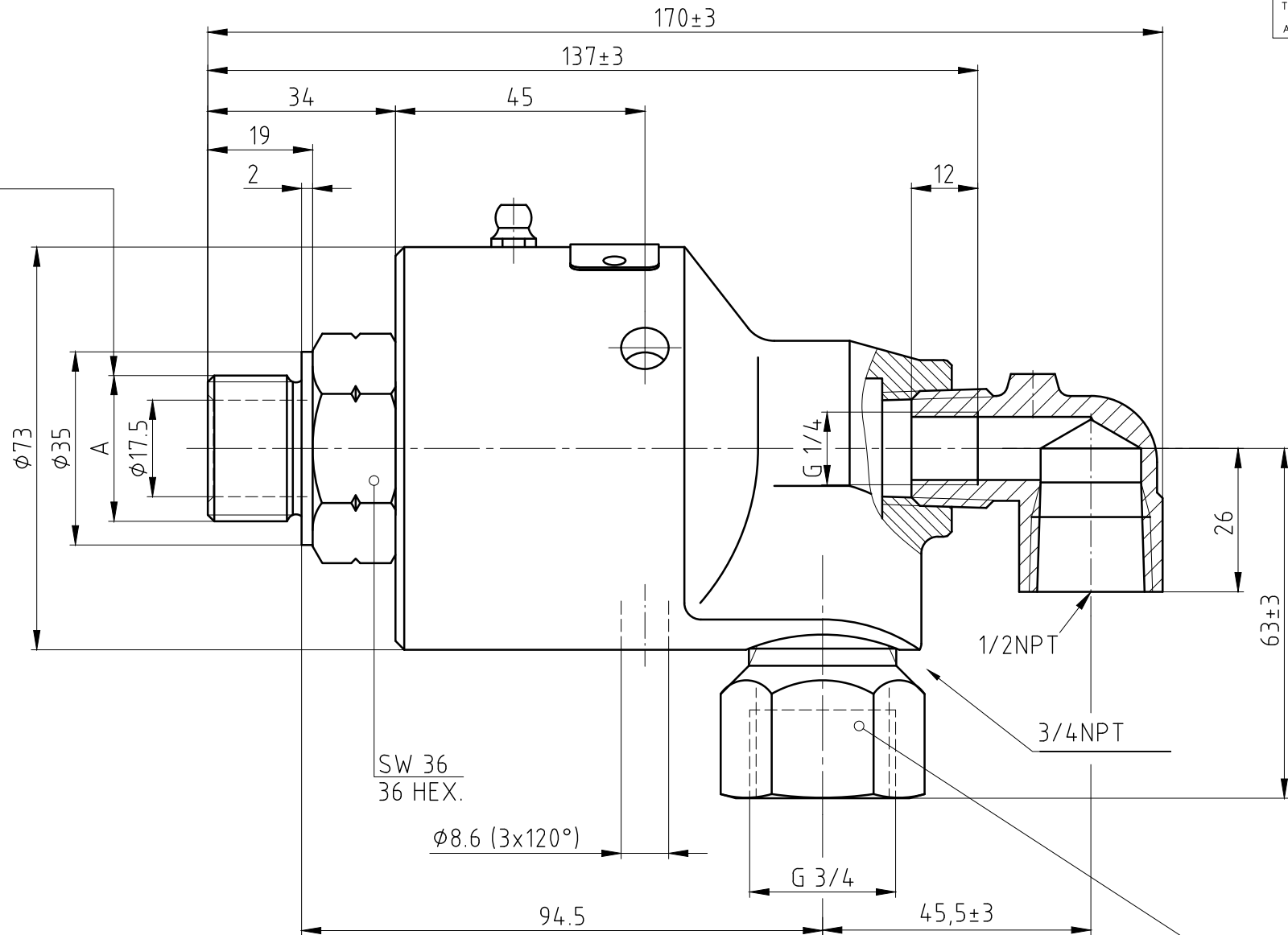


CONFIDENTIAL
 THIS DOCUMENT CONTAINS CONFIDENTIAL AND PROPRIETARY INFORMATION OF DEUBLIN COMPANY. COPYING, USE, TRANSMISSION, DISTRIBUTION, AND DISCLOSURE ARE SUBJECT TO THE TERMS AND CONDITIONS CONTAINED IN YOUR AGREEMENT WITH DEUBLIN COMPANY. ALL RIGHTS RESERVED.

ROTOR THREAD Rotorgewinde A	RTR.	ORDERING NO. Bestell-Nr.
G 3/4 A RH	-284	255-000-284-368
G 3/4 A LH	-285	255-000-285-368



Anschlußstutzen 6301-055 (SW 32) gehört nicht zum Lieferumfang
 ADAPTER 6301-055 (32 HEX.) NOT SUPPLIED WITH THE UNION

OPERATING DATA / Betriebsdaten

MEDIA Medium	WATER	Wasser	SATURATED STEAM	Sattdampf	HOT OIL	Thermoöl
MAXIMUM PRESSURE Max. Druck	750 PSI*	50 bar*	14 PSI (INTERMITTENT)	1 bar (kurzzeitig)	100 PSI	6.5 bar
MINIMUM OPERATING TEMPERATURE Min. Betriebstemperatur	°F	°C	°F	°C	°F	°C
MAXIMUM OPERATING TEMPERATURE Max. Betriebstemperatur	250 °F	120 °C	250 °F	120 °C	250 °F	120 °C
MAXIMUM SPEED Max. Drehzahl	3500 RPM	3500 min ⁻¹	3500 RPM	3500 min ⁻¹	3500 RPM	3500 min ⁻¹
FILTRATION Filterung	60 µm	60 µm	60 µm	60 µm	60 µm	60 µm
DRY RUN (WITHOUT ANY MEDIA) Trockenlauf (ohne Medium)	NO	nein	NO	nein	NO	nein

* PRESSURES EXCEEDING 115 PSI ONLY PERMISSABLE WITH COLD WATER (MAX. 120°F)!
 * Drücke über 8 bar nur in Verbindung mit Kaltwasser (max. 50°C) zulässig!

DEUBLIN GmbH D-65719 HOFHEIM-WALLAU, GERMANY		PROJECTION: 	SCALE: 1:1 MATERIAL:
DATE: 21.02.2006 NAME: C. Wolf		TITLE: DEUBLIN ROTATING UNION DEUBLIN Drehdurchführung	
DRN. 21.02.2006 ENGR. H.J. Huhn		NO. 255-000-RTR-368-DD	
APPD.		SHEET	
a Redrawn/Operat. Data ISSUE MODIFICATION ECO DATE SIGN	06034 21.02.06 Wolf	UNLESS SPECIFICALLY TOLERANCED, ALL DIMENSIONS ARE CONSIDERED REFERENCE	