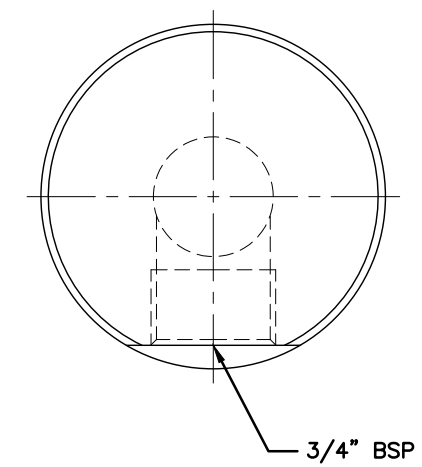
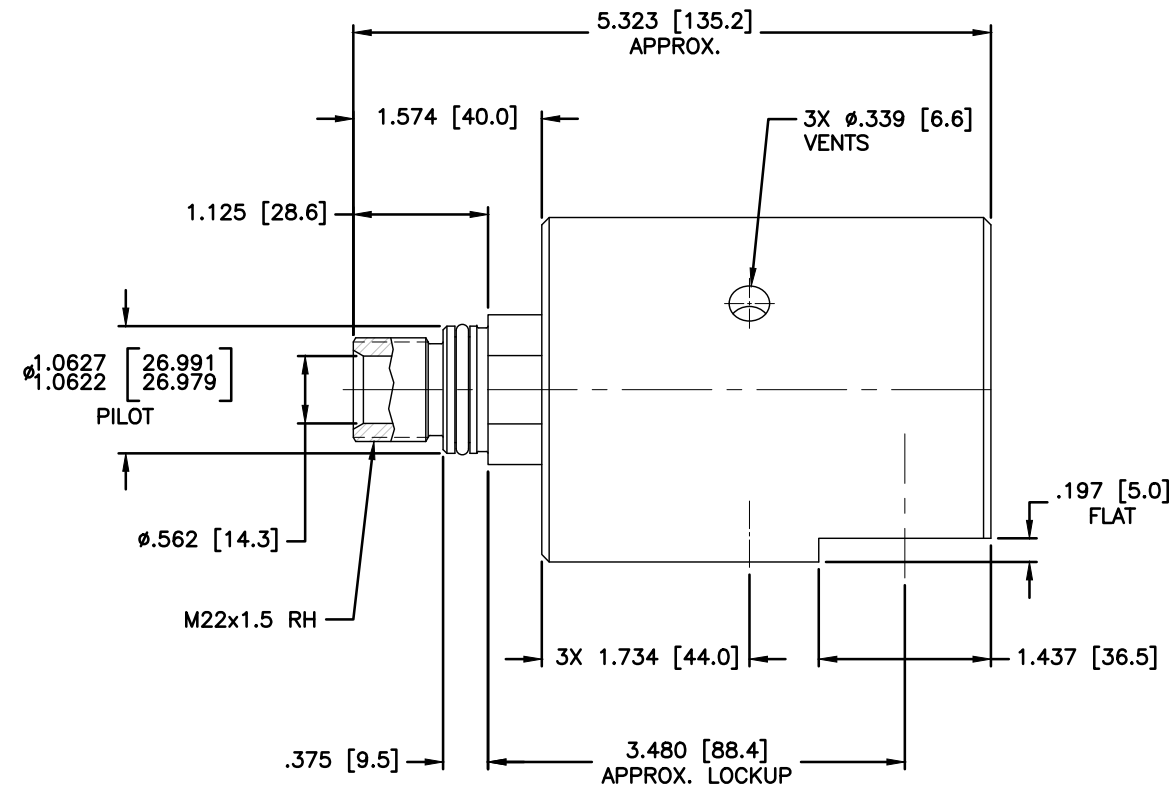
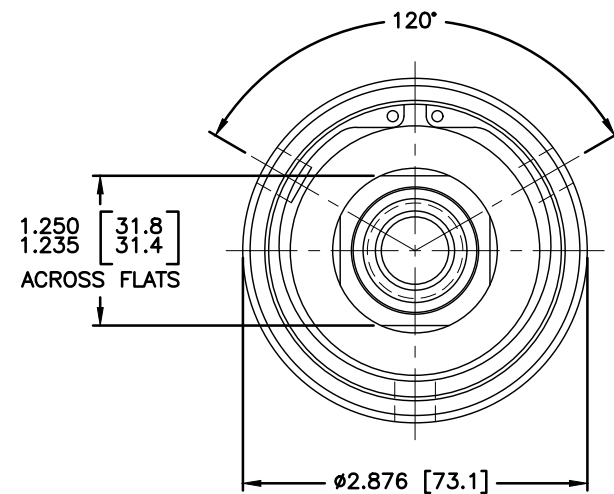


CONFIDENTIAL  
 THIS DOCUMENT CONTAINS CONFIDENTIAL AND PROPRIETARY INFORMATION OF DEUBLIN COMPANY. COPYING, USE, TRANSMISSION, DISTRIBUTION, AND DISCLOSURE ARE SUBJECT TO THE TERMS AND CONDITIONS CONTAINED IN YOUR AGREEMENT WITH DEUBLIN COMPANY. ALL RIGHTS RESERVED.

NOTES:

1 - WHEN ORDERING FROM DEUBLIN USE PART NUMBER: 250-059-324.



**OPERATING DATA:**  
**COOLANT SERVICE**  
 500 PSI (35 bar) MAX. HYDRAULIC PRESSURE  
 250°F (121°C) MAX. TEMPERATURE  
 3500 RPM (3500/min) MAX. SPEED

SCALE	1:1	DWG NO.	B
DATE	NR	04/25/06	
ENGR.			
APPD.			
PART NO.	250-059-324		
CUSTOMER			
LET.	REVISION	ECO	DATE SIGN

UNLESS SPECIFICALLY TOLERANCED, ALL DIMENSIONS ARE REFERENCE DIMENSIONS IN [ ] ARE IN MILLIMETERS.

**DEUBLIN COMPANY**  
 WAUKEGAN, ILLINOIS, U.S.A.

TITLE: INTERFACE CONTROL DRAWING OF DEUBLIN UNION 250-059-324

DWG NO. 250-059-324-IC