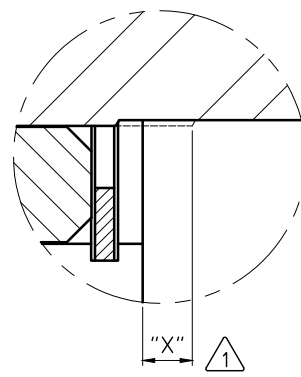
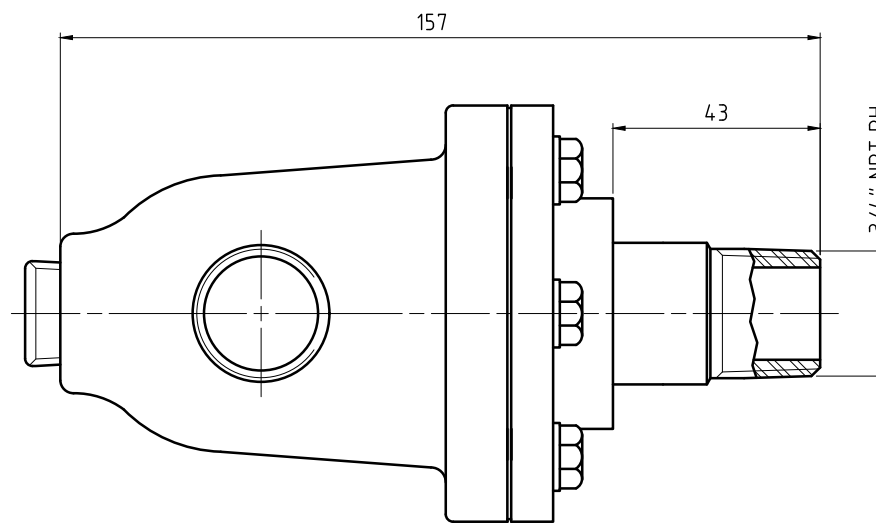
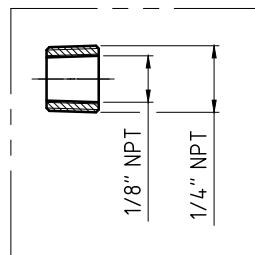
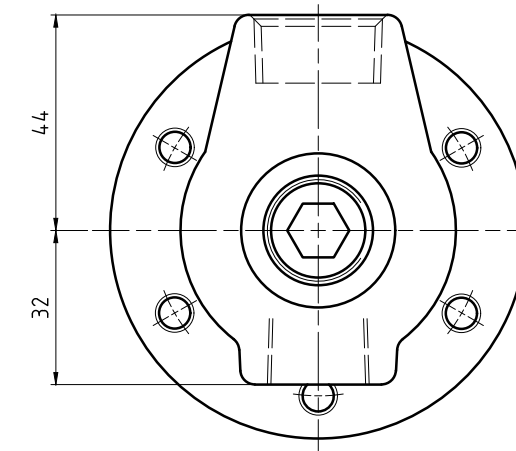
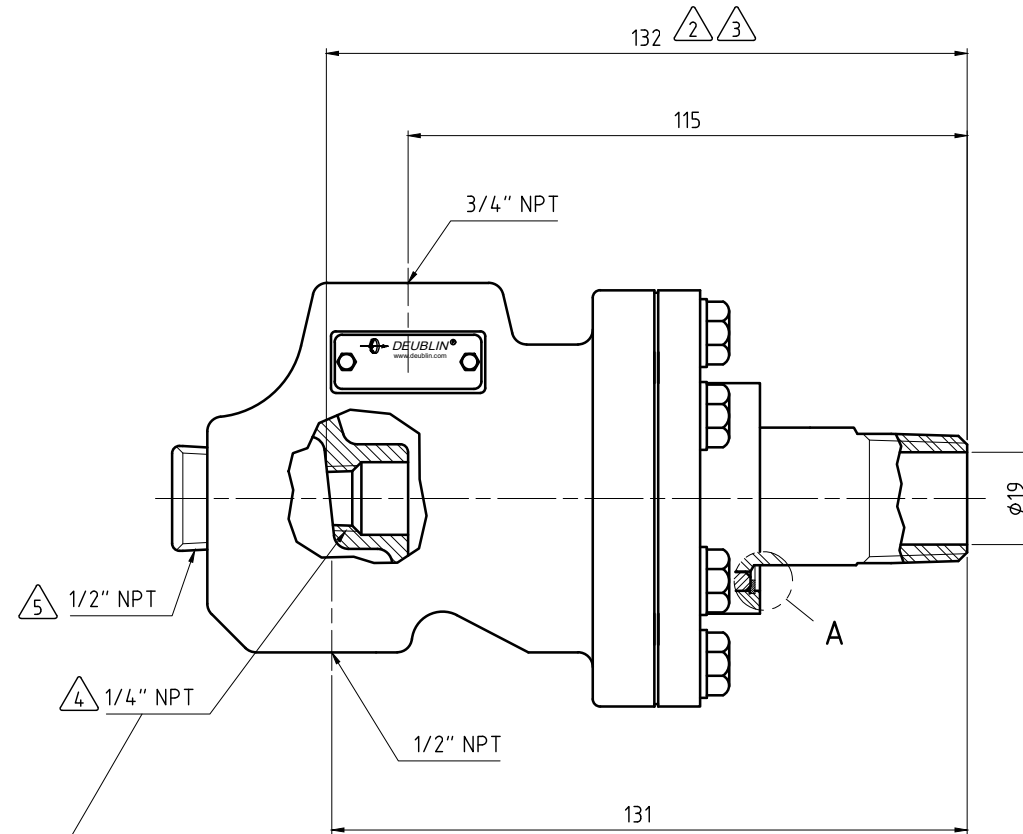
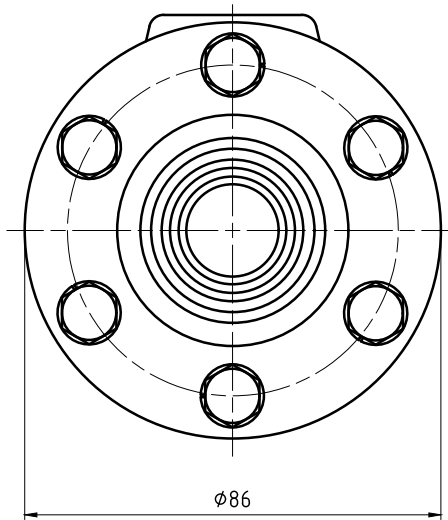


NOTES:

- ① - SEAL MUST BE REPLACED WHEN "X" DIMENSION EXCEEDS 4.8mm. CONTACT DEUBLIN FOR APPROPRIATE SERVICE KIT.
- ② - PIPE LENGTH INTO UNION.
- ③ - PIPE SUPPLIED BY CUSTOMER.
- ④ - OPTIONAL SIPHON INSERT INCLUDED.
- ⑤ - PLUG INSTALLED HAND TIGHT FROM FACTORY. IF PORT IS NOT UTILIZED, TIGHTEN BEFORE USE.



SEAL WEAR DETAIL

A (5:1)

		PROJECTION:		SCALE: 1:1
		MATERIAL:		INTERFACE CONTROL DRAWING
		DATE	NAME	TITLE:
		DRN. 10/08/13	N. Reyna	UNION TYPE C DUOFLOW
		ENGR. 10/08/13	L. Freed	
		APPD.		
UNLESS SPECIFICALLY TOLERANCED, ALL DIMENSIONS ARE CONSIDERED REFERENCE				NO. BC-54065-12-50
ISSUE	MODIFICATION	ECO	DATE	SIGN
				SHEET A2