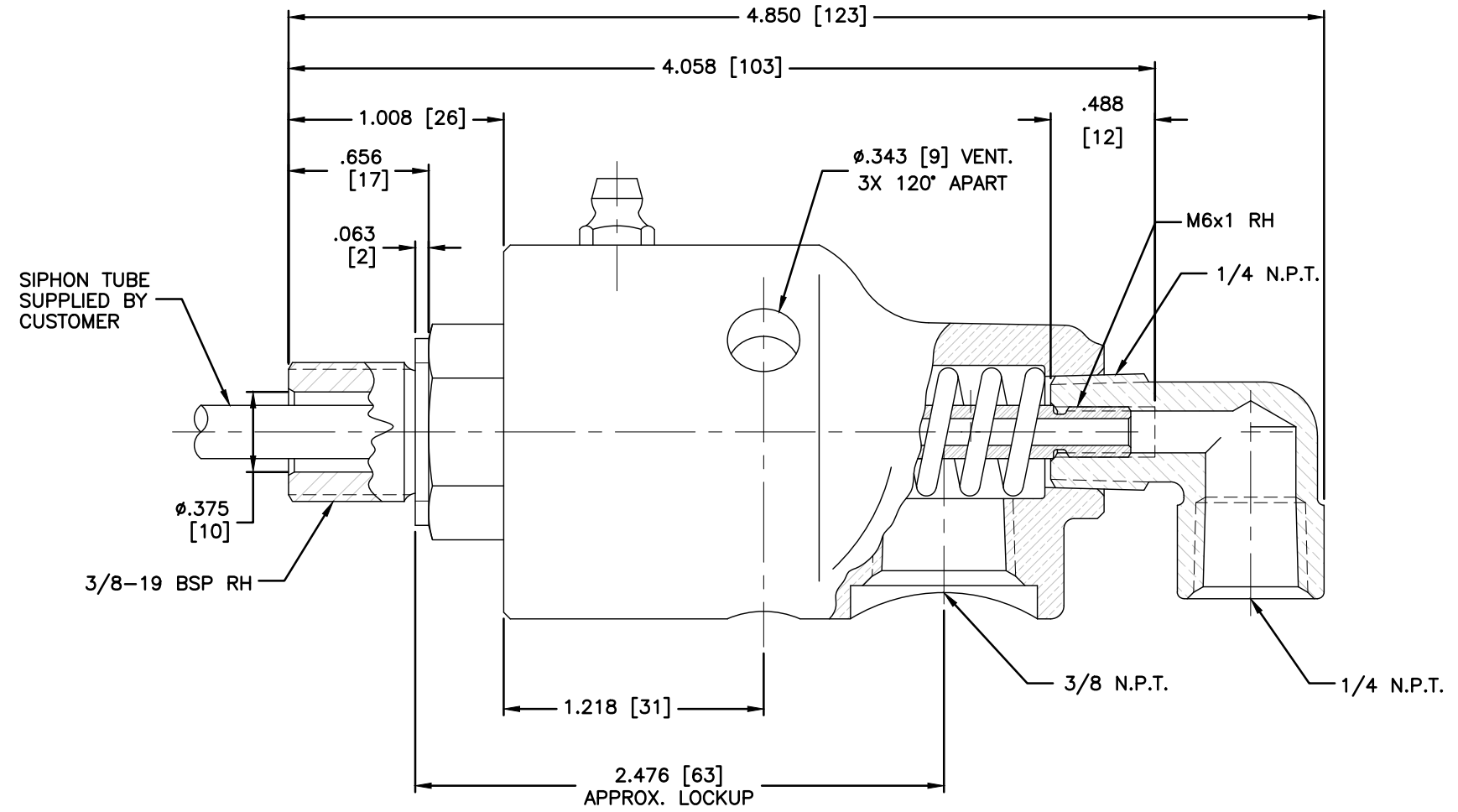
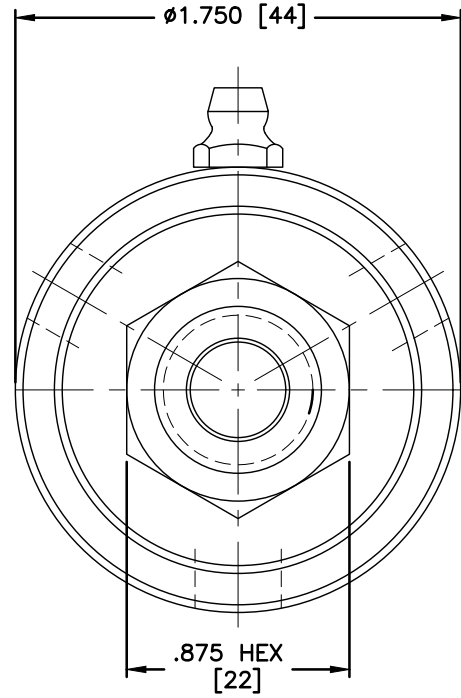


NOTES:

1 - WHEN ORDERING FROM DEUBLIN USE PART NUMBER: 55-000-094-120.

DWG. NO.
55-000-094-120-IC



CONFIDENTIAL
THIS DOCUMENT CONTAINS CONFIDENTIAL AND PROPRIETARY INFORMATION OF DEUBLIN COMPANY. COPYING, USE, TRANSMISSION, DISTRIBUTION, AND DISCLOSURE ARE SUBJECT TO THE TERMS AND CONDITIONS CONTAINED IN YOUR AGREEMENT WITH DEUBLIN COMPANY. ALL RIGHTS RESERVED.

SCALE	2:1	DWG SIZE	C
DRN	RM	03/17/03	
ENGR	ARS	03/17/03	
APPD	ARS	03/17/03	
PART NO.	55-000-094-120		
CUSTOMER			
LET.	REVISION	ECO	DATE SIGN

UNLESS SPECIFICALLY TOLERANCED, ALL DIMENSIONS ARE REFERENCE
DIMENSIONS IN [] ARE IN MILLIMETERS.

DEUBLIN COMPANY
WAUKEGAN, ILLINOIS, U.S.A.

TITLE: INTERFACE CONTROL
DRAWING FOR DEUBLIN
UNION 55-000-094-120

DWG. NO. 55-000-094-120-IC
C.A.D. DRAWING