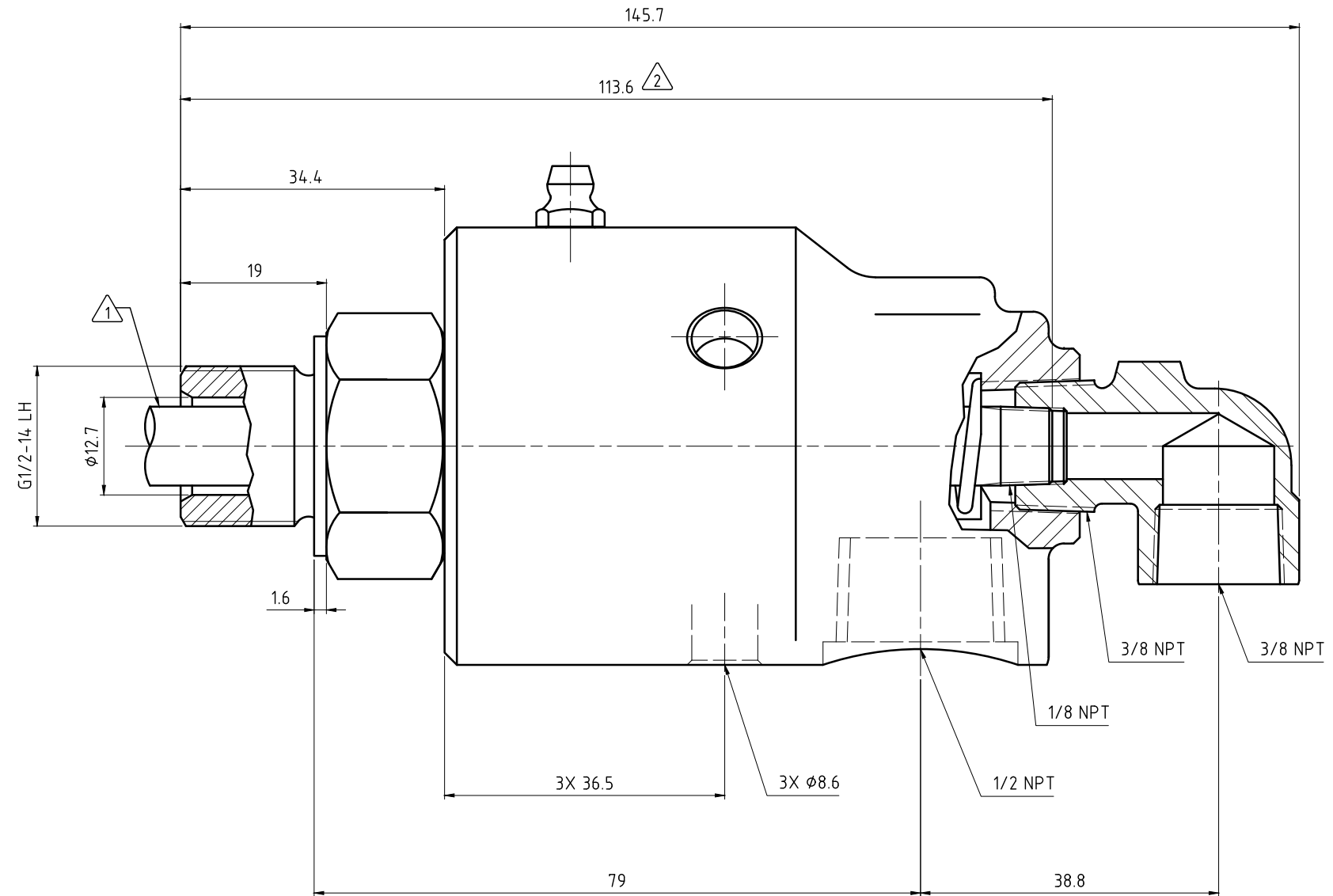
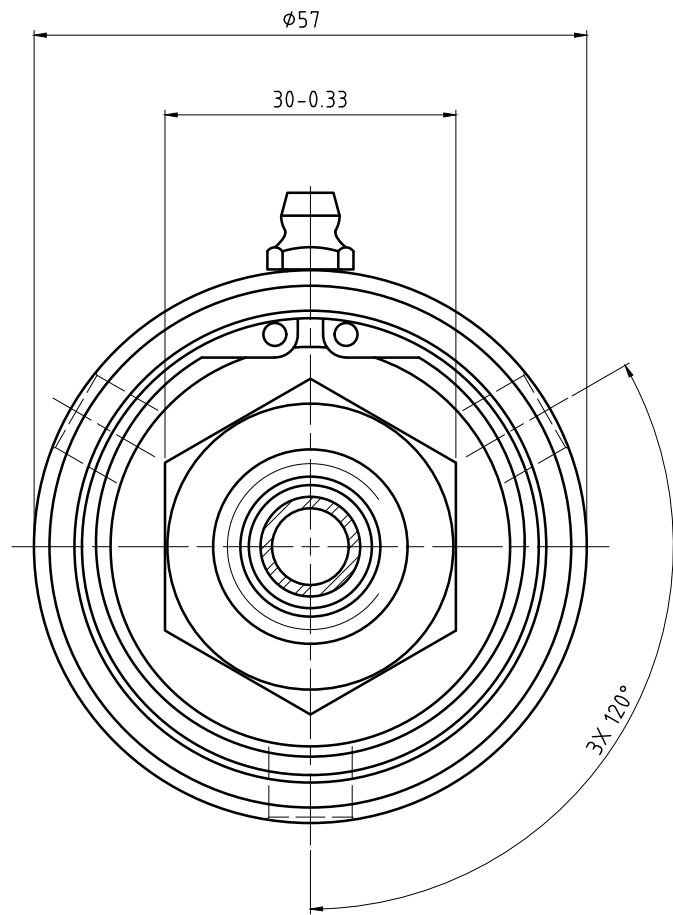


CONFIDENTIAL
 THIS DOCUMENT CONTAINS CONFIDENTIAL AND PROPRIETARY
 INFORMATION OF DEUBLIN COMPANY. COPYING, USE,
 TRANSMISSION, DISTRIBUTION, AND DISCLOSURE ARE SUBJECT
 TO THE TERMS AND CONDITIONS CONTAINED IN YOUR
 AGREEMENT WITH DEUBLIN COMPANY. ALL RIGHTS RESERVED.

NOTES:

- ① - PIPE SUPPLIED BY CUSTOMER. PIPE SIZE: 1/8
- ② - PIPE LENGTH.



| OPERATING DATA | | |
|--------------------|----------|----------|
| MEDIA | WATER | |
| MAX WATER PRESSURE | 750 PSI | 51 bar |
| MAX WATER TEMP. | 250°F | 121°C |
| MAX SPEED | 1000 RPM | 1000/min |

| | | | |
|-------|--------------|---|---|
| | | PROJECTION: | SCALE: 2:1 MATERIAL: INTERFACE CONTROL DRAWING |
| | | DATE: 08/18/11 NAME: N. Reyna DRN: 08/18/11 ENGR: 08/18/11 APPD: E. Lovejoy | TITLE: DEUBLIN UNION |
| | | NO. 155-000-152012 | SHEET A2 |
| ISSUE | MODIFICATION | ECO | DATE |
| | | | SIGN |

UNLESS SPECIFICALLY TOLERANCED, ALL DIMENSIONS ARE CONSIDERED REFERENCE