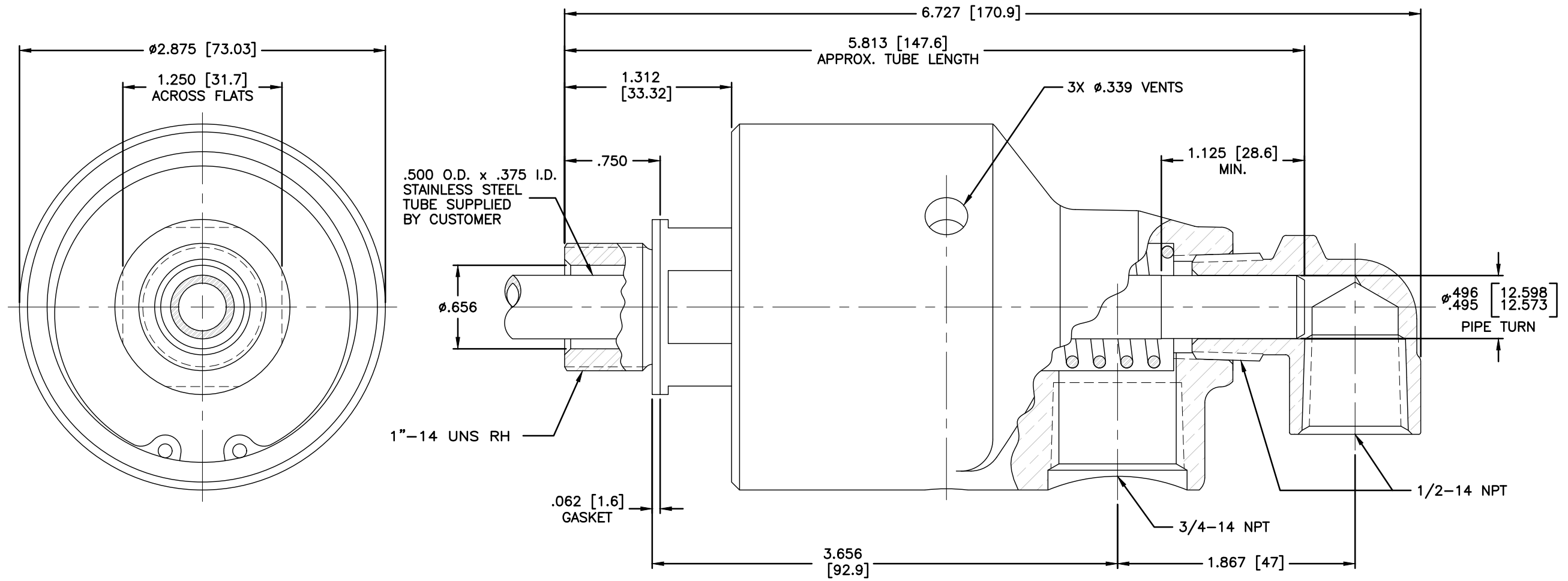


NOTES:

1 - WHEN ORDERING FROM DEUBLIN USE PART NUMBER: 255-000-003-075.



CONFIDENTIAL
 THIS DOCUMENT CONTAINS PROPRIETARY INFORMATION AND IS NOT TO BE TRANSMITTED, REPRODUCED, USED OR DISCLOSED TO ANYONE WITHOUT THE WRITTEN PERMISSION OF THE DEUBLIN COMPANY.



LET.	REVISION	ECO	DATE	SIGN

EQUIPMENT REF:

ASSY/TEST FIXTURES REQUIRED:

SCALE	1.66:1	DWG SIZE	C
DRN	RM	09/25/03	
ENGR	ARS	09/25/03	
APPD	ARS	09/25/03	

TITLE: INTERFACE CONTROL
 DRAWING FOR DEUBLIN UNION
 255-000-003-075-IC
 NO. 255-000-003-075-IC
 C.A.D. DRAWING

UNLESS OTHERWISE SPECIFIED TOLERANCES $\pm .010$. DIMENSIONS IN [] ARE IN MILLIMETERS.