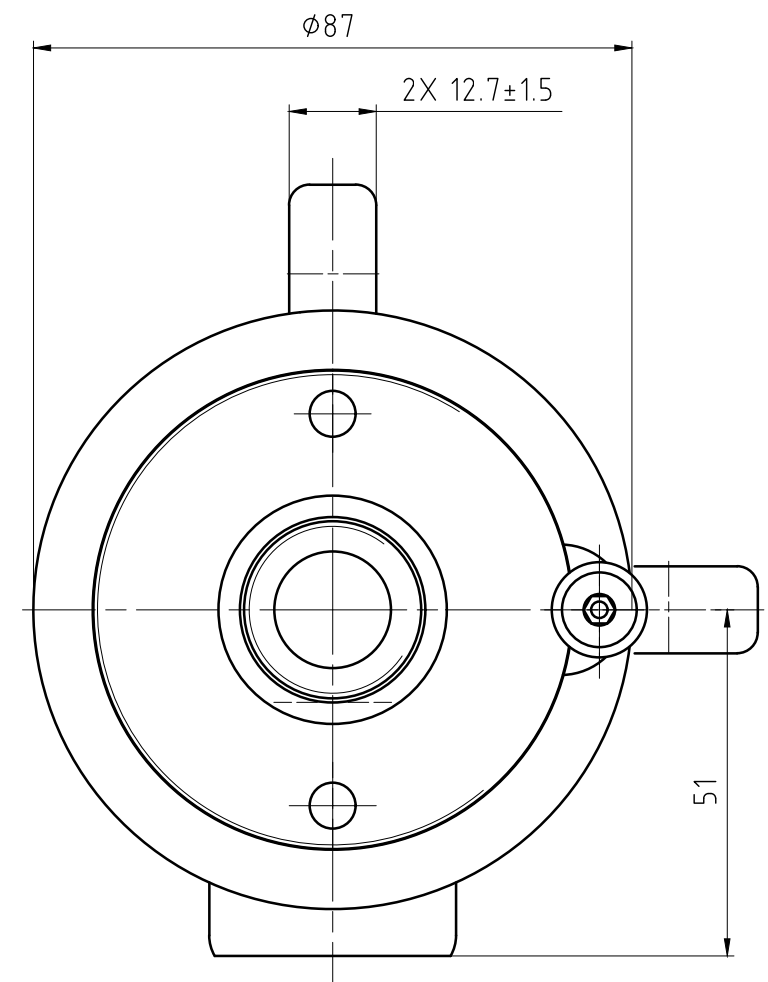
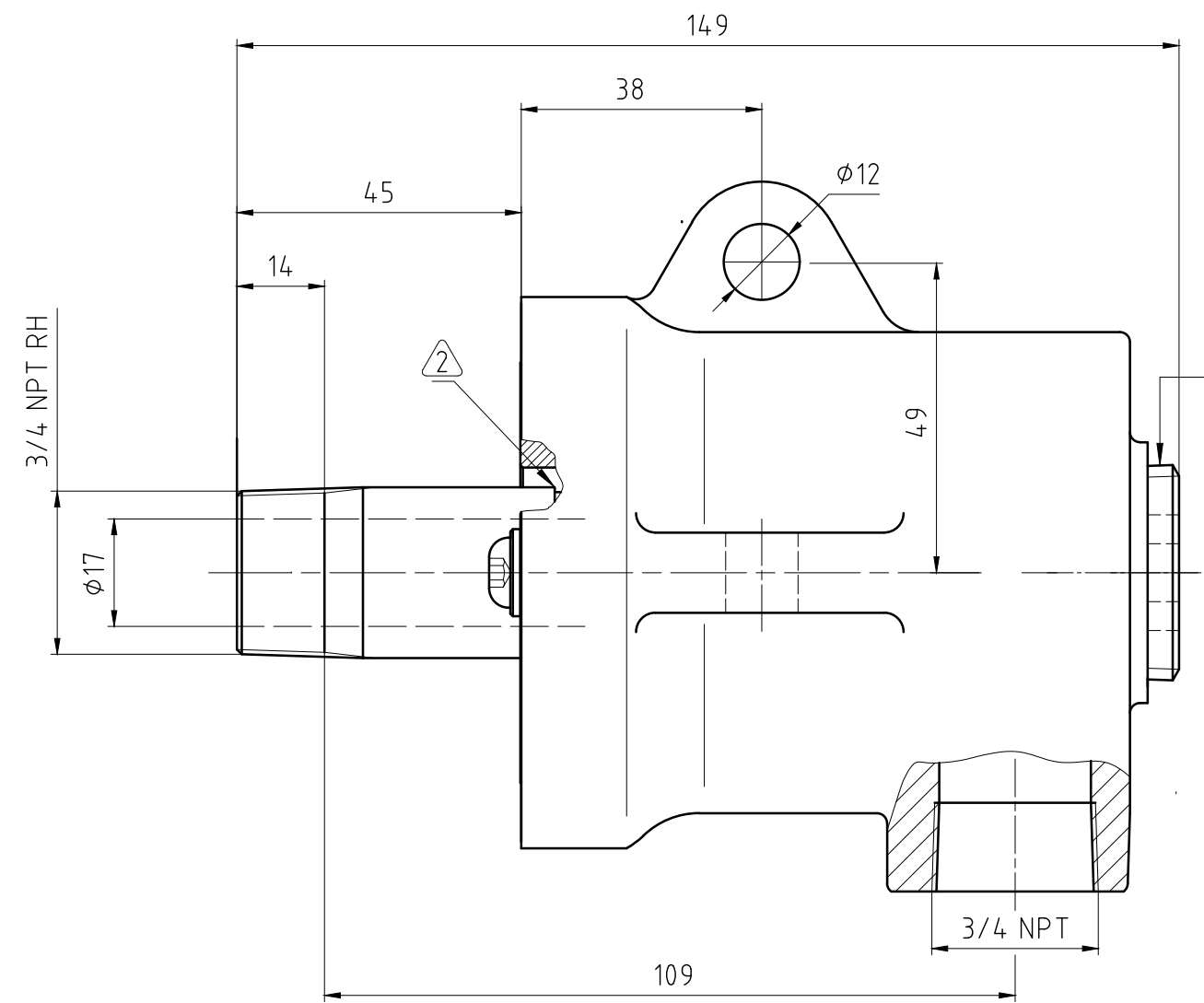


CONFIDENTIAL
 THIS DOCUMENT CONTAINS CONFIDENTIAL AND PROPRIETARY INFORMATION OF DEUBLIN COMPANY. COPYING, USE, TRANSMISSION, DISTRIBUTION, AND DISCLOSURE ARE SUBJECT TO THE TERMS AND CONDITIONS CONTAINED IN YOUR AGREEMENT WITH DEUBLIN COMPANY. ALL RIGHTS RESERVED.

NOTES:

- 1 - CONTACT DEUBLIN OR VISIT WWW.DEUBLIN.COM FOR INSTRUCTION MANUAL: 040-573
- ⚠️ - WEAR MARK
- 3 - OPERATION AT MAXIMUM PRESSURE COMBINED WITH MAXIMUM SPEED SHOULD BE AVOIDED.
- ⚠️ - ~~WIDENING OF PORT~~ TIGHTEN BEFORE USE.



OPERATING DATA	
MEDIA	HOT OIL
MAX. PRESSURE	7 bar
MAX. TEMPERATURE	230 °C
MAX. SPEED	400 1/min

		PROJECTION:	SCALE: 1:1
		DATE: 17.04.2012 NAME: CW	MATERIAL: INTERFACE CONTROL DRAWING
		ENGR. 17.04.2012 NAME: FD	TITLE: DEUBLIN ROTATING UNION DEUBLIN Drehdurchführung
		APPD.	NO. 9075-020-124
A REDRAW/UPDATE TO IMS 017846 04/12 CW ISSUE MODIFICATION ECO DATE SIGN	UNLESS SPECIFICALLY TOLERANCED, ALL DIMENSIONS ARE CONSIDERED REFERENCE		SHEET A3