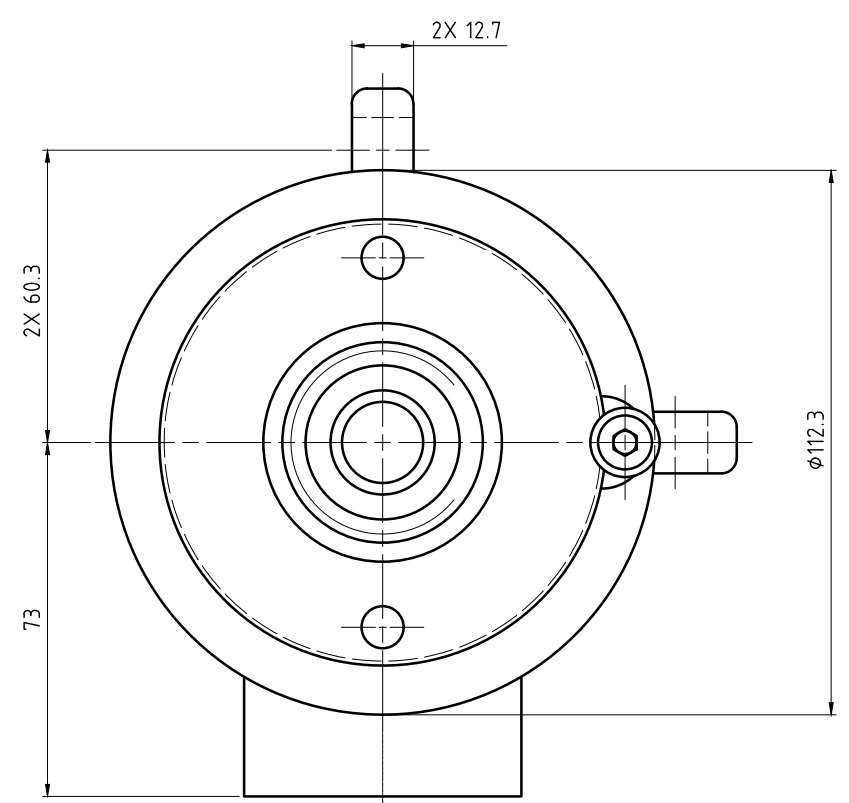
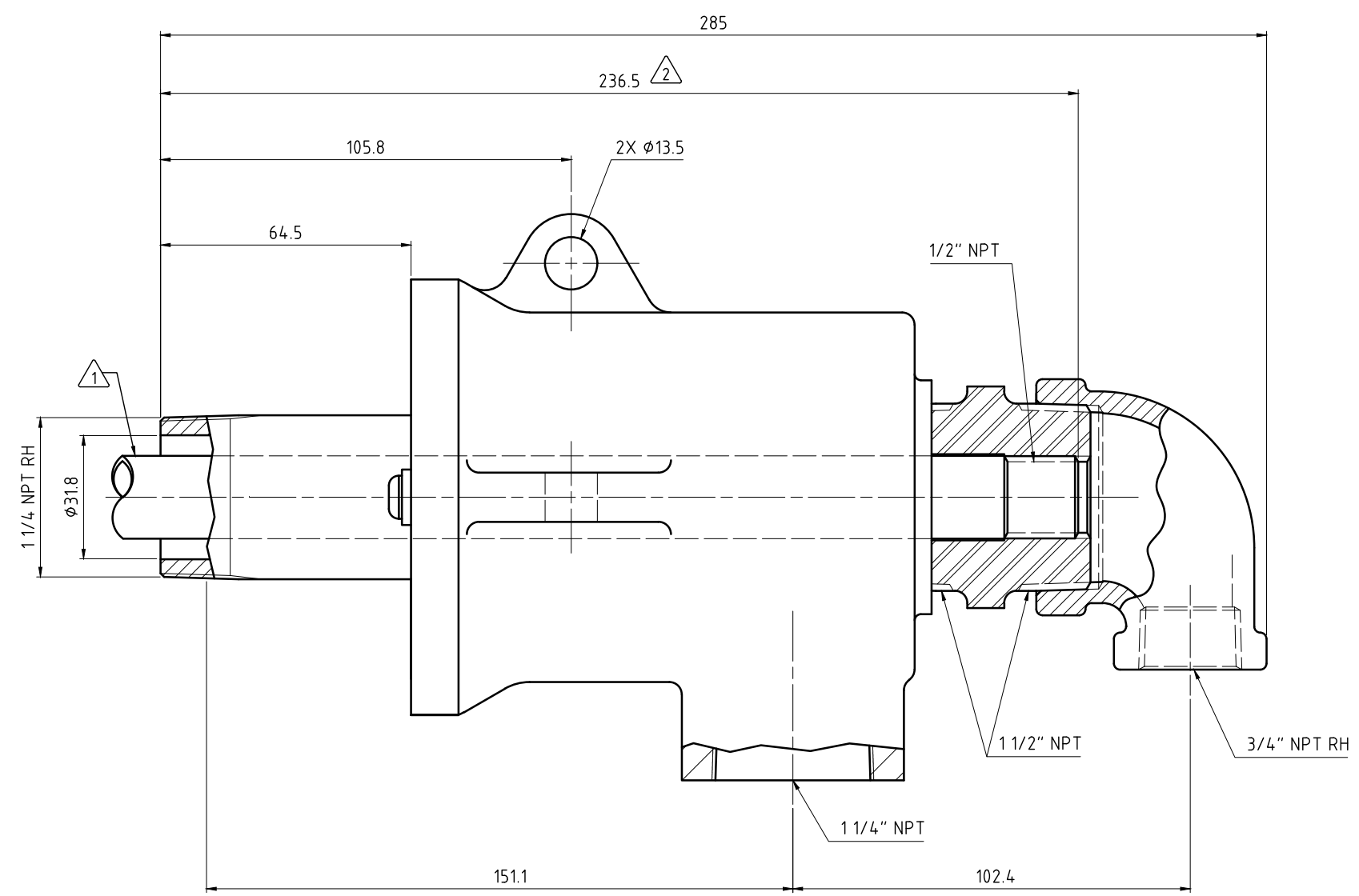


CONFIDENTIAL
 THIS DOCUMENT CONTAINS CONFIDENTIAL AND PROPRIETARY
 INFORMATION OF DEUBLIN COMPANY. COPYING, USE,
 TRANSMISSION, DISTRIBUTION, AND DISCLOSURE ARE SUBJECT
 TO THE TERMS AND CONDITIONS CONTAINED IN YOUR
 AGREEMENT WITH DEUBLIN COMPANY. ALL RIGHTS RESERVED.

NOTES:

- ① - PIPE SUPPLIED BY CUSTOMER. PIPE SIZE: 1/2" (21.34 mm)
- ② - PIPE LENGTH.



OPERATING DATA		
MEDIA	SATURATED STEAM	
MAX PRESSURE	150 PSI	10 bar
MAX SPEED	400 RPM	400/min
MAX TEMPERATURE	365°F	185°C

		PROJECTION:	SCALE: 1:1
			MATERIAL: NTERFACE CONTROL DRAWING
		DATE	NAME
		DRN. 03/19/12	N. Reyna
		ENGR. 03/19/12	T. Wilson
		APPD.	
UNLESS SPECIFICALLY TOLERANCED, ALL DIMENSIONS ARE CONSIDERED REFERENCE			TITLE: DEUBLIN UNION
NO. 9125-001-109400			SHEET A2
ISSUE	MODIFICATION	ECO	DATE
			SIGN