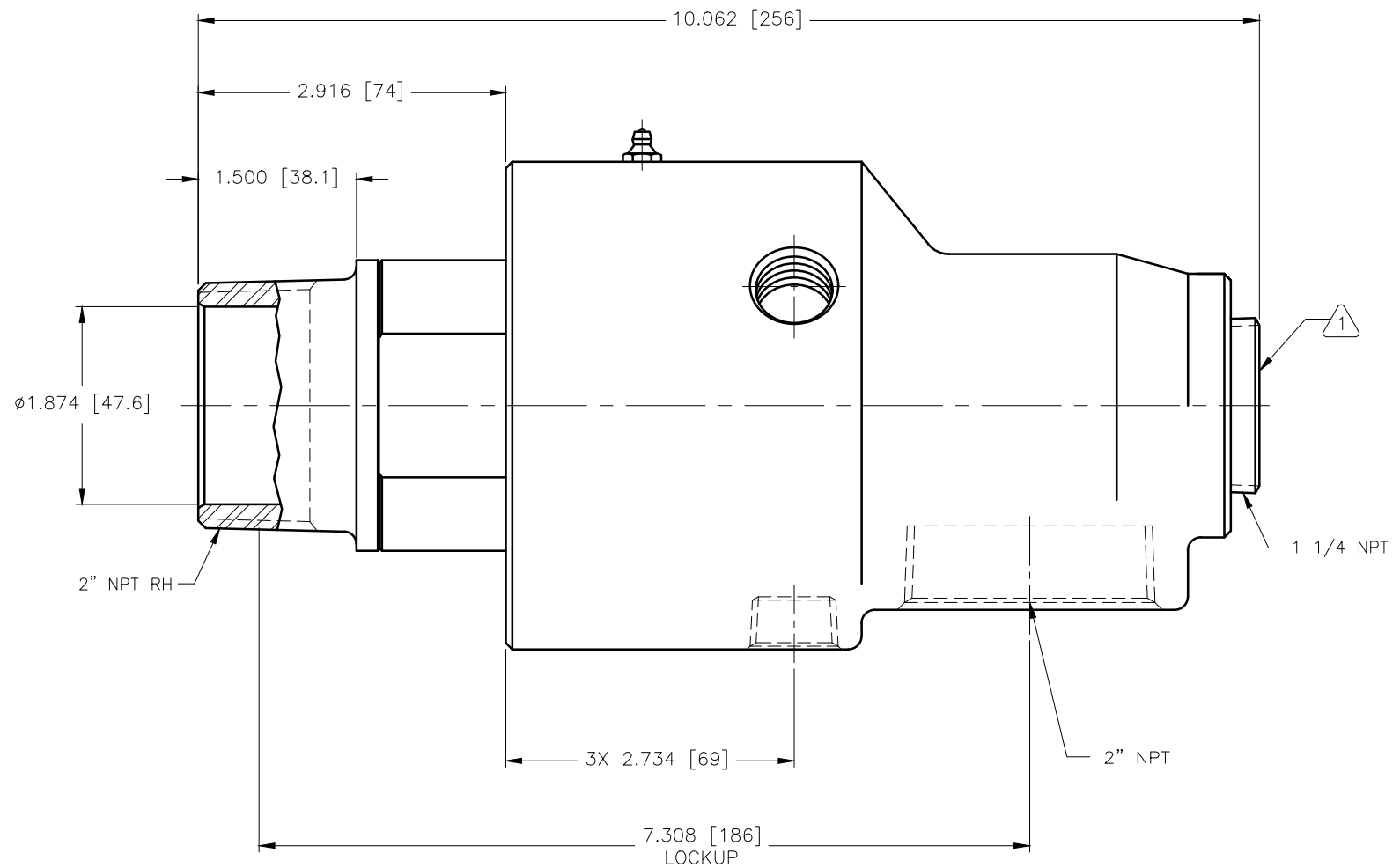
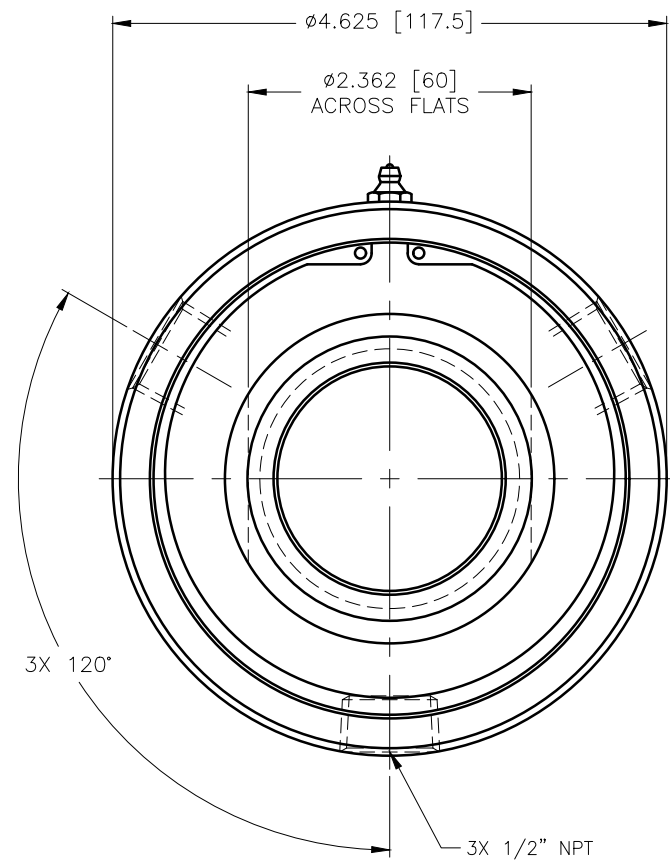


NOTES:

① - PLUG INSTALLED HAND TIGHT FROM FACTORY. IF PORT IS NOT UTILIZED, TIGHTEN BEFORE USE.

CONFIDENTIAL  
THIS DOCUMENT CONTAINS CONFIDENTIAL AND PROPRIETARY INFORMATION OF DEUBLIN COMPANY. COPYING, USE, TRANSMISSION, DISTRIBUTION, AND DISCLOSURE ARE SUBJECT TO THE TERMS AND CONDITIONS CONTAINED IN YOUR AGREEMENT WITH DEUBLIN COMPANY. ALL RIGHTS RESERVED.



OPERATING DATA

MEDIA	WATER	
MAX WATER PRESSURE	600 PSI	41 bar
MAX WATER TEMP.	250°F	121°C
MAX SPEED	750 RPM	750/min

SCALE	1 = 1	DWG SIZE
DRN	NR	09/14/10
ENGR	TW	09/14/10
APPD	TW	09/14/10
PART NO.	655-634-116	
CUSTOMER		
LET.	REVISION	ECO DATE SIGN

UNLESS SPECIFICALLY TOLERANCED, ALL DIMENSIONS ARE REFERENCE DIMENSIONS IN [ ] ARE IN MILLIMETERS.

**DEUBLIN** COMPANY  
WAUKEGAN, ILLINOIS, U.S.A.

TITLE: INTERFACE CONTROL  
DRAWING OF DEUBLIN  
UNION 655-634-116

DWG NO. 655-634-116  
C.A.D. DRAWING