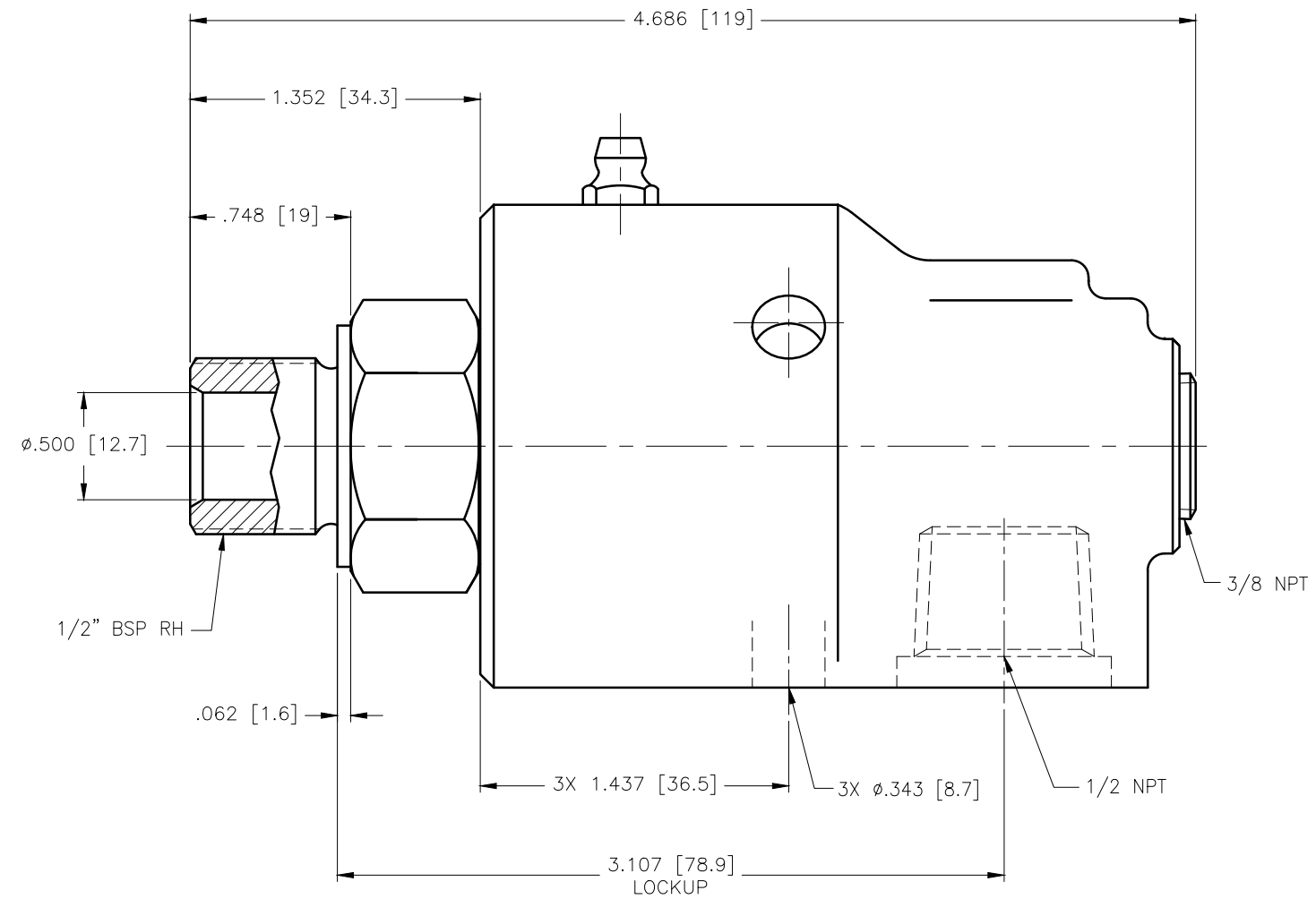
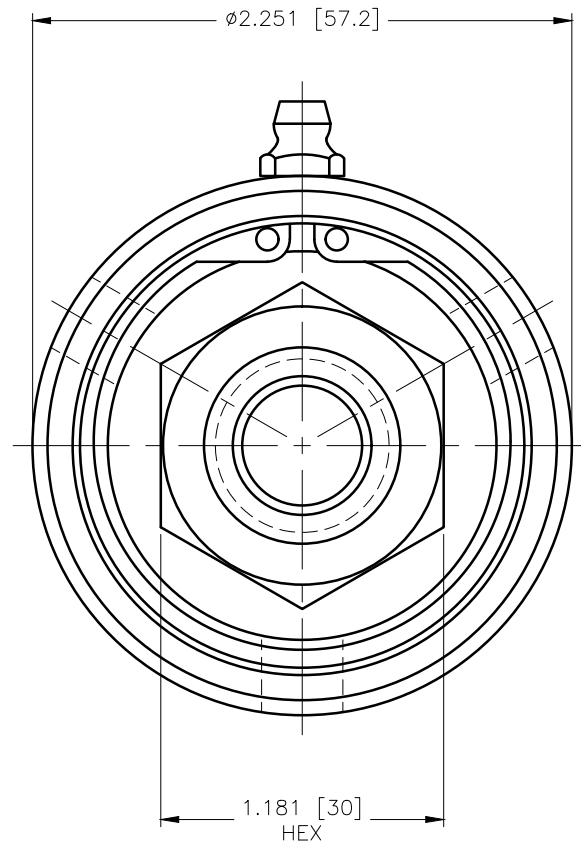


CONFIDENTIAL
 THIS DOCUMENT CONTAINS CONFIDENTIAL AND PROPRIETARY INFORMATION OF DEUBLIN COMPANY. COPYING, USE, TRANSMISSION, DISTRIBUTION, AND DISCLOSURE ARE SUBJECT TO THE TERMS AND CONDITIONS CONTAINED IN YOUR AGREEMENT WITH DEUBLIN COMPANY. ALL RIGHTS RESERVED.



OPERATING DATA		
MEDIA	WATER	
MAX WATER PRESSURE	750 PSI	51 bar
MAX WATER TEMP.	250°F	121°C
MAX SPEED	3500 RPM	3500/min

SCALE	2:1	DWG SIZE	
DRN	NR	06/02/09	
ENGR	TW	06/02/09	
APPD	TW	06/02/09	
PART NO.	155-000-151		
CUSTOMER			
LET.	REVISION	ECO	DATE SIGN

UNLESS SPECIFICALLY TOLERANCED, ALL DIMENSIONS ARE REFERENCE
 DIMENSIONS IN [] ARE IN MILLIMETERS.

DEUBLIN COMPANY
 WAUKEGAN, ILLINOIS, U.S.A.

TITLE: INTERFACE CONTROL
 DRAWING OF DEUBLIN
 UNION 155-000-151

DWG NO. 155-000-151
 C.A.D. DRAWING