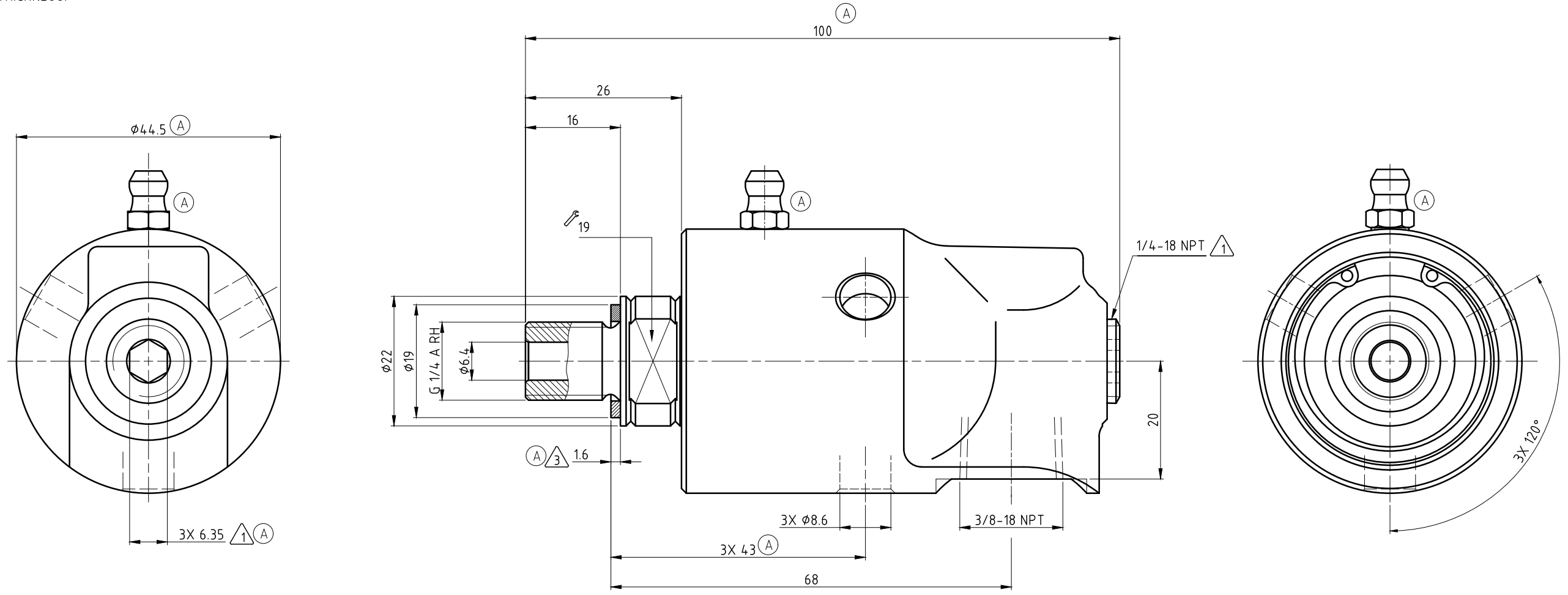


CONFIDENTIAL
 The reproduction, distribution and utilization of this document as well as the communication of its contents to others without express authorization is prohibited. Offenders will be held liable for the payment of damages. All rights reserved in the event of the grant of a patent, utility model or design.

- NOTES:
- ① - PLUG INSTALLED HAND TIGHT FROM FACTORY. IF PORT IS NOT UTILIZED, TIGHTEN BEFORE USE.
 - ② - CONTACT DEUBLIN OR VISIT WWW.DEUBLIN.COM FOR INSTRUCTION MANUAL: 040-550
 - ③ - GASKET THICKNESS.



OPERATING DATA

MEDIA	WATER	SATURATED STEAM (INTERMITTENT)	THERMAL OIL
PRESSURE MAX.	50 bar	1 bar	6.6 bar
SPEED MAX.	3500 min ⁻¹		
TEMPERATURE MAX.	120 °C		
DRY RUN (WITHOUT ANY MEDIA)	NO		
RECOMMENDED FILTRATION	60 micron		

		PROJECTION:	SCALE: 2:1
		DATE	MATERIAL: INTERFACE CONTROL DRAWING
		NAME	TITLE: DEUBLIN UNION
		DRN. 25.07.2018 MKI	NO. 57-000-677
		ENGR. 25.07.2018 CW	
		APPD.	
A	SEEED 057230 08/20 MTS	UNLESS SPECIFICALLY TOLERANCED, ALL DIMENSIONS ARE CONSIDERED REFERENCE	
	ISSUE/MODIFICATION ECO DATE SIGN	SHEET A2	