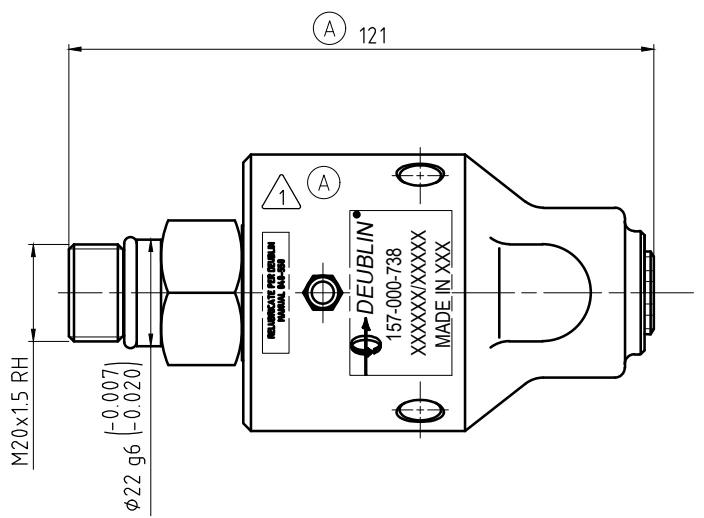
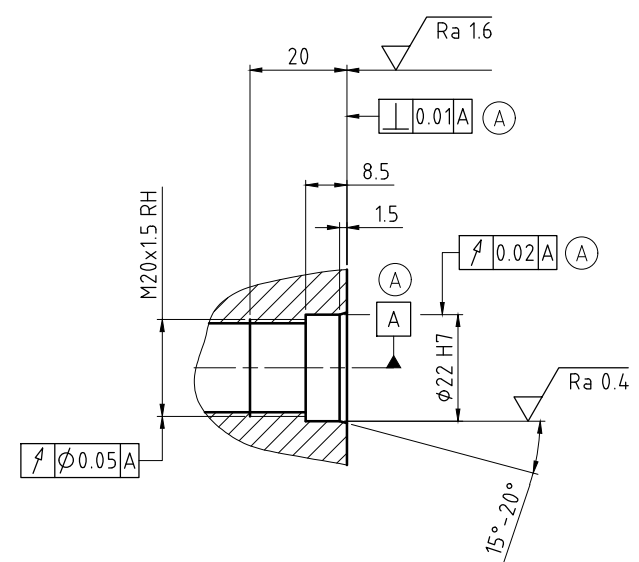
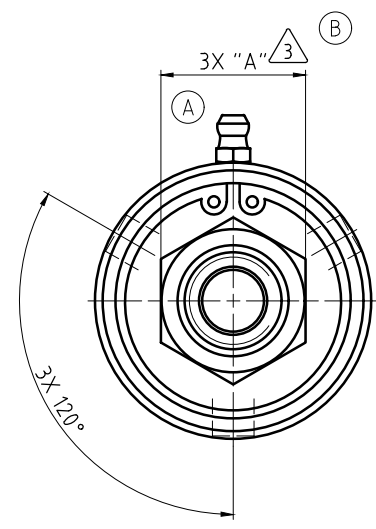
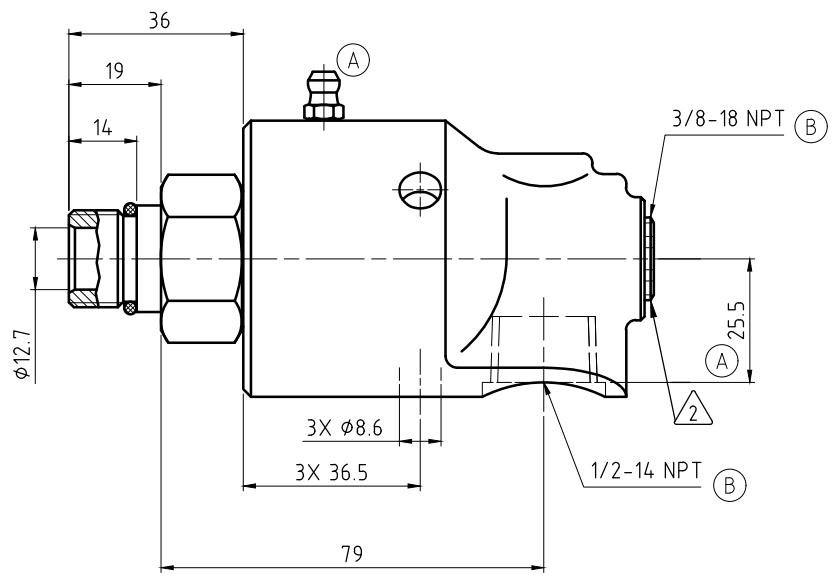
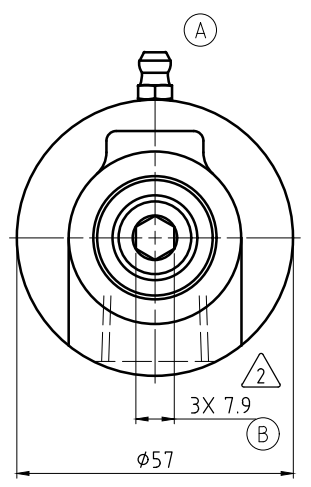


CONFIDENTIAL  
 THIS DOCUMENT CONTAINS CONFIDENTIAL AND PROPRIETARY INFORMATION OF DEUBLIN COMPANY. COPYING, USE, TRANSMISSION, DISTRIBUTION, AND DISCLOSURE ARE SUBJECT TO THE TERMS AND CONDITIONS CONTAINED IN YOUR AGREEMENT WITH DEUBLIN COMPANY. ALL RIGHTS RESERVED.

**NOTES:**

- 1 - CONTACT DEUBLIN OR VISIT [WWW.DEUBLIN.COM](http://WWW.DEUBLIN.COM) FOR INSTRUCTION MANUAL: 040-550
- 2 - PLUG INSTALLED HAND TIGHT FROM FACTORY. IF PORT IS NOT UTILIZED, TIGHTEN BEFORE USE.
- 3 - DEPENDING ON COUNTRY OF ORIGIN, HEX STOCK MAY VARY AS NOTED. SEE TABLE FOR ACCEPTABLE WRENCH SIZES.



OPERATING DATA			
MEDIA	WATER	SATURATED STEAM (INTERMITTENT)	THERMAL OIL
PRESSURE MAX.	50 bar	1 bar	6.6 bar
SPEED MAX.	3500 min <sup>-1</sup>		
TEMPERATURE MAX.	121 °C		
DRY RUN (WITHOUT ANY MEDIA)	NO		
RECOMMENDED FILTRATION	60 micron		

CUSTOMER SHAFT END

HEX SIZES	WRENCHES	
	UNITS	"A"
METRIC [mm]	30-0.13	✓
IMPERIAL [in]	1.125-0.006	✓



PROJECTION:	SCALE: 1:1	TITLE: DEUBLIN ROTATING UNION DEUBLIN Drehdurchführung
MATERIAL:	INTERFACE CONTROL DRAWING	
DATE	NAME	NO. 157-000-738
DRN: 03/31/14	N. Reyna	
ENGR: 03/31/14	T. Wilson	
APPD.		SHEET A2

ISSUE	MODIFICATION	ECO	DATE	SIGN
B	SEC 0	60341	03/21	MZe
A	SEC 0	056312	05/20	MZe

UNLESS SPECIFICALLY TOLERANCED, ALL DIMENSIONS ARE CONSIDERED REFERENCE