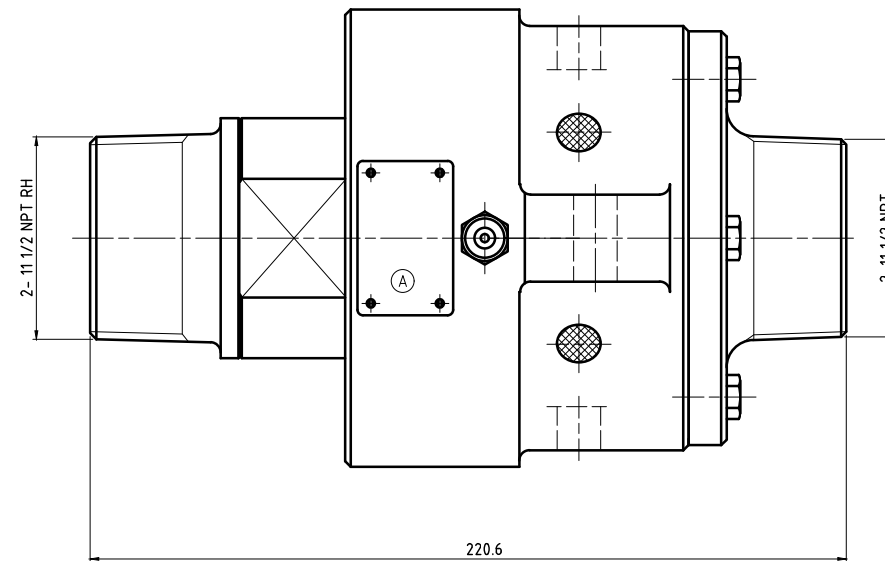
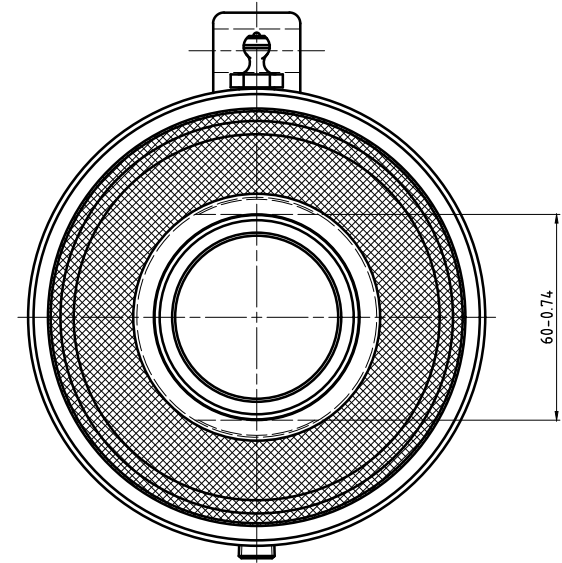
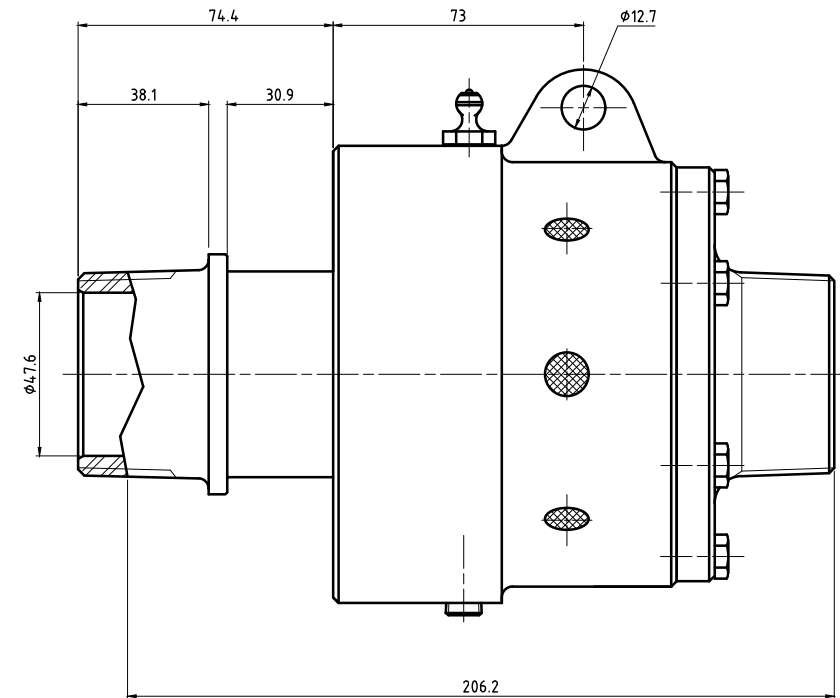
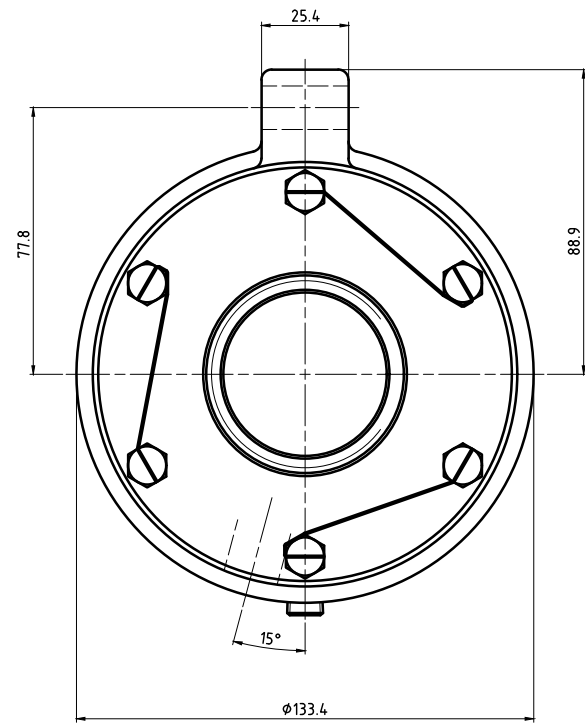


CONFIDENTIAL
 THIS DOCUMENT CONTAINS CONFIDENTIAL AND PROPRIETARY INFORMATION OF DEUBLIN COMPANY. COPYING, REPRODUCTION, DISTRIBUTION, AND DISCLOSURE ARE SUBJECT TO THE TERMS AND CONDITIONS CONTAINED IN YOUR AGREEMENT WITH DEUBLIN COMPANY. ALL RIGHTS RESERVED.



OPERATING DATA	
MEDIA	WATER
PRESSURE MAX.	10 bar
TEMPERATURE MAX.	120 °C
SPEED MAX.	750 min ⁻¹
DRY RUN	NO
TORQUE	5.4 Nm

DEUBLIN
 Engineered for Performance

PROJECTION: SCALE: 1:1

MATERIAL: INTERFACE CONTROL DRAWING

DRN	03/08/16	NAME	D.Choa
ENGR	03/08/16		T. Wilson
APPD.			

TITLE: DEUBLIN UNION

NO. 6200-044-123 SHEET A1

UNLESS SPECIFICALLY TOLERANCED, ALL DIMENSIONS ARE CONSIDERED REFERENCE

ISSUE/MODIFICATION ECD DATE SIGN