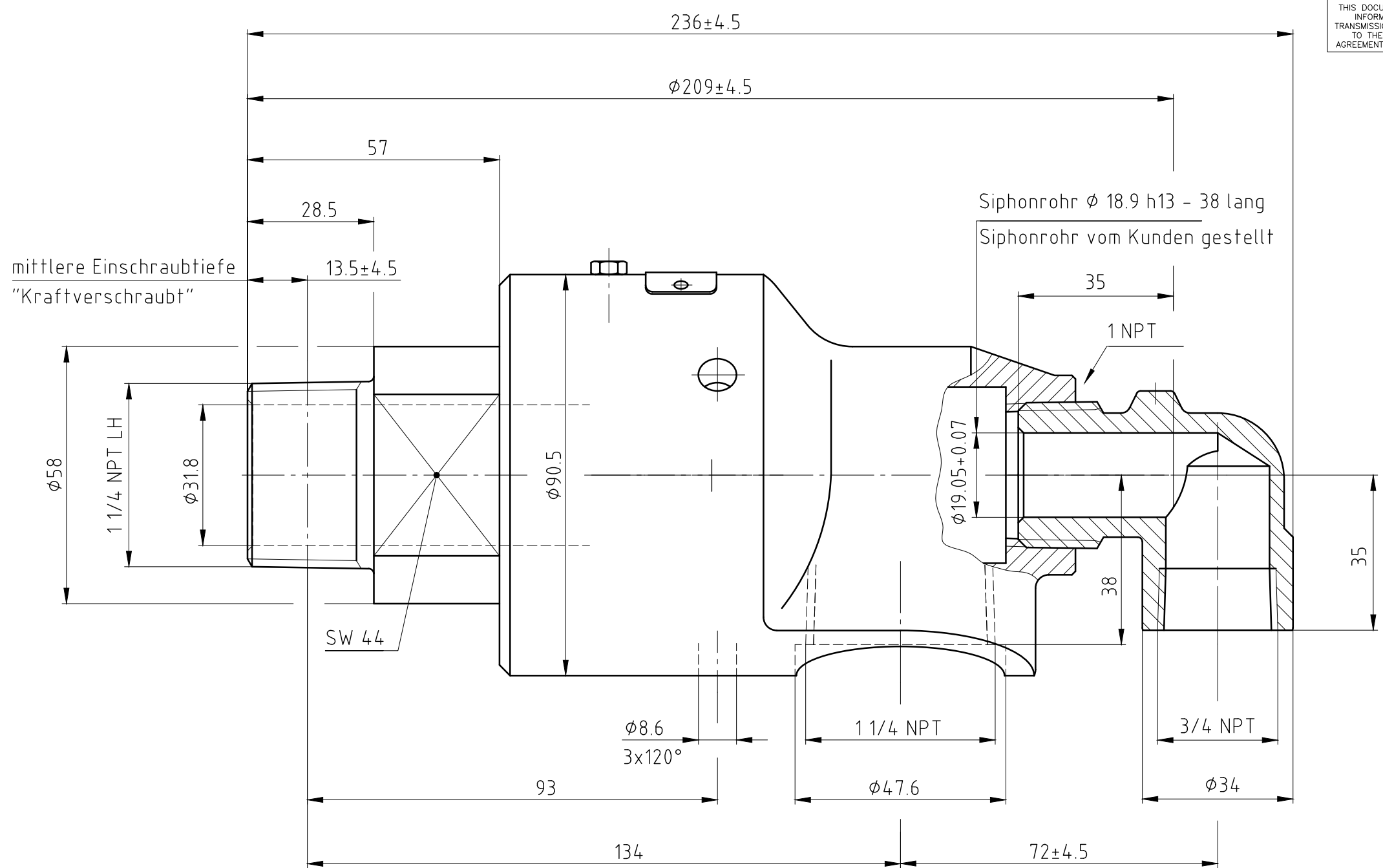
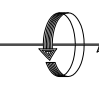
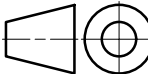


CONFIDENTIAL
 THIS DOCUMENT CONTAINS CONFIDENTIAL AND PROPRIETARY INFORMATION OF DEUBLIN COMPANY. COPYING, USE, TRANSMISSION, DISTRIBUTION, AND DISCLOSURE ARE SUBJECT TO THE TERMS AND CONDITIONS CONTAINED IN YOUR AGREEMENT WITH DEUBLIN COMPANY. ALL RIGHTS RESERVED.

$\phi 18.9$	$h13$	$\frac{0}{-0.330}$	$\frac{18.900}{18.570}$
Maß		Toleranz	



OPERATING DATA / Betriebsdaten		
MEDIA Medium	WATER	Wasser
MAXIMUM PRESSURE Max. Druck	750 PSI*	50 bar*
MINIMUM OPERATING TEMPERATURE Min. Betriebstemperatur	. °F	. °C
MAXIMUM OPERATING TEMPERATURE Max. Betriebstemperatur	250 °F	120 °C
MAXIMUM SPEED Max. Drehzahl	2500 RPM	2500 min ⁻¹
FILTRATION Filterung	60 µm	60 µm
DRY RUN (WITHOUT ANY MEDIA) Trockenlauf (ohne Medium)	NO	nein
* PRESSURES EXCEEDING 115 PSI ONLY PERMISSABLE WITH COLD WATER (MAX. 120°F) * Drücke über 8 bar nur in Verbindung mit Kaltwasser (max. 50°C) zulässig!		

 DEUBLIN GmbH D-65719 HOFHEIM-WALLAU, GERMANY		PROJECTION:	SCALE: 1:1	Z:\UNIONS\
			MATERIAL:	
		DATE	NAME	TITLE:
		DRN. 19.05.2003	WRS	DEUBLIN ROTATING UNION
		ENGR. 19.05.2003	Ch. Wolf	DEUBLIN Drehdurchführung
		APPD.		
b	MET/DWG/OP/DATE	06034	21.02.06	FD
a	neu gezeichnet	--	19.05.03	WRS
ISSUE		MODIFICATION	ECO	DATE
				SIGN
UNLESS SPECIFICALLY TOLERANCED, ALL DIMENSIONS ARE CONSIDERED REFERENCE				NO.
				525-000-002-104-DD
				SHEET A3