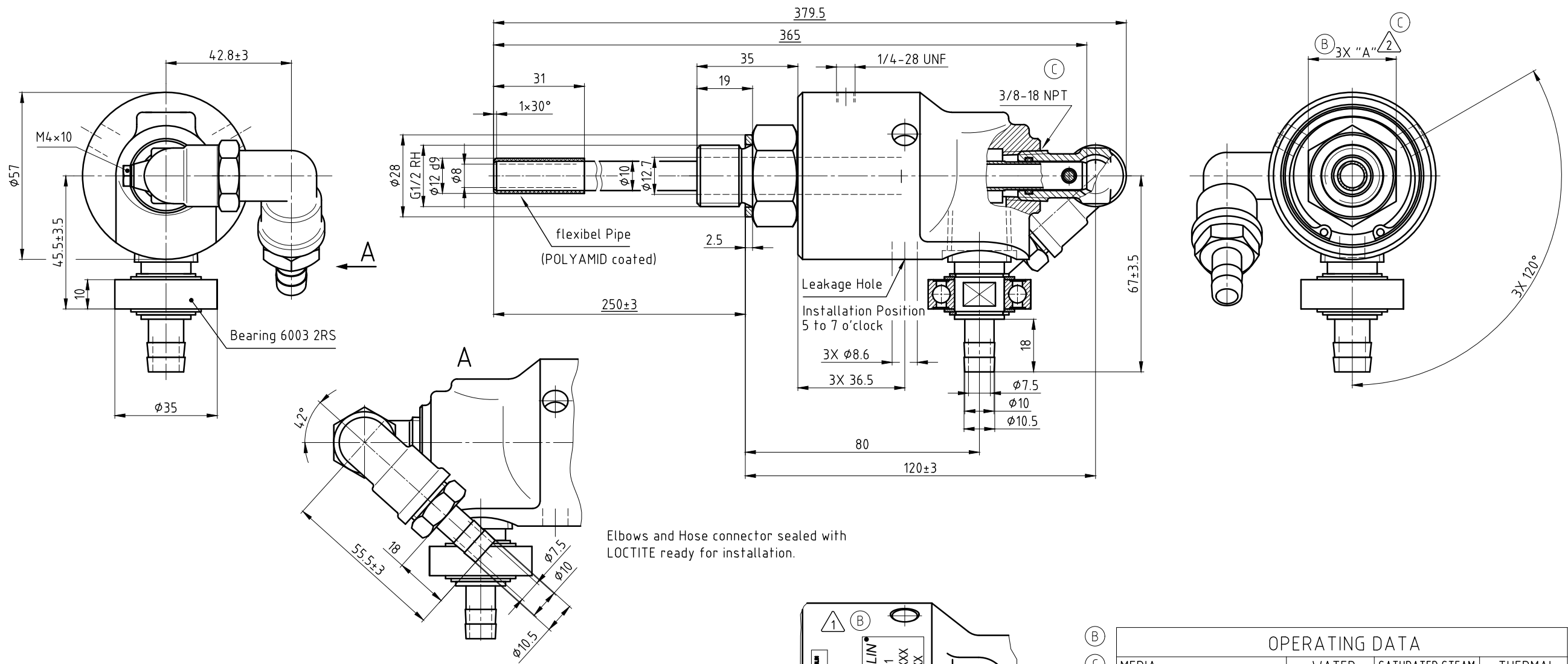
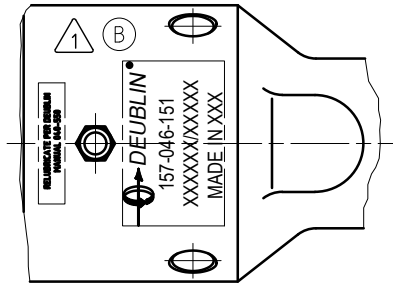


NOTES:

- 1 - CONTACT DEUBLIN OR VISIT WWW.DEUBLIN.COM FOR INSTRUCTION MANUAL: 040-550
- 2 - DEPENDING ON COUNTRY OF ORIGIN, HEX STOCK MAY VARY AS NOTED. SEE TABLE FOR ACCEPTABLE WRENCH SIZES.



Elbows and Hose connector sealed with LOCTITE ready for installation.



OPERATING DATA

MEDIA	WATER	SATURATED STEAM (INTERMITTENT)	THERMAL OIL
PRESSURE MAX.	50 bar	1 bar	6.6 bar
SPEED MAX.	3500 min ⁻¹		
TEMPERATURE MAX.	121 °C		
DRY RUN (WITHOUT ANY MEDIA)	NO		
RECOMMENDED FILTRATION	60 micron		

HEX SIZES

UNITS	"A"	WRENCHES
METRIC [mm]	30-0.13	30mm 1 1/8"
IMPERIAL [in]	1.125-0.006	✓

DEUBLIN
 HOERBIGER Rotary Solutions

PROJECTION:

SCALE: 1:1

MATERIAL: INTERFACE CONTROL DRAWING

TITLE: DEUBLIN ROTATING UNION
 DEUBLIN Drehdurchführung

NO. 157-046-151

SHEET A2

ISSUE	MODIFICATION	ECO	DATE	SIGN
C	SEE CD	60341	03/21	MZe
B	SEE CD	056312	06/20	MZe
a	MEIR DWG	06034	30.11.06	FD

UNLESS SPECIFICALLY TOLERANCED, ALL DIMENSIONS ARE CONSIDERED REFERENCE