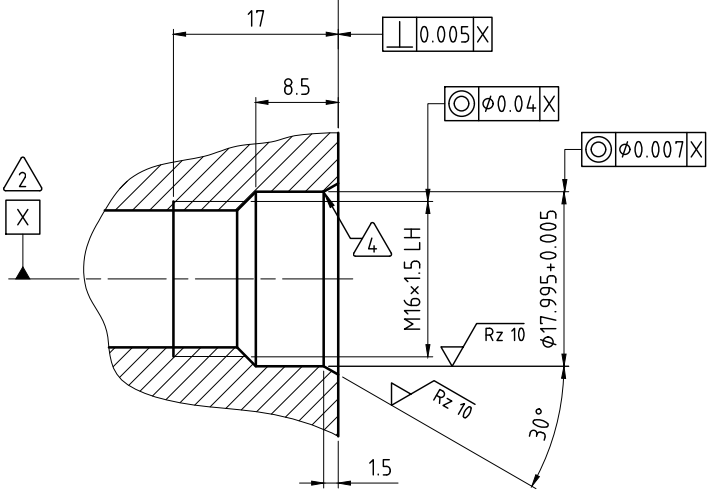
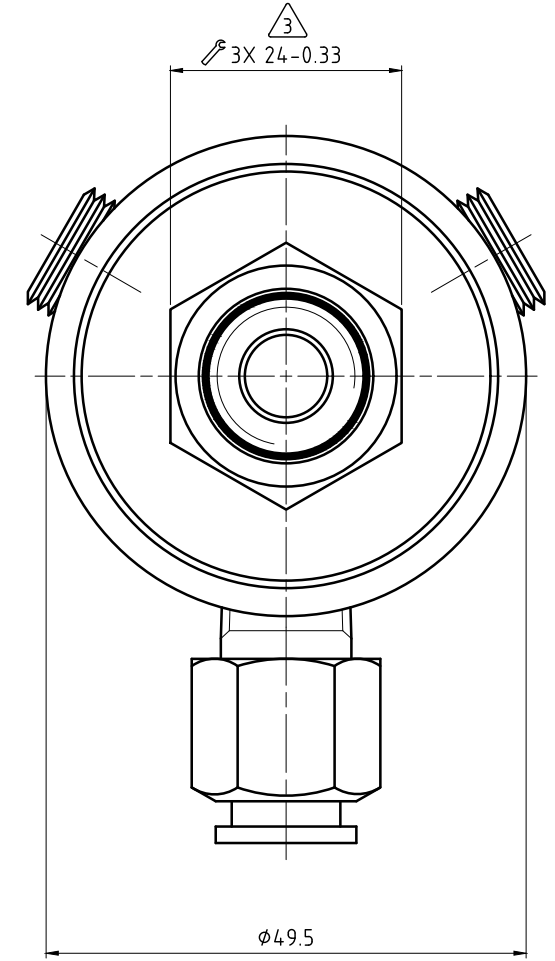
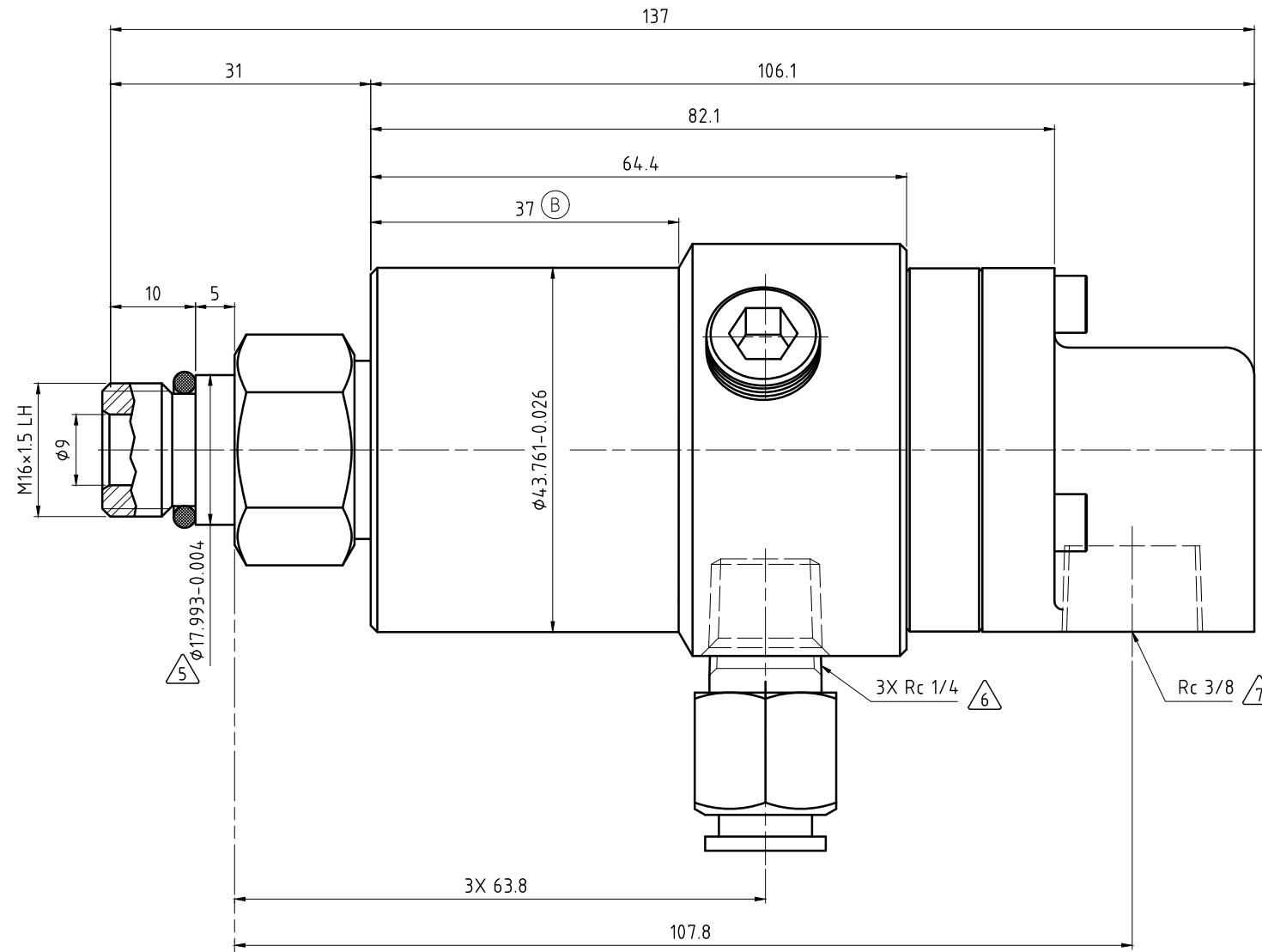
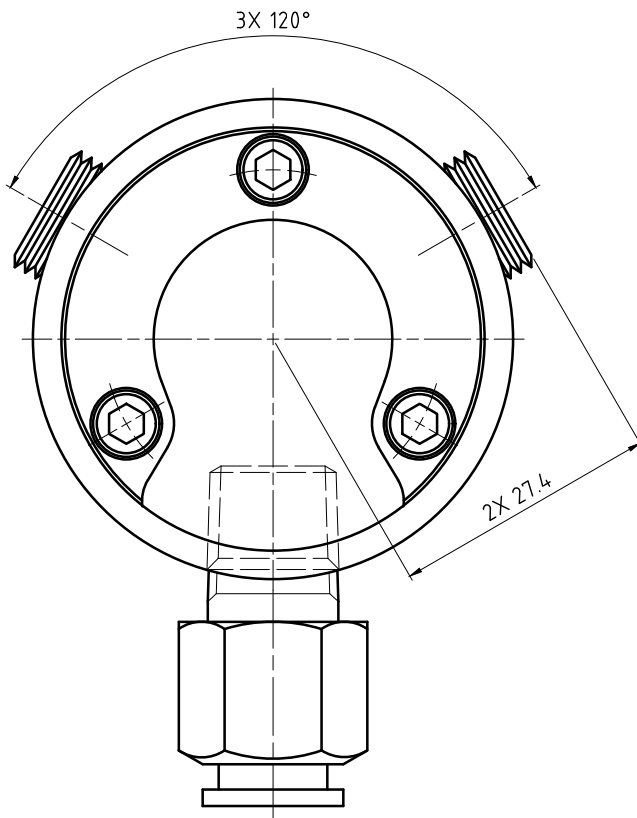


NOTES:

- 1 - AIR FUNCTIONS IN A CONTROLLED LEAKAGE CONDITION.
- 2 - SPINDLE BEARING ARRANGEMENT
- 3 - TORQUE TO 35Nm.
- 4 - ROUNDED
- 5 - CRITICAL DIMENSION.
- 6 - DRAIN
- 7 - MEDIA PORT



CUSTOMER INTERFACE

OPERATING DATA				
MEDIA	7	COOLANT	MQL	1 AIR
MEDIA PRESSURE	MAXIMUM	105 bar	10 bar	10 bar
	MINIMUM	4 bar	4 bar	4 bar
FLOW RATE	MAXIMUM	82 L/min	3810 NL/min	3810 NL/min
	MINIMUM	6 L/min	360 NL/min	360 NL/min
TEMPERATURE	MAXIMUM	70 °C	70 °C	70 °C
	MINIMUM	5 °C	5 °C	5 °C
MAXIMUM SPEED		15000 min ⁻¹	15000 min ⁻¹	15000 min ⁻¹
DRY RUN		UNLIMITED		
RECOMMENDED FILTRATION		ISO 4406 CLASS 17/15/12		

DEUBLIN
 Engineered for Performance

PROJECTION:

SCALE: 2:1

MATERIAL: INTERFACE CONTROL DRAWING

TITLE: DEUBLIN AUTONSENSE UNION

DATE	NAME	TITLE
DRN. 10/28/16	L. Galindo	DEUBLIN AUTONSENSE UNION
ENGR. 11/02/16	L. Freed	
APPD.		

NO. 904-140-188

SHEET A2

ISSUE	MODIFICATION	ECO	DATE	SIGN
B	INCREASED HSG LENGTH	053787	10/19	MA
A	ADDED FITTING	039865	11/16	NR

UNLESS SPECIFICALLY TOLERANCED, ALL DIMENSIONS ARE CONSIDERED REFERENCE