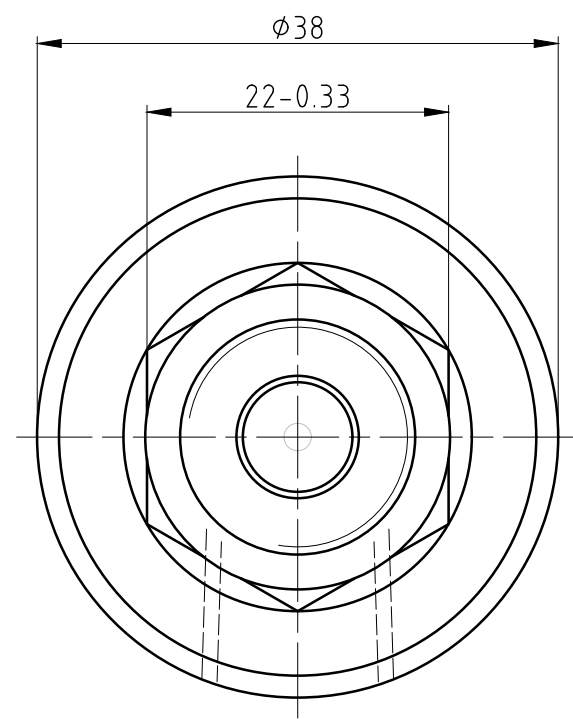
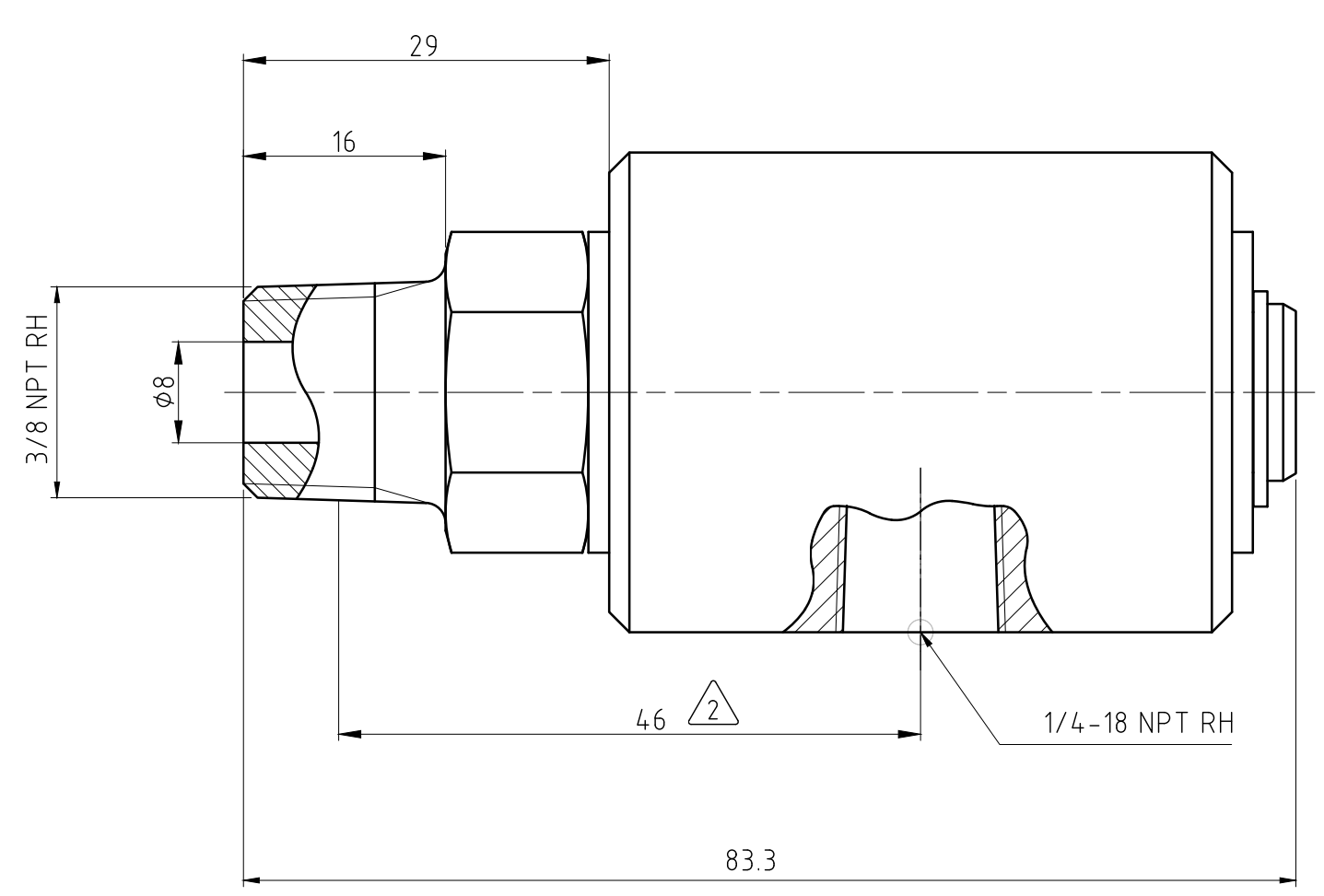


CONFIDENTIAL
 THIS DOCUMENT CONTAINS CONFIDENTIAL AND PROPRIETARY
 INFORMATION OF DEUBLIN COMPANY. COPYING, USE,
 TRANSMISSION, DISTRIBUTION, AND DISCLOSURE ARE SUBJECT
 TO THE TERMS AND CONDITIONS CONTAINED IN YOUR
 AGREEMENT WITH DEUBLIN COMPANY. ALL RIGHTS RESERVED.

- NOTES:
 1 - OPERATION AT MAXIMUM PRESSURE COMBINED WITH MAXIMUM
 SPEED SHOULD BE AVOIDED.
 2 - APPROXIMATE DISTANCE TO LOCKUP.
 3 - USE INSTALLATION INSTRUCTION 040-513.



OPERATING DATA 1				
MEDIA		AIR	HYDRAULIC OIL	VACUUM
PRESSURE	MAXIMUM	10 bar	207 bar	6.7 kPa
TEMPERATURE	MAXIMUM	121 °C	121 °C	121 °C
	MINIMUM	5 °C	5 °C	5 °C
MAXIMUM SPEED		250 min ⁻¹	250 min ⁻¹	250 min ⁻¹

 WAUKEGAN, ILLINOIS, U.S.A.	PROJECTION:	SCALE: 2:1	MATERIAL:
	DATE	NAME	TITLE:
	DRN. 06/24/2009	galindolm	INTERFACE CONTROL DRAWING FOR 17 SERIES UNION, 3/8" NPT RH ROTOR
	ENGR.		
	APPD.		
UNLESS SPECIFICALLY TOLERANCED, ALL DIMENSIONS ARE CONSIDERED REFERENCE			NO. 17-299-298
ISSUE	MODIFICATION	ECO	DATE
			SIGN
			SHEET A3