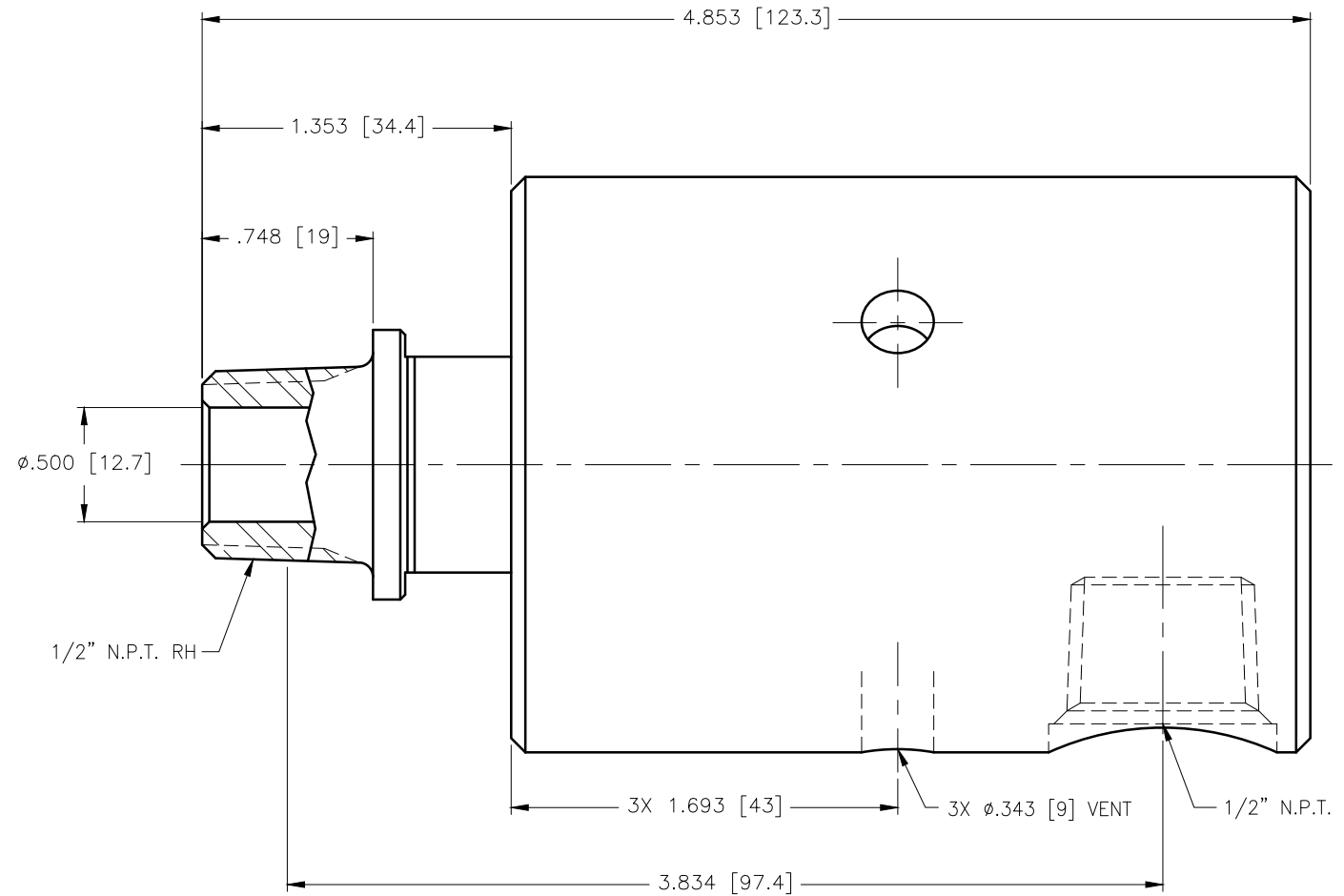
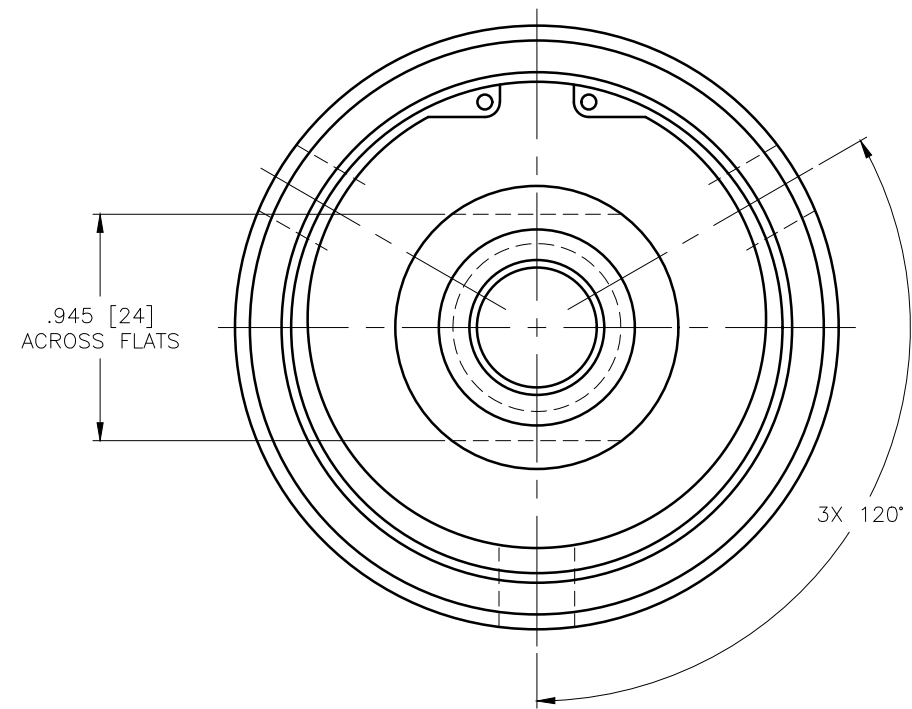


CONFIDENTIAL
 THIS DOCUMENT CONTAINS CONFIDENTIAL AND PROPRIETARY INFORMATION OF DEUBLIN COMPANY. COPYING, USE, TRANSMISSION, DISTRIBUTION, AND DISCLOSURE ARE SUBJECT TO THE TERMS AND CONDITIONS CONTAINED IN YOUR AGREEMENT WITH DEUBLIN COMPANY. ALL RIGHTS RESERVED.



OPERATING DATA		
MEDIA	WATER	
MAX WATER PRESSURE	1000 PSI	69 bar
MAX SPEED	1500 RPM	1500/min
MAX TEMPERATURE	200°F	93°C

SCALE	2:1	DWG SIZE
DRN	NR	03/02/09
ENGR	TW	03/02/09
APPD	TW	03/02/09
PART NO.	154-050-117	
CUSTOMER		
LET.	REVISION	ECO DATE SIGN

UNLESS SPECIFICALLY TOLERANCED, ALL DIMENSIONS ARE REFERENCE DIMENSIONS IN [] ARE IN MILLIMETERS.

DEUBLIN COMPANY
 WAUKEGAN, ILLINOIS, U.S.A.

TITLE: INTERFACE CONTROL DRAWING OF DEUBLIN UNION 154-050-117

DWG NO. 154-050-117 C.A.D. DRAWING