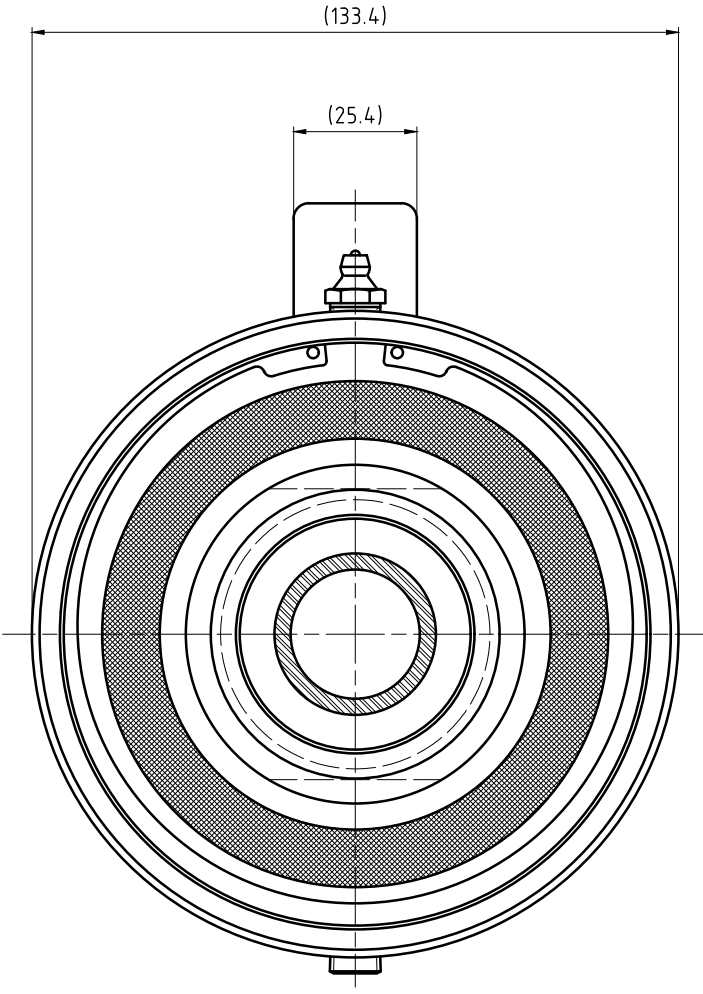
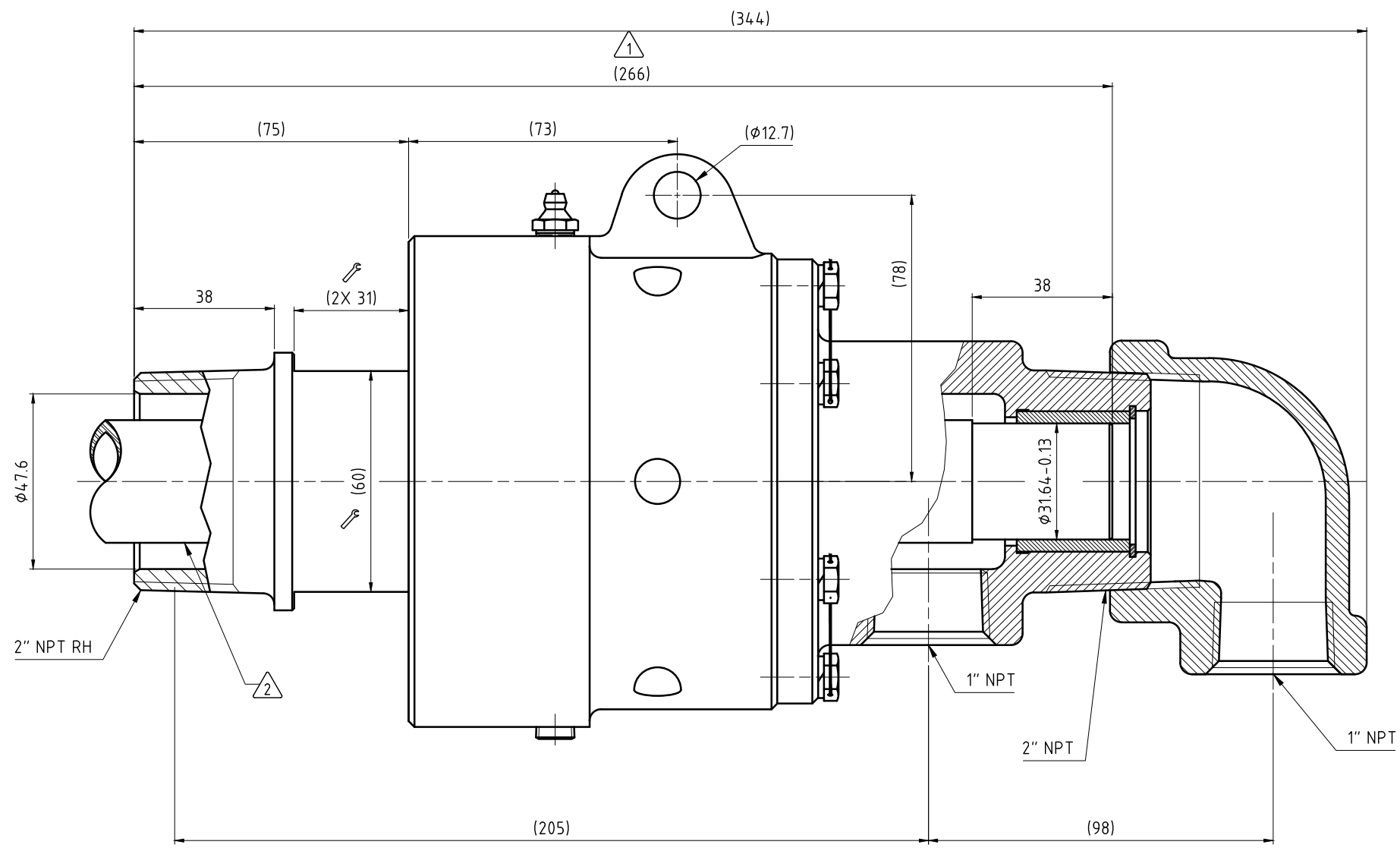


CONFIDENTIAL
 THIS DOCUMENT CONTAINS CONFIDENTIAL AND PROPRIETARY
 INFORMATION OF DEUBLIN COMPANY. COPYING, USE,
 TRANSMISSION, DISTRIBUTION, AND DISCLOSURE ARE SUBJECT
 TO THE TERMS AND CONDITIONS CONTAINED IN YOUR
 AGREEMENT WITH DEUBLIN COMPANY. ALL RIGHTS RESERVED.

NOTES:

- ① - PIPE LENGTH.
- ② - PIPE SUPPLIED BY CUSTOMER. PIPE SIZE: 1"



OPERATING DATA		
MEDIA	WATER	
MAX WATER PRESSURE	150 PSI	10 bar
MAX WATER TEMP.	250°F	121°C
MAX SPEED	750 RPM	750/min

		PROJECTION: 	SCALE: 1:1 MATERIAL:
		DATE: 12/26/2013 NAME: R. Abarca	TITLE: INTERFACE CONTROL DRAWING
		ENGR: 12/26/2013 NAME: R. Moore	DEUBLIN UNION
		APPD.	NO. 6200-002-123-IC
ISSUE	MODIFICATION	ECO	DATE
			SIGN
UNLESS SPECIFICALLY TOLERANCED, ALL DIMENSIONS ARE CONSIDERED REFERENCE			SHEET A2