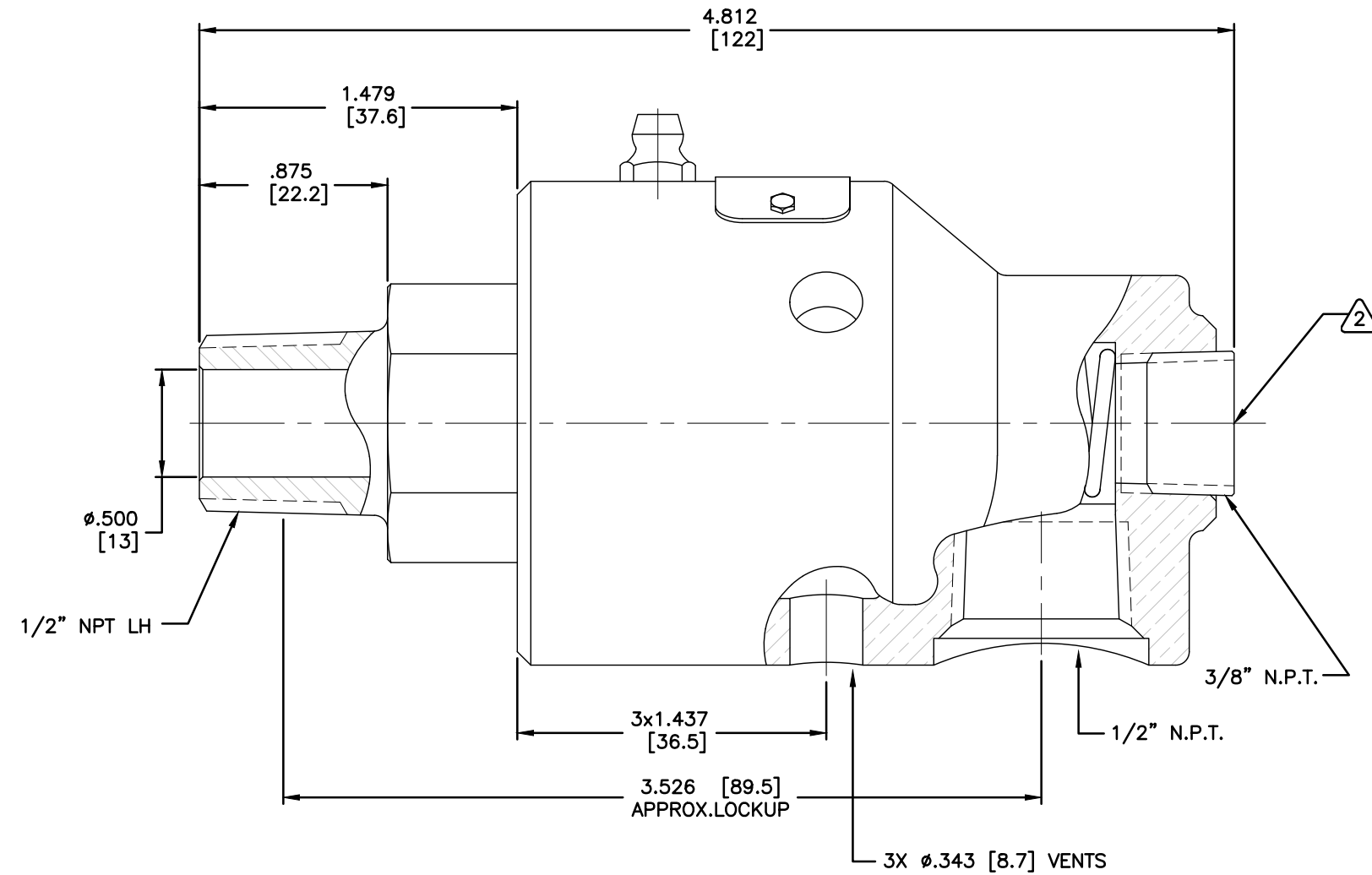
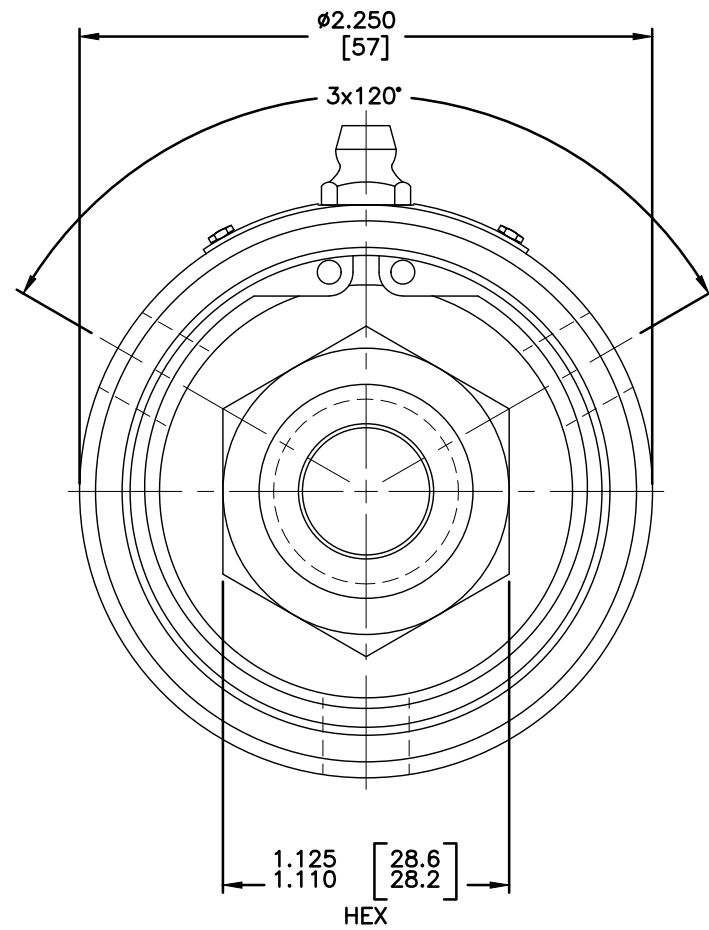


NOTES:

- 1 - WHEN ORDERING FROM DEUBLIN USE PART NUMBER 155-000-002.
- 2 - PLUG INSTALLED HAND TIGHT FROM FACTORY. IF PORT IS NOT UTILIZED, TIGHTEN BEFORE USE.



CONFIDENTIAL

THIS DOCUMENT CONTAINS PROPRIETARY INFORMATION AND IS NOT TO BE TRANSMITTED, REPRODUCED, USED OR DISCLOSED TO ANYONE WITHOUT THE WRITTEN PERMISSION OF THE DEUBLIN COMPANY.

DEUBLIN COMPANY
WAUKEGAN, ILLINOIS, U.S.A.

TITLE: INTERFACE CONTROL
DRAWING FOR UNION
155-000-002

NO. 155-000-002-IC

C.A.D DRAWING

EQUIPMENT REF:				
SCALE	2:1	DWG SIZE	C	
DRN	RM	08/05/02		
ENGR				
APPD				
ASSY/TEST FIXTURES REQUIRED:				
LET.	REVISION	ECO	DATE	SIGN

UNLESS OTHERWISE SPECIFIED TOLERANCES $\pm .010$. DIMENSIONS IN () ARE IN MILLIMETERS.