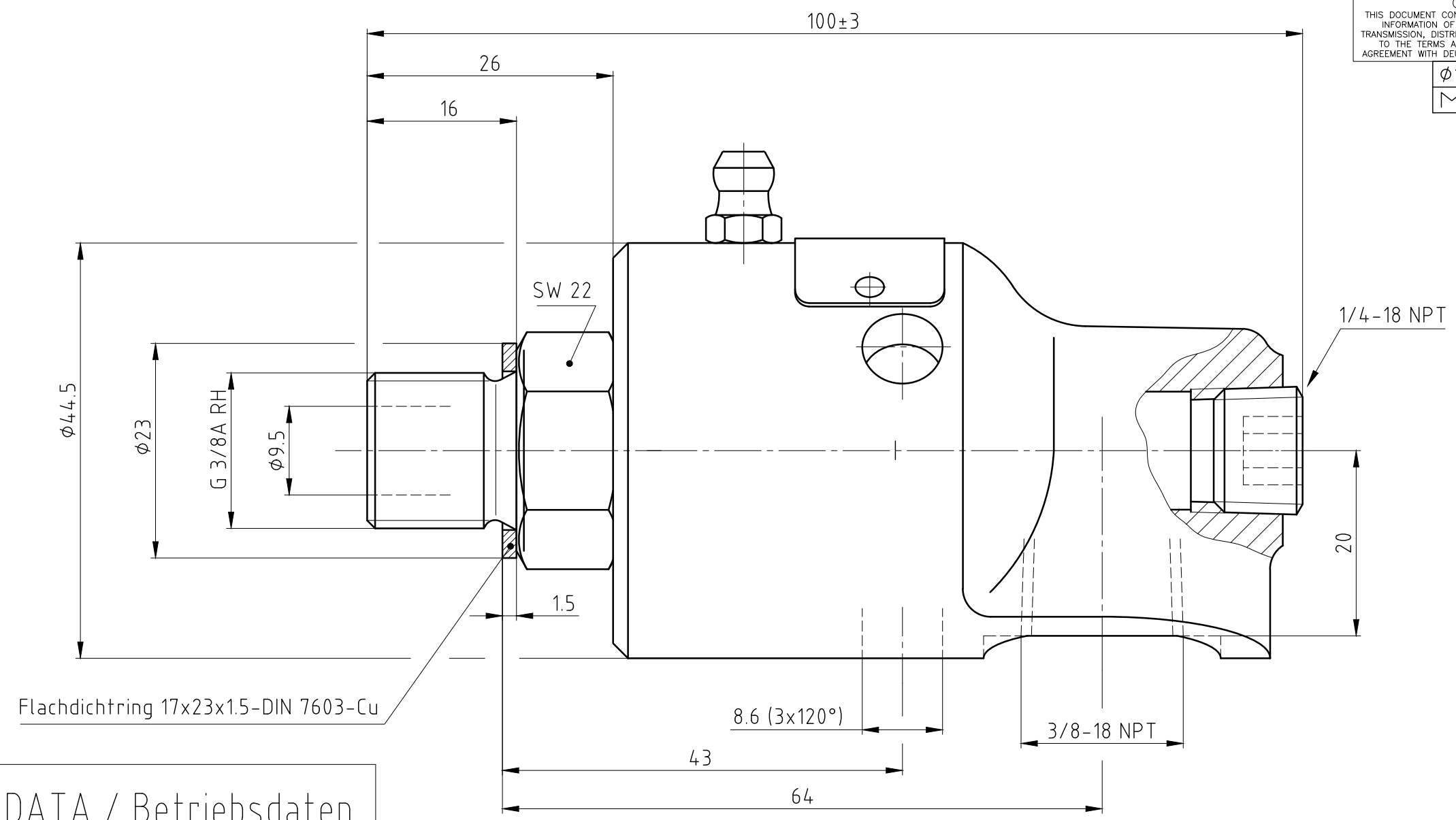


CONFIDENTIAL
 THIS DOCUMENT CONTAINS CONFIDENTIAL AND PROPRIETARY INFORMATION OF DEUBLIN COMPANY. COPYING, USE, TRANSMISSION, DISTRIBUTION, AND DISCLOSURE ARE SUBJECT TO THE TERMS AND CONDITIONS CONTAINED IN YOUR AGREEMENT WITH DEUBLIN COMPANY. ALL RIGHTS RESERVED.

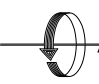
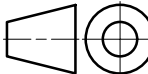
φ18	g5	-0.006	17.994
Maß	Toleranz	-0.014	17.986



OPERATING DATA / Betriebsdaten

MEDIA Medium	WATER	Wasser
MAXIMUM PRESSURE Max. Druck	750 PSI *	50 bar *
MINIMUM OPERATING TEMPERATURE Min. Betriebstemperatur	°F	°C
MAXIMUM OPERATING TEMPERATURE Max. Betriebstemperatur	250 °F	120 °C
MAXIMUM SPEED Max. Drehzahl	3500 RPM	3500 min ⁻¹
FILTRATION Filterung	60 µm	60 µm
DRY RUN (WITHOUT ANY MEDIA) Trockenlauf (ohne Medium)	NO	nein

* PRESSURES EXCEEDING 115 PSI ONLY PERMISSABLE WITH COLD WATER (MAX. 120°F)!
 * Drücke über 8 bar nur in Verbindung mit Kaltwasser (max. 50°C) zulässig!

 DEUBLIN GmbH D-65719 HOFHEIM-WALLAU, GERMANY		PROJECTION: 	SCALE: 2:1 Z:\ \UNIONS\
DATE: 24.09.2002 NAME: H.-J.Huhn		TITLE: DEUBLIN ROTATING UNION DEUBLIN Drehdurchführung	
ENGR. 24.09.2002 NAME: Ch.Wolf		NO. 55-000-094-DD	
APPD.		SHEET A3	
a METRDWG/OPDATA ISSUE MODIFICATION	06034 ECO	21.02.06 DATE	FD SIGN
UNLESS SPECIFICALLY TOLERANCED, ALL DIMENSIONS ARE CONSIDERED REFERENCE			NO. 55-000-094-DD