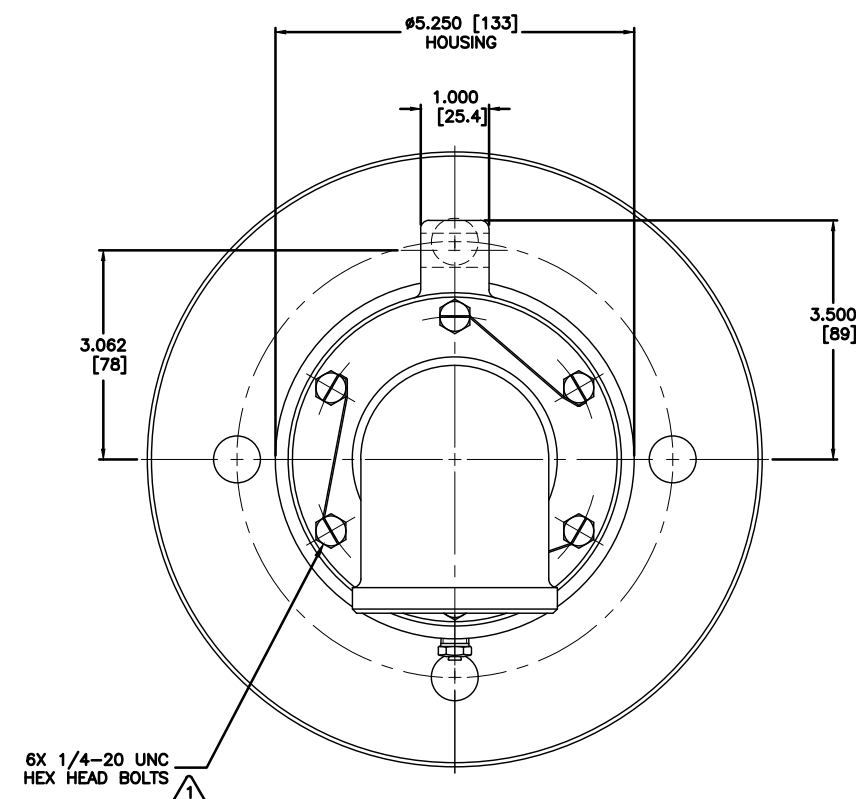
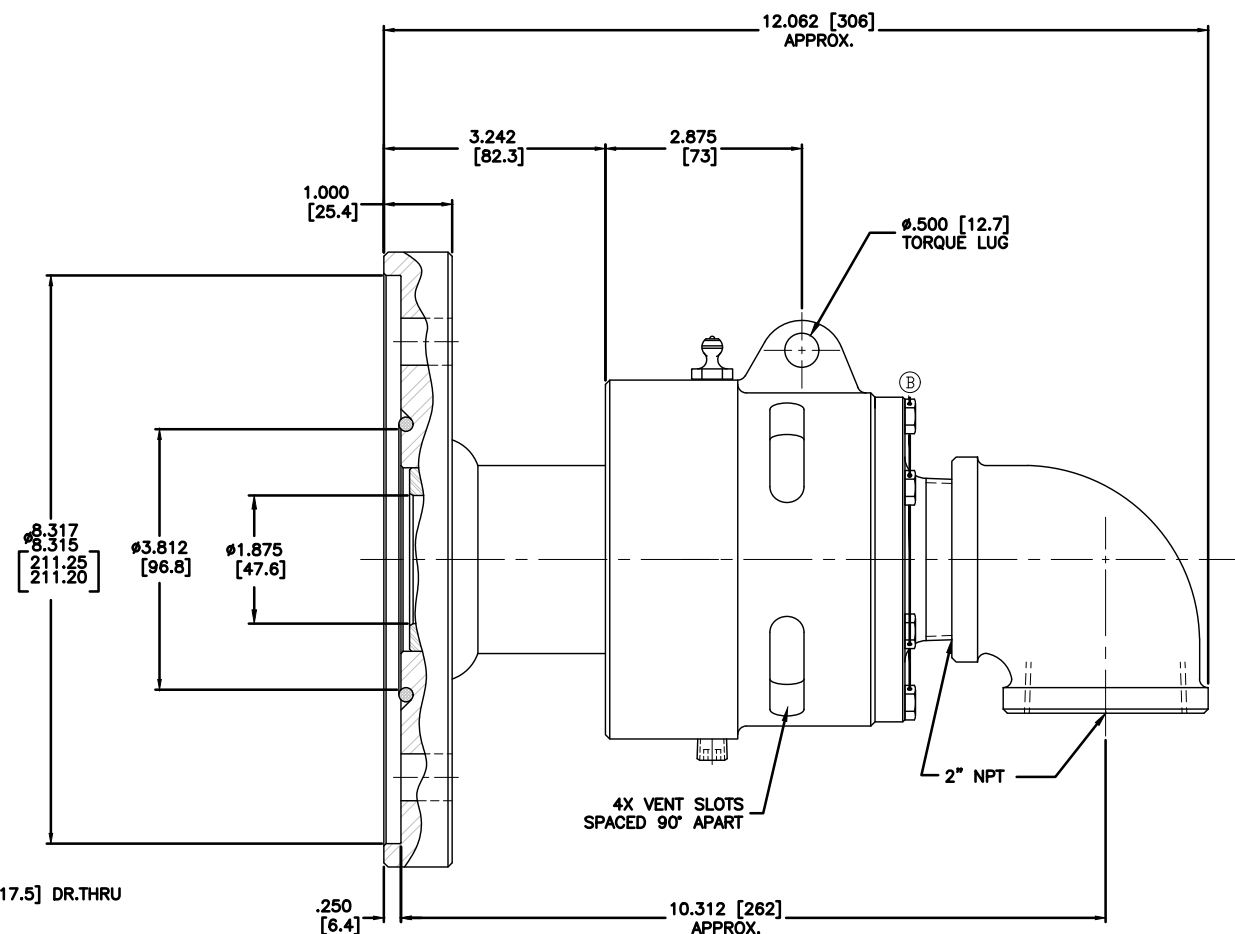
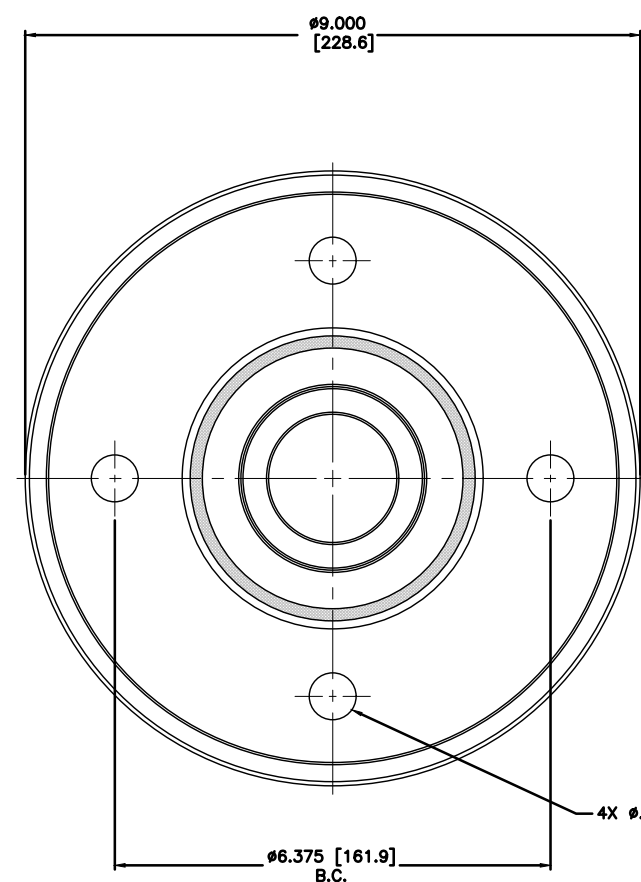
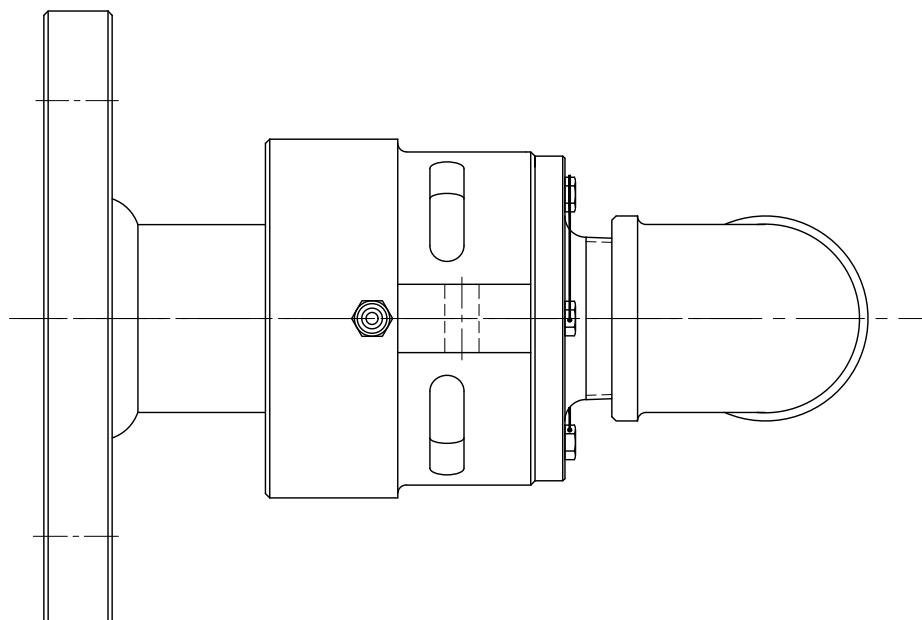


NOTES:

- 1 - TORQUE BOLTS TO 7-9 FT-LBS (9.5-12 Nm) AND SAFETY WIRE.
- 2 - WHEN ORDERING FROM DEUBLIN USE PART NUMBER 6200-001-115.

| OPERATING DATA | |
|-----------------|---------------------|
| MEDIA: WATER | |
| MAX TEMPERATURE | 250°F (121°C) |
| MAX PRESSURE | 150 PSI (10 BAR) |
| MAX R.P.M. | 750 (750 /MIN) |
| MAX FLOW | 160 GPM (605 L/MIN) |

Ⓐ



CONFIDENTIAL
THIS DOCUMENT CONTAINS PROPRIETARY INFORMATION AND IS NOT TO BE TRANSMITTED, REPRODUCED, USED OR DISCLOSED TO ANYONE WITHOUT THE WRITTEN PERMISSION OF THE DEUBLIN COMPANY.

| | | | | |
|------------------------------|----------|----------|----------|--|
| EQUIPMENT REF: | | SIZE 3/4 | REV D | WAUKEGAN, ILLINOIS, U.S.A. |
| | | REV LG | 09/25/03 | |
| ASSY/TEST FIXTURES REQUIRED: | | | | UNTOLERANCED DIMENSIONS ±.010 DECIMALS AS SPECIFIED. DIMENSIONS IN [] ARE IN MILLIMETERS. |
| B WASHER REMOVED | 05/07 | HS | | CAD DRAWING 6200-001-115-IC |
| A REVISED FLOW | 05/07 | TW | | |
| LET: | REVISION | EOO | DATE | BY |