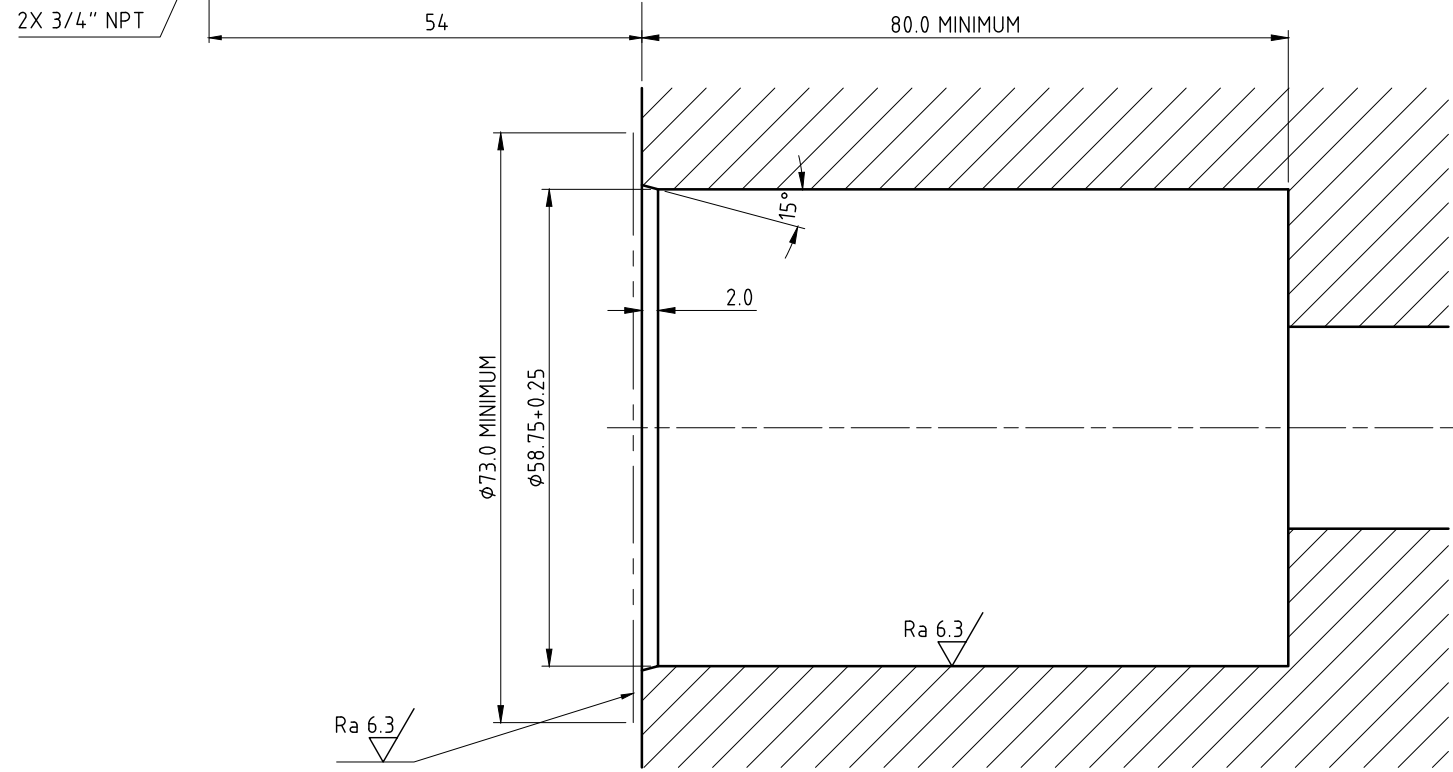
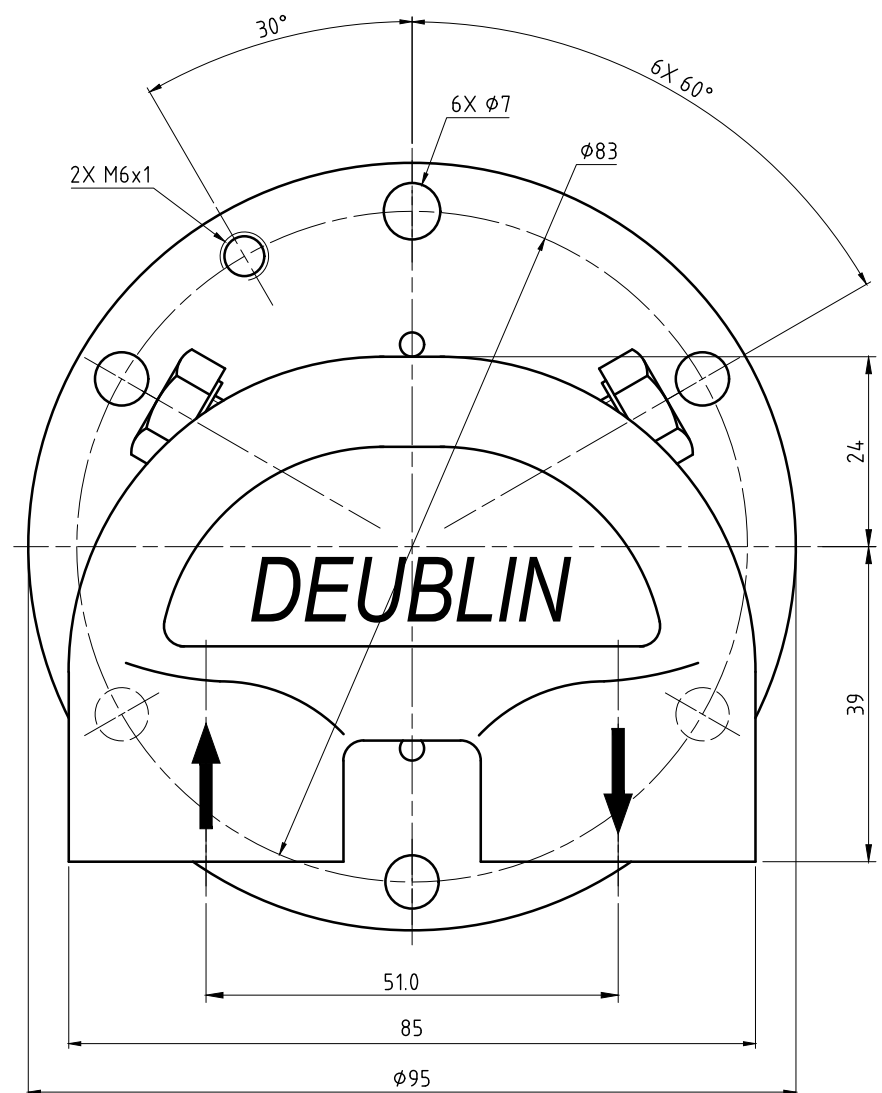
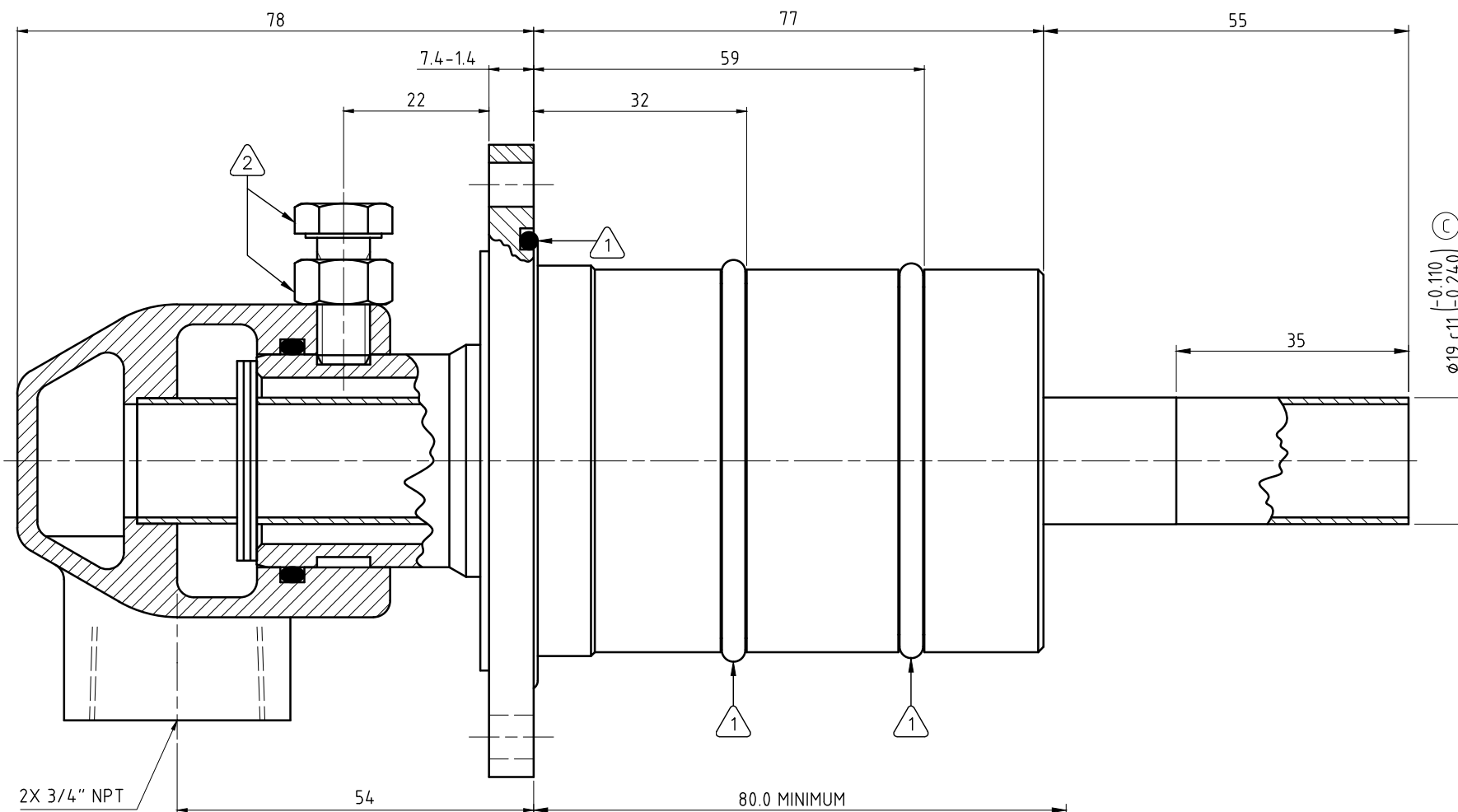


CONFIDENTIAL
 THIS DOCUMENT CONTAINS CONFIDENTIAL AND PROPRIETARY
 INFORMATION OF DEUBLIN COMPANY. COPYING, USE,
 TRANSMISSION, DISTRIBUTION, AND DISCLOSURE ARE SUBJECT
 TO THE TERMS AND CONDITIONS CONTAINED IN YOUR
 AGREEMENT WITH DEUBLIN COMPANY. ALL RIGHTS RESERVED.

19	c11	-0.110	18.890
Dimen.	Fit	-0.240	18.760

NOTES:

- ① - LUBRICATE INDICATED O-RINGS WITH SILICONE BASED GREASE.
- ② - TIGHTEN INDICATED BOLTS AND SECURE WITH LOCK NUT.



OPERATING PARAMETERS		
MEDIA	WATER	
MAX. PRESSURE	150 PSI	10 bar
MAX. SPEED	100 RPM	100/min
MAX. TEMPERATURE	250 F	121 C
MAX. FLOW	14 GPM	53 L/min

		PROJECTION:	SCALE: 1.6667:1		
			MATERIAL: INTERFACE CONTROL DRAWING		
		DATE: 01/26/05	TITLE: DEUBLIN UNION		
		NAME: RM			
		ENGR: 01/26/05			
		APPD: AA			
C	REVISED DIM	021789	04/13	NR	
B	REMOVED IMPERIAL DIMS	7585	08/06	MJ	
A	WAS #8.75-4.25	EGR	05/06	RM	
ISSUE	MODIFICATION	ECO	DATE	SIGN	
UNLESS SPECIFICALLY TOLERANCED, ALL DIMENSIONS ARE CONSIDERED REFERENCE					NO. 2425-002-283135
					SHEET A2