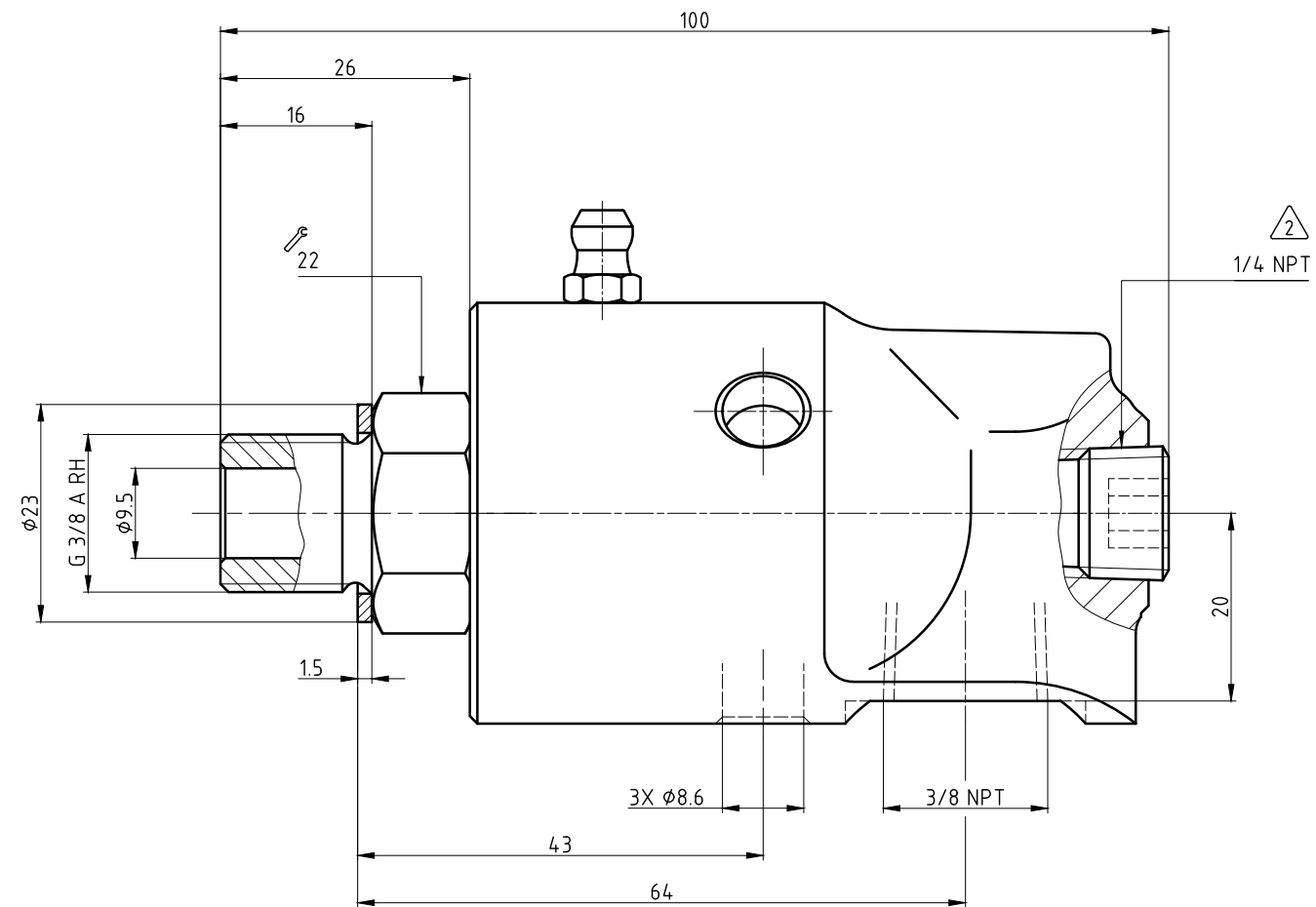
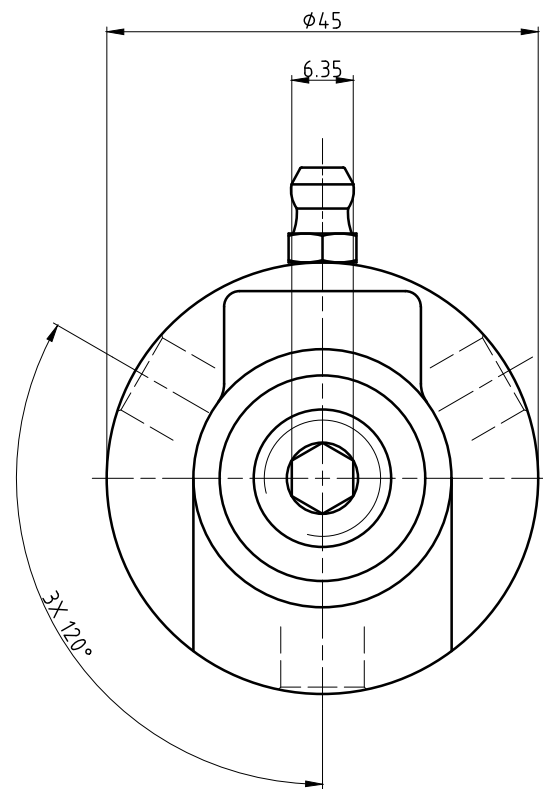


CONFIDENTIAL  
 THIS DOCUMENT CONTAINS CONFIDENTIAL AND PROPRIETARY  
 INFORMATION OF DEUBLIN COMPANY. COPYING, USE,  
 TRANSMISSION, DISTRIBUTION, AND DISCLOSURE ARE SUBJECT  
 TO THE TERMS AND CONDITIONS CONTAINED IN YOUR  
 AGREEMENT WITH DEUBLIN COMPANY. ALL RIGHTS RESERVED.

NOTES:

- 1 - CONTACT DEUBLIN OR VISIT WWW.DEUBLIN.COM  
 FOR INSTRUCTION MANUAL: 040-550
- 2 - PLUG INSTALLED HAND TIGHT FROM FACTORY. IF PORT IS NOT UTILIZED,  
 TIGHTEN BEFORE USE.
- 3 - ROTATING UNION WITH LOW TORQUE: 0.12 Nm.



OPERATING DATA	
MEDIA	WATER
PRESSURE MAX.	10 bar
SPEED MAX.	3500 min <sup>-1</sup>
TEMPERATURE MAX.	90 °C
DRY RUN (WITHOUT ANY MEDIA)	NO

**DEUBLIN**  
 Engineered for Performance

PROJECTION:

SCALE: 2:1

MATERIAL: INTERFACE CONTROL DRAWING

TITLE: DEUBLIN ROTATING UNION  
 DEUBLIN Drehdurchführung

NO. 55-503-094

SHEET A2

DATE	NAME	DATE	NAME
DRN. 08.05.2014	CW		
ENGR. 08.05.2014	FD		
APPD.			

A REDRAWN/UPDATE TO MD 28377 05/14 CW  
 UNLESS SPECIFICALLY TOLERANCED, ALL DIMENSIONS ARE CONSIDERED REFERENCE