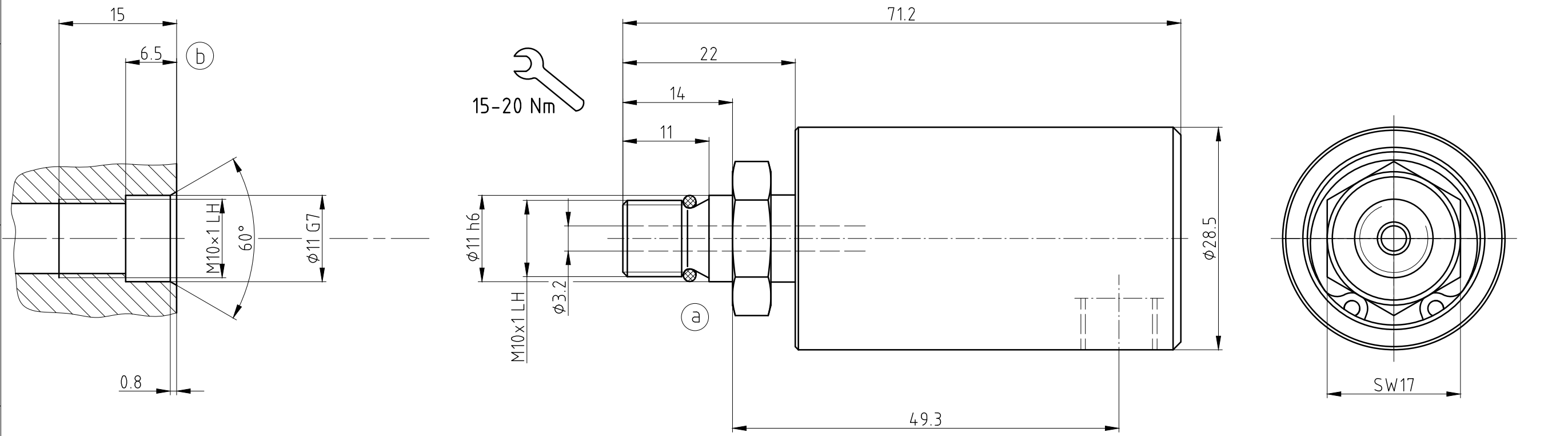


**CONFIDENTIAL**  
 The reproduction, distribution and utilization of this document as well as the communication of its contents to others without express authorization is prohibited. Offenders will be held liable for the payment of damages. All rights reserved in the event of the grant of a patent, utility model or design.

|     |          |        |        |
|-----|----------|--------|--------|
| Ø11 | h6       | 0      | 11.000 |
|     |          | -0.011 | 10.989 |
| Ø11 | G7       | +0.024 | 11.024 |
|     |          | +0.006 | 11.006 |
| Maß | Toleranz |        |        |

**CUSTOMER INTERFACE**



(b)

**OPERATING DATA / Betriebsdaten**

| MEDIA/Medium                        | HYDRAULIC OIL / COMPRESSED AIR<br>Hydrauliköl / Druckluft |            |
|-------------------------------------|---|------------|
| p max. HYDRAULIC OIL<br>Hydrauliköl | 1000 PSI  | 70 bar     |
| p max. COMPRESSED AIR<br>Druckluft  | 150 PSI   | 10 bar     |
| VACUUM/Vakuum max.                  | 28" Hg  | 6,7 kPa    |
| t max.                              | 250 °F  | 120 °C     |
| n max.                              | 3500 RPM  | 3500 1/min |

|    |          |
|----|----------|
| √W | √Rz= 63  |
| √X | √Rz= 25  |
| √Y | √Rz= 6.3 |
| √Z | √Rz= 1   |

PROJECTION:

|   |                                     |
|---|-------------------------------------|
| SCALE: 2:1  | MATERIAL: INTERFACE CONTROL DRAWING |
| DATE: 25.04.03  | NAME: CH. Wolf                      |
| ENGR. 25.04.03  | F. Dahl                             |
| TITLE: DEUBLIN ROTATING UNION<br>DEUBLIN Drehdurchführung |                                     |
| NO. 1005-020-330  | SHEET A3                            |

|       |                           |        |          |          |
|-------|---------------------------|--------|----------|----------|
| ISSUE | MODIFICATION              | ECO    | DATE     | SIGN     |
| c     | Was Wellenende des Kunden | 054624 | 01/20    | RM APPD. |
| b     | überarbeitet              | 04238  | 09.12.04 | Schmid   |
| a     | O-Ring hinzu              | 03023  | 17.02.03 | WRS      |

UNLESS SPECIFICALLY TOLERANCED, ALL DIMENSIONS ARE CONSIDERED REFERENCE