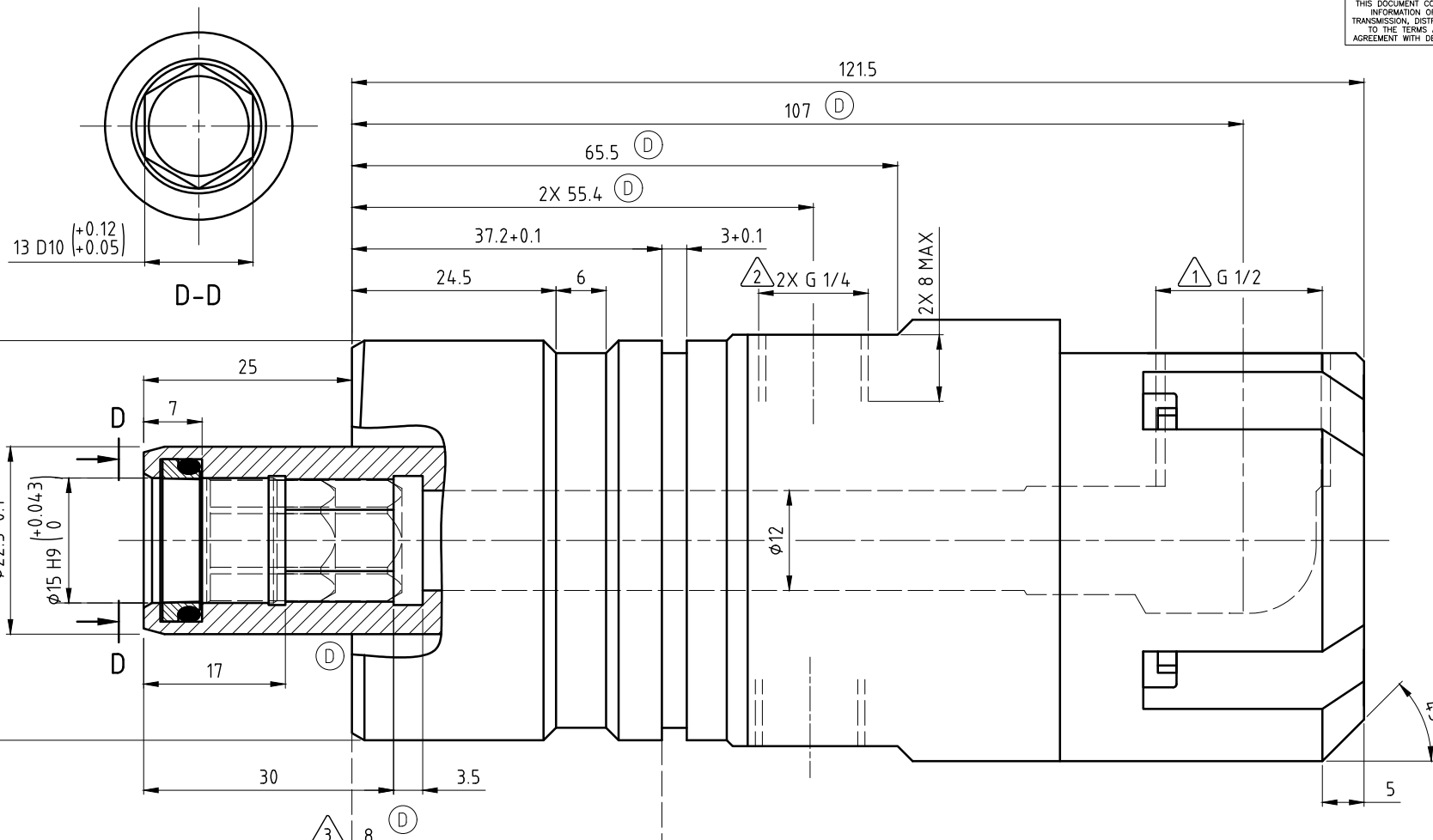
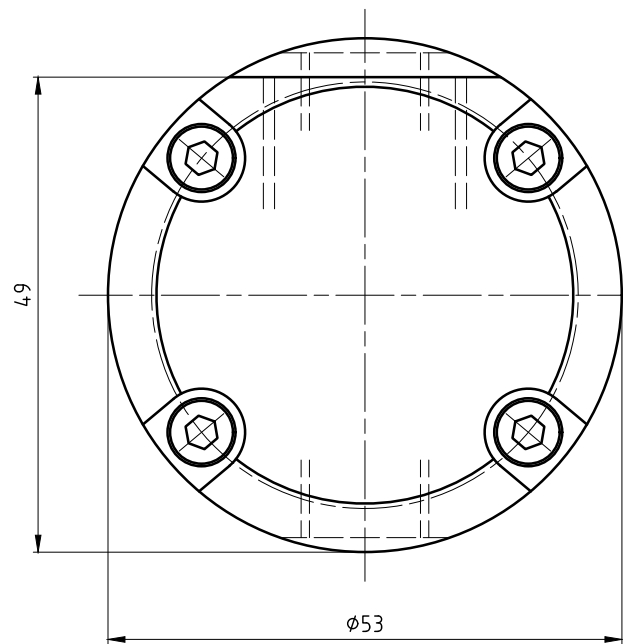
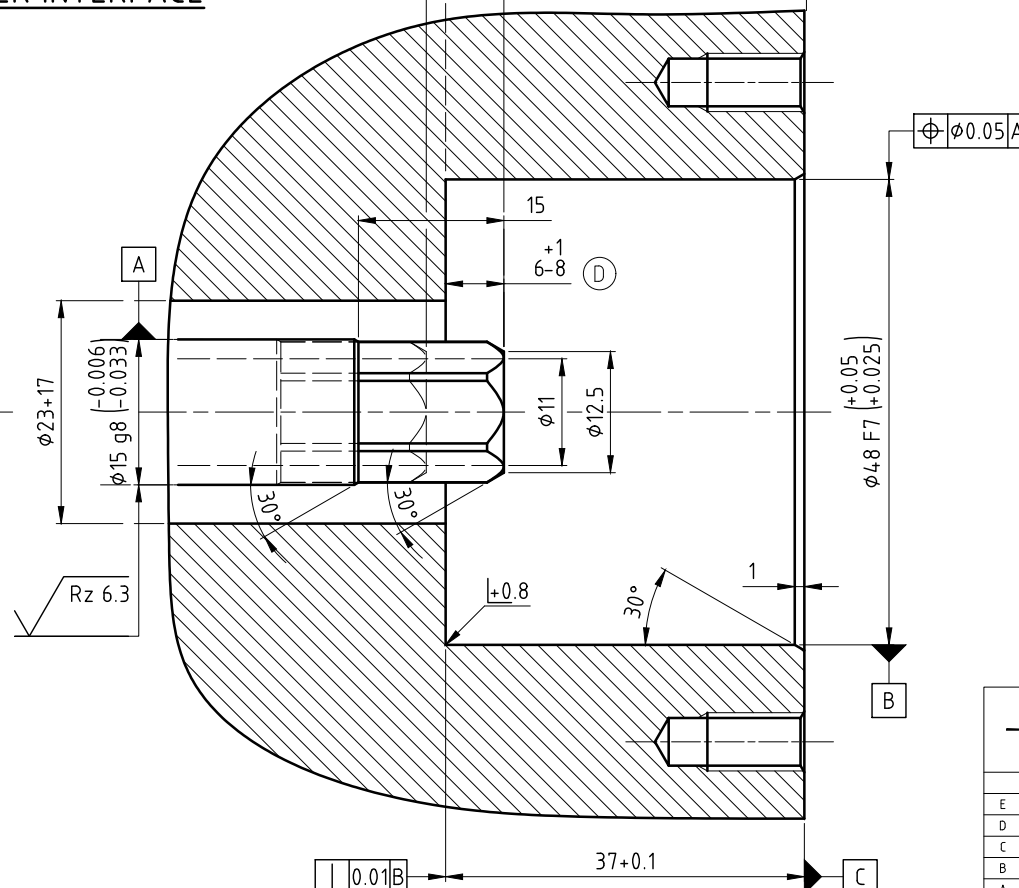
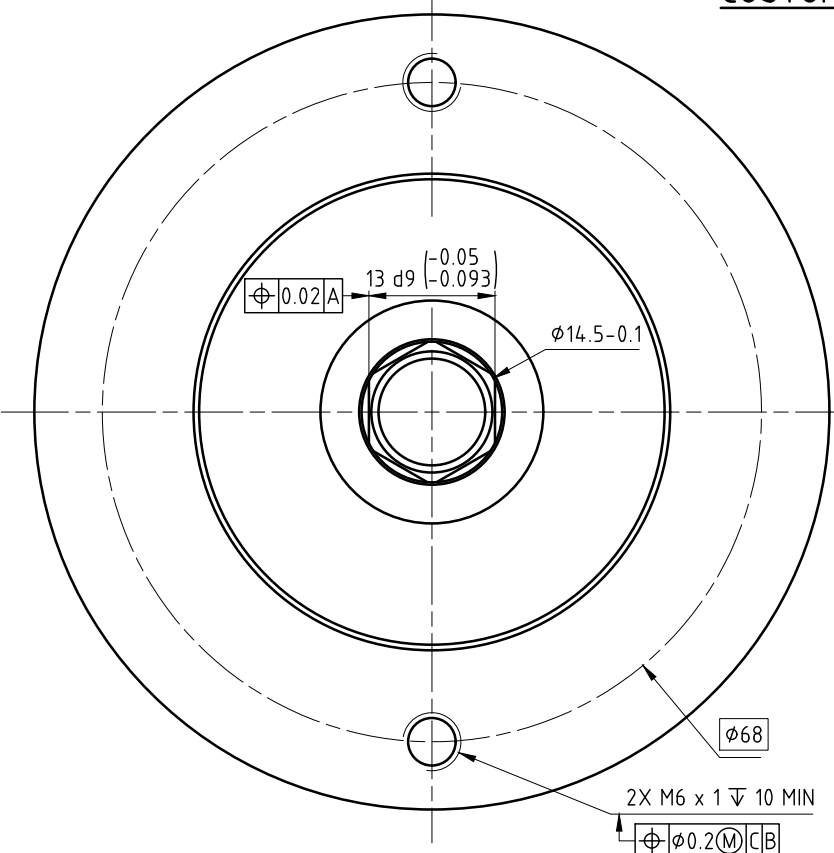


NOTES:

- ① - MEDIA SUPPLY PORT IS COMPLIANT WITH ISO 228 & ISO 1179. RECOMMENDED FITTING TIGHTENING TORQUE IS 80 Nm.
- ② - DRAIN PORT THREAD DEPTH IS SHORTER THAN REQUIREMENT FOR A STANDARD FITTING. DRAIN FITTING THREAD LENGTH CAN NOT EXCEED 8 mm.
- ③ - ALLOWABLE MOVEMENT OF DRAWBAR.



CUSTOMER INTERFACE



OPERATING DATA			
		COOLANT	MQL
MEDIA PRESSURE	MAXIMUM	140 bar	10 bar
	MINIMUM	5 bar	5 bar
FLOW RATE	MAXIMUM	200 L/min	7240 NL/min
	MINIMUM	15 L/min	750 NL/min
TEMPERATURE	MAXIMUM	70 °C	70 °C
	MINIMUM	5 °C	5 °C
MAXIMUM SPEED		17000 min <sup>-1</sup>	17000 min <sup>-1</sup>
AXIAL FORCE		17.7 N/bar	
DRY RUN		UNPRESSURIZED ONLY	
RECOMMENDED FILTRATION		ISO 4406 CLASS 17/15/12	

**DEUBLIN**  
 Engineered for Performance

PROJECTION:

SCALE: 2:1

MATERIAL: INTERFACE CONTROL DRAWING

TITLE: DEUBLIN UNION, BORE MOUNTED 48MM BORE, POP-OFF

NO. 1110-800-802

SHEET A2

ISSUE	MODIFICATION	ECO	DATE	SIGN
E	GERM LAYER REVISED	038289	07/16	CB
D	REV-0, customer approved	034758	12/15	LG
C	ADD LENGTH TO ANGLED	29860	08/14	MC
B	ADD DIMENSIONS	029838	08/14	MC
A	CORRECTED NOTE INDICATORS	09085	08/14	AL

UNLESS SPECIFICALLY TOLERANCED, ALL DIMENSIONS ARE CONSIDERED REFERENCE