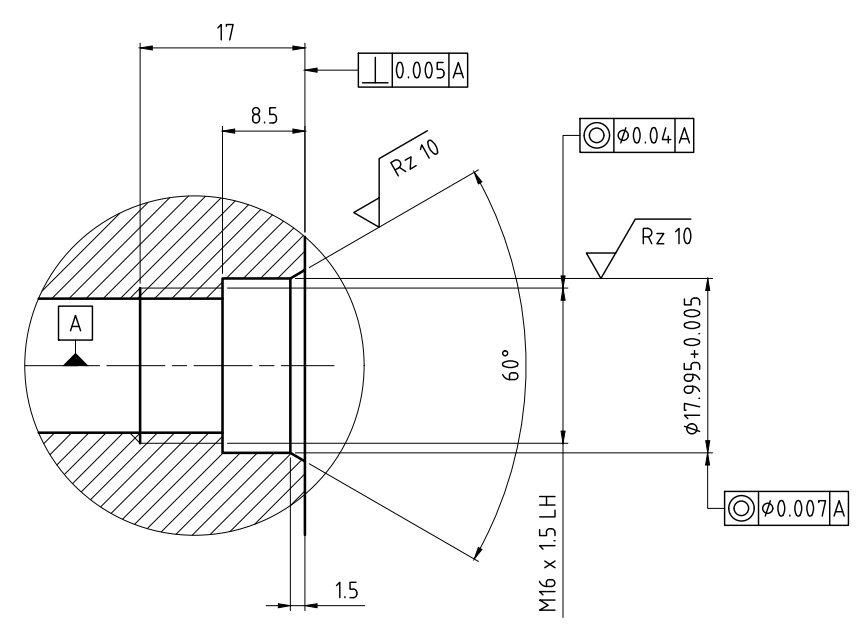
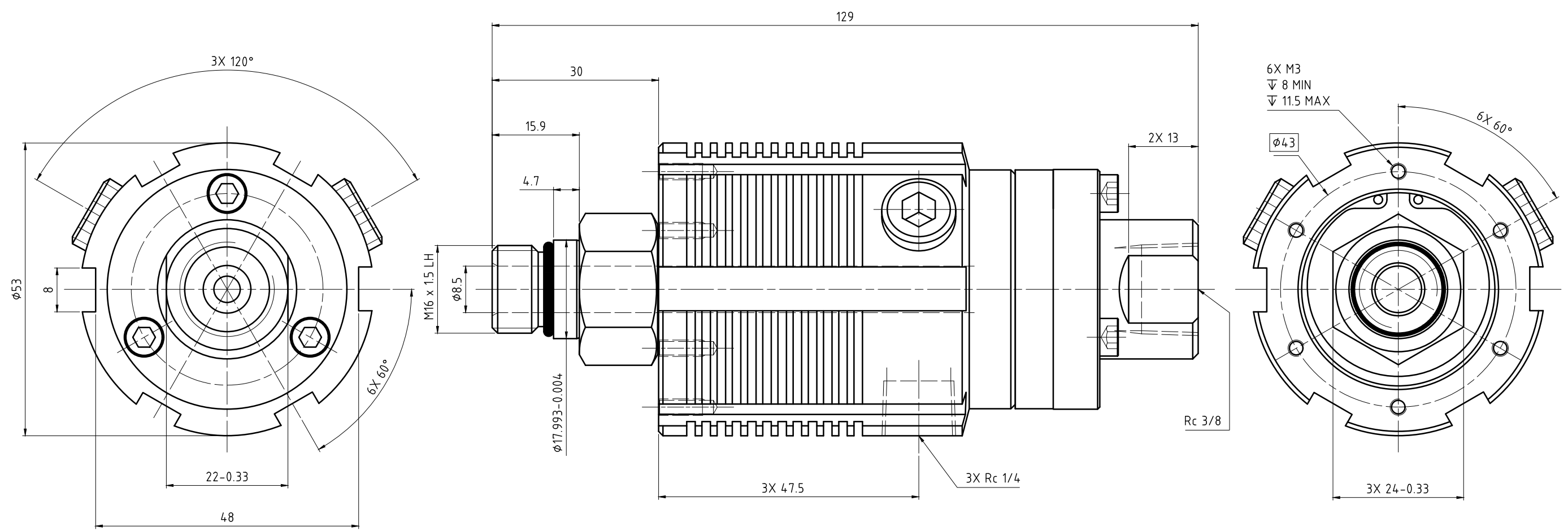


CONFIDENTIAL  
 THIS DOCUMENT CONTAINS CONFIDENTIAL AND PROPRIETARY INFORMATION OF DEUBLIN COMPANY. COPYING, USE, TRANSMISSION, DISTRIBUTION, AND DISCLOSURE ARE SUBJECT TO THE TERMS AND CONDITIONS CONTAINED IN YOUR AGREEMENT WITH DEUBLIN COMPANY. ALL RIGHTS RESERVED.



OPERATING DATA			
MEDIA		COOLANT	MQL
MEDIA	MAXIMUM	105 bar	10 bar
PRESSURE	MINIMUM	1 bar	1 bar
FLOW RATE	MAXIMUM	82 L/min	3810 NL/min
	MINIMUM	6 L/min	360 NL/min
TEMPERATURE	MAXIMUM	70 °C	70 °C
	MINIMUM	5 °C	5 °C
MAXIMUM SPEED		20000 min <sup>-1</sup>	20000 min <sup>-1</sup>
DRY RUN	UNPRESSURIZED ONLY		
RECOMMENDED FILTRATION	ISO 4406 CLASS 17/15/12		

**DEUBLIN**  
 Engineered for Performance

PROJECTION:

SCALE: 2:1

MATERIAL: INTERFACE CONTROL DRAWING

TITLE: DEUBLIN UNION

NO. 1109-073-188

SHEET A2

DATE	NAME	TITLE
DRN. 20.04.2006	Ch. Wolf	DEUBLIN UNION
ENGR. 20.04.2006	H.J. Huhn	
APPD.		

ISSUE	MODIFICATION	ECO	DATE	SIGN
B	ADD ITALIAN LAYER	031349	01/15	RA
A	UPDATED DWG	025297	01/14	RA

UNLESS SPECIFICALLY TOLERANCED, ALL DIMENSIONS ARE CONSIDERED REFERENCE