

CONFIDENTIAL

The reproduction, distribution and utilization of this document as well as the communication of its contents to others without express authorization is prohibited. Offenders will be held liable for the payment of damages. All rights reserved in the event of the grant of a patent, utility model or design.

(A) NOTES:

1 - CONTACT DEUBLIN OR VISIT WWW.DEUBLIN.COM FOR INSTRUCTION MANUAL: 040-550

2 - PIPE SUPPLIED BY CUSTOMER.

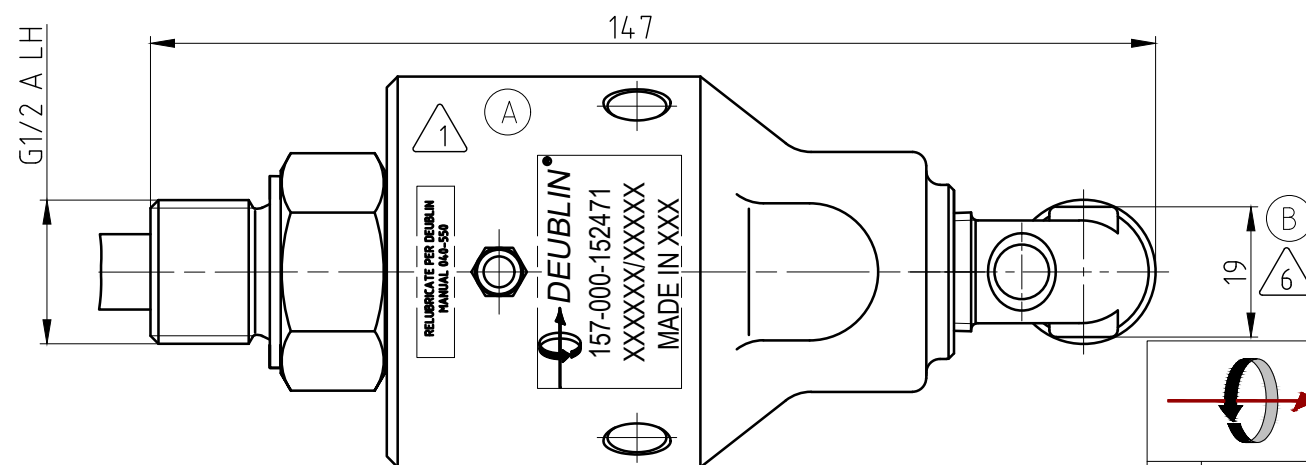
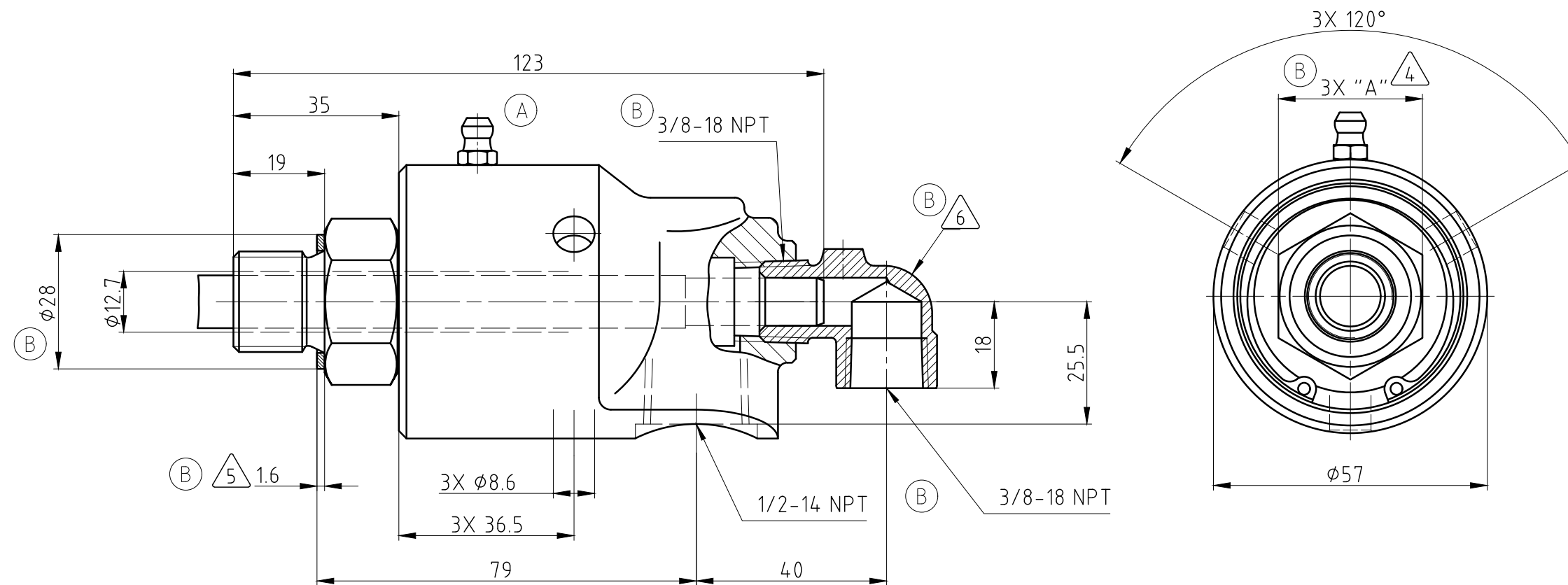
3 - PIPE LENGTH.

4 - DEPENDING ON COUNTRY OF ORIGIN, HEX STOCK MAY VARY AS NOTED. SEE TABLE FOR ACCEPTABLE WRENCH SIZES.

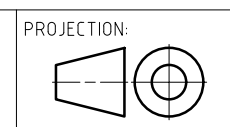
(B)

5 - GASKET THICKNESS.

6 - FITTING TO BE ASSEMBLED HAND-TIGHT, OR MAY BE SHIPPED UNASSEMBLED.



OPERATING DATA			
MEDIA	WATER	SATURATED STEAM (INTERMITTENT)	THERMAL OIL
PRESSURE MAX.	50 bar	1 bar	6.6 bar
SPEED MAX.	3500 min <sup>-1</sup>		
TEMPERATURE MAX.	121 °C		
DRY RUN (WITHOUT ANY MEDIA)	NO		
RECOMMENDED FILTRATION	60 micron		



PROJECTION:   
 SCALE: 1:1   
 MATERIAL: INTERFACE CONTROL DRAWING

UNITS	HEX SIZES		WRENCHES	
	"A"	30mm	1 1/8"	
METRIC [mm]	30-0.13	✓	X	
IMPERIAL [in]	1.125-0.006	✓	✓	

ISSUE/	MODIFICATION	ECO	DATE	SIGN
B	SEE ECO	60341	03/21	MSk
A	SEE ECO	056312	05/20	MZe

DRN. 27.05.2020 MZe  
ENGR. 27.05.2020 RMika  
APPD.  
TITLE: DEUBLIN ROTATING UNION  
DEUBLIN Drehdurchführung  
NO. 157-000-152471  
SHEET A3

UNLESS SPECIFICALLY TOLERANCED, ALL DIMENSIONS ARE CONSIDERED REFERENCE