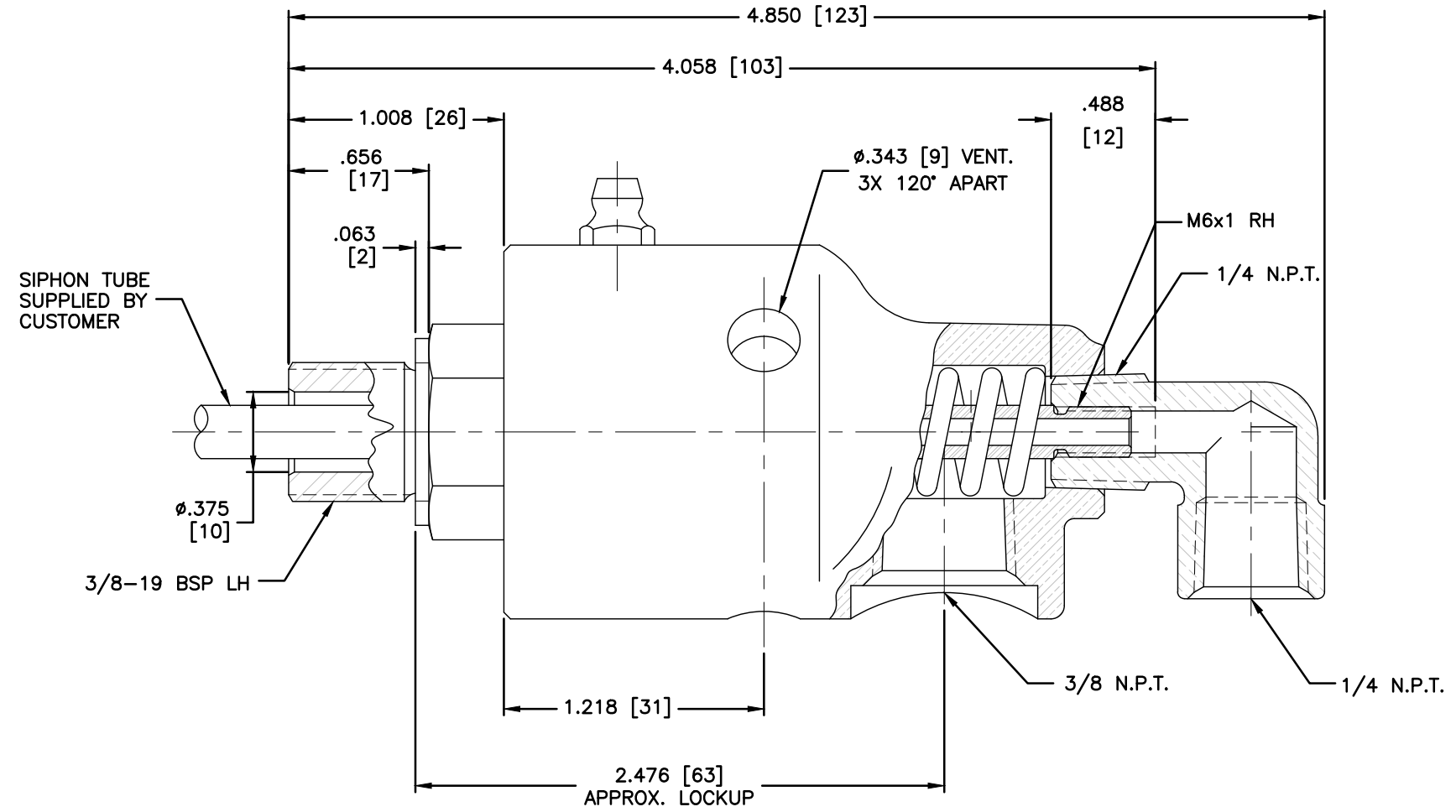
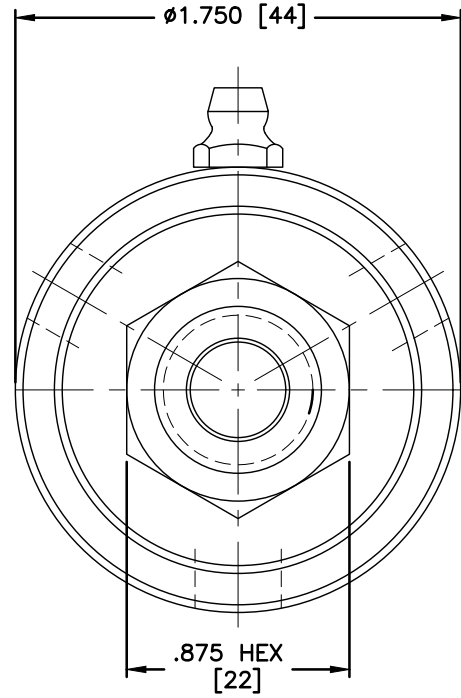


NOTES:

1 - WHEN ORDERING FROM DEUBLIN USE PART NUMBER: 55-000-095-120.

DWG. NO.  
55-000-095-120-IC



CONFIDENTIAL  
THIS DOCUMENT CONTAINS CONFIDENTIAL AND PROPRIETARY INFORMATION OF DEUBLIN COMPANY. COPYING, USE, TRANSMISSION, DISTRIBUTION, AND DISCLOSURE ARE SUBJECT TO THE TERMS AND CONDITIONS CONTAINED IN YOUR AGREEMENT WITH DEUBLIN COMPANY. ALL RIGHTS RESERVED.

SCALE	2:1	DWG SIZE	C
DRN	RM	12/27/04	
ENGR	ARS	12/27/04	
APPD	ARS	12/27/04	
PART NO.	55-000-095-120		
CUSTOMER			
LET.	REVISION	ECO	DATE SIGN

UNLESS SPECIFICALLY TOLERANCED, ALL DIMENSIONS ARE REFERENCE  
DIMENSIONS IN [ ] ARE IN MILLIMETERS.

**DEUBLIN** COMPANY  
WAUKEGAN, ILLINOIS, U.S.A.

TITLE: INTERFACE CONTROL  
DRAWING FOR DEUBLIN  
UNION 55-000-095-120

DWG. NO. 55-000-095-120-IC  
C.A.D. DRAWING