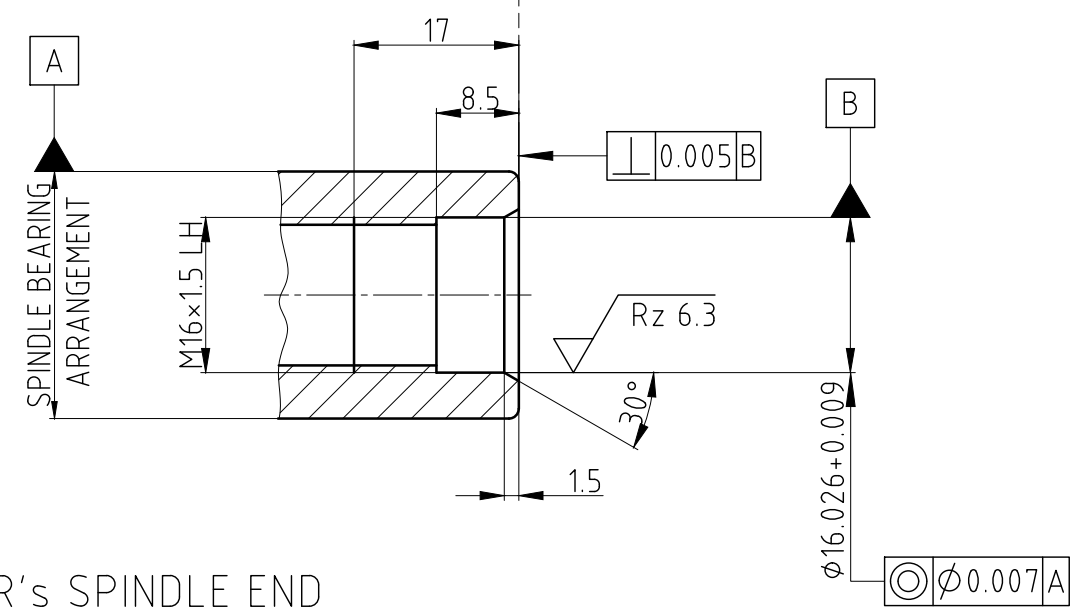
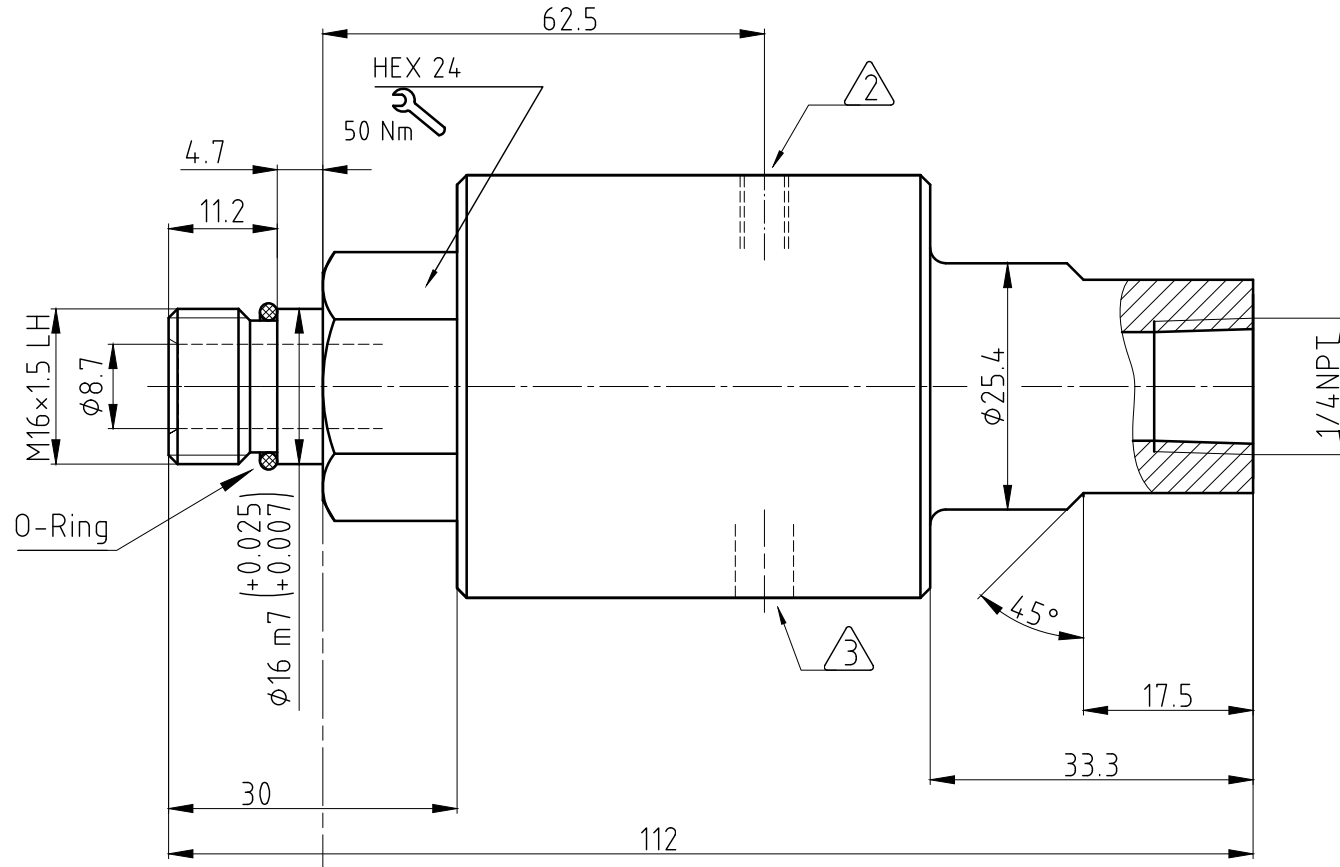
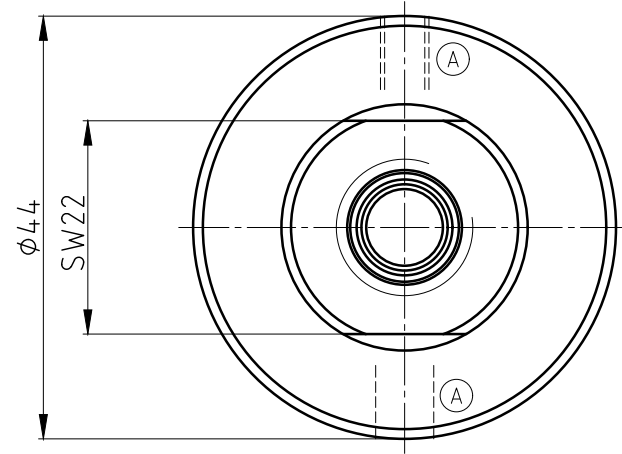


CONFIDENTIAL
 THIS DOCUMENT CONTAINS CONFIDENTIAL AND PROPRIETARY
 INFORMATION OF DEUBLIN COMPANY. COPYING, USE,
 TRANSMISSION, DISTRIBUTION, AND DISCLOSURE ARE SUBJECT
 TO THE TERMS AND CONDITIONS CONTAINED IN YOUR
 AGREEMENT WITH DEUBLIN COMPANY. ALL RIGHTS RESERVED.

φ16	m7	+0.025	+0.025
Maß	Passung	-0.007	-0.007



NOTES:

- 1 - USE INSTRUCTION MANUAL 040-554
-  - VENT HOLE M5
-  - VENT HOLE φ6



CUSTOMER'S SPINDLE END

OPERATING DATA	
MEDIA	COOLANT
MAX.PRESSURE	70 bar
MAX. SPEED	12000 1/min
MAX.TEMPERATURE.	70 °C
FILTRATION	60 µm

 DEUBLIN GmbH D-65719 HOFHEIM-WALLAU, GERMANY		PROJECTION: 	SCALE: 2:1 MATERIAL: INTERFACE CONTROL DRAWING												
<table border="1"> <tr> <th>DATE</th> <th>NAME</th> </tr> <tr> <td>DRN. 20.04.2009</td> <td>HJH</td> </tr> <tr> <td>ENGR. 20.04.2009</td> <td>CW</td> </tr> <tr> <td>APPD.</td> <td></td> </tr> </table>		DATE	NAME	DRN. 20.04.2009	HJH	ENGR. 20.04.2009	CW	APPD.		TITLE: DEUBLIN ROTATING UNION DEUBLIN Drehdurchführung					
DATE	NAME														
DRN. 20.04.2009	HJH														
ENGR. 20.04.2009	CW														
APPD.															
<table border="1"> <tr> <th>ISSUE</th> <th>MODIFICATION</th> <th>ECO</th> <th>DATE</th> <th>GA</th> <th>SIGN</th> </tr> <tr> <td>A</td> <td>ADDED HIDDEN LINES</td> <td>008814</td> <td>2/10</td> <td>GA</td> <td></td> </tr> </table>		ISSUE	MODIFICATION	ECO	DATE	GA	SIGN	A	ADDED HIDDEN LINES	008814	2/10	GA		NO. 1116-486-143	
ISSUE	MODIFICATION	ECO	DATE	GA	SIGN										
A	ADDED HIDDEN LINES	008814	2/10	GA											
UNLESS SPECIFICALLY TOLERANCED, ALL DIMENSIONS ARE CONSIDERED REFERENCE				SHEET A2											