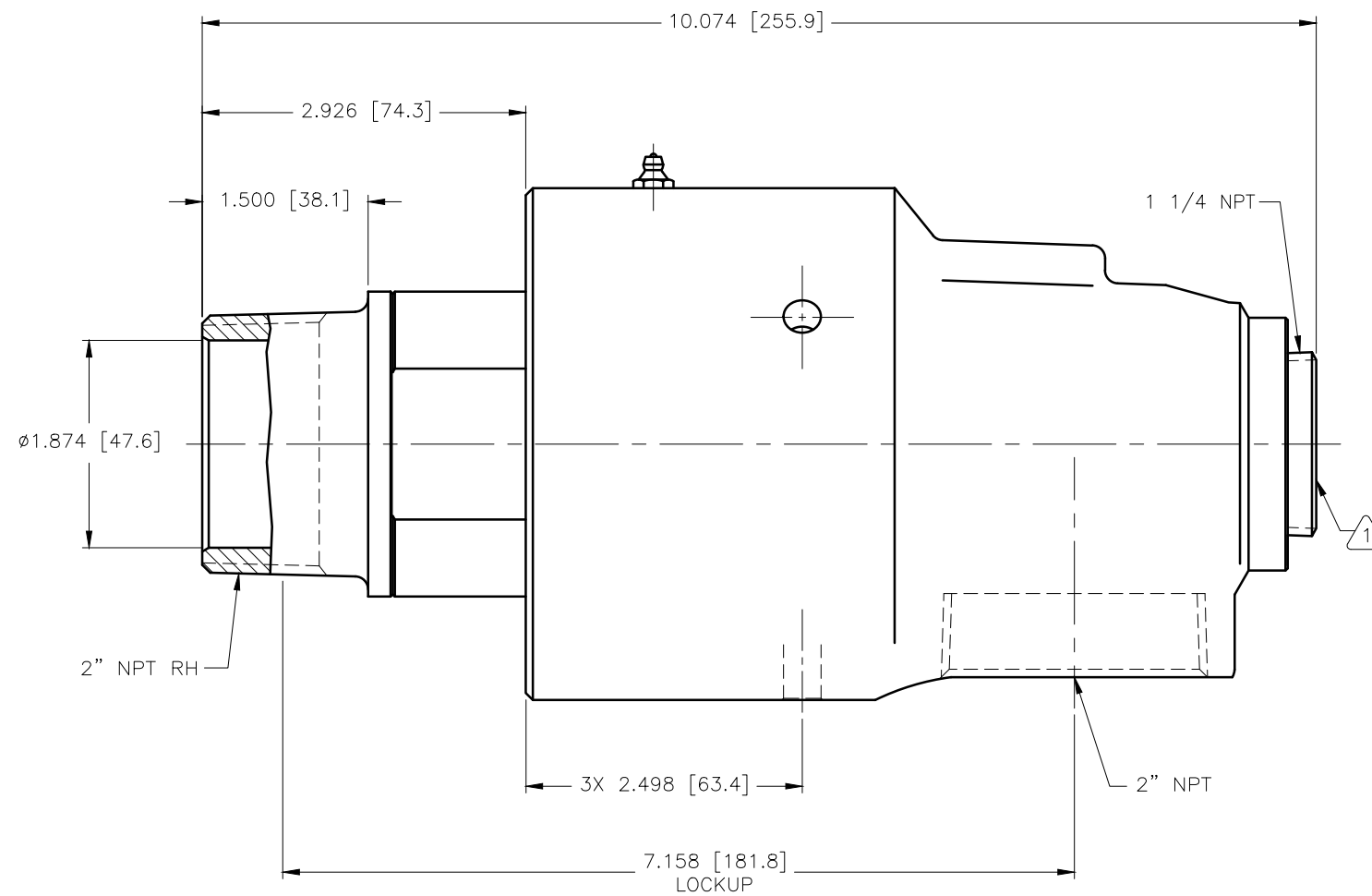
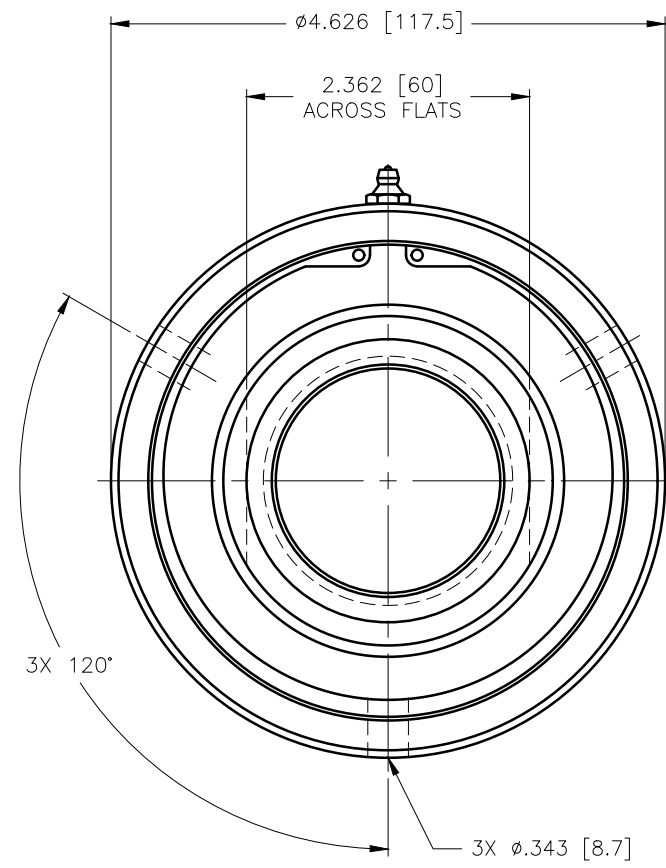
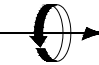


CONFIDENTIAL  
 THIS DOCUMENT CONTAINS CONFIDENTIAL AND PROPRIETARY INFORMATION OF DEUBLIN COMPANY. COPYING, USE, TRANSMISSION, DISTRIBUTION, AND DISCLOSURE ARE SUBJECT TO THE TERMS AND CONDITIONS CONTAINED IN YOUR AGREEMENT WITH DEUBLIN COMPANY. ALL RIGHTS RESERVED.

NOTES:

① - PLUG INSTALLED HAND TIGHT FROM FACTORY. IF PORT IS NOT UTILIZED, TIGHTEN BEFORE USE.



SCALE	1 = 1	DWG SIZE		UNLESS SPECIFICALLY TOLERANCED, ALL DIMENSIONS ARE REFERENCE	 <b>DEUBLIN</b> COMPANY WAUKEGAN, ILLINOIS, U.S.A.
DRN	NR	11/25/09			
ENGR	SS	11/25/09			
APPD	SS	11/25/09			
PART NO.	655-091-116			DIMENSIONS IN [ ] ARE IN MILLIMETERS.	TITLE: INTERFACE CONTROL DRAWING OF DEUBLIN UNION 655-091-116
CUSTOMER					
LET.	REVISION	ECO	DATE	SIGN	DWG NO. 655-091-116 C.A.D. DRAWING