

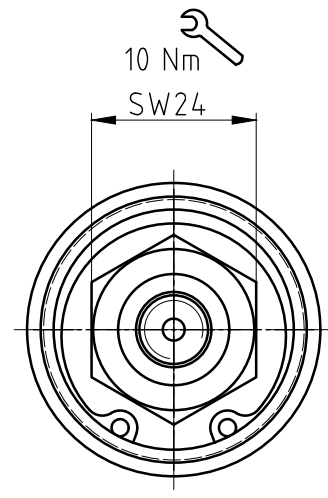
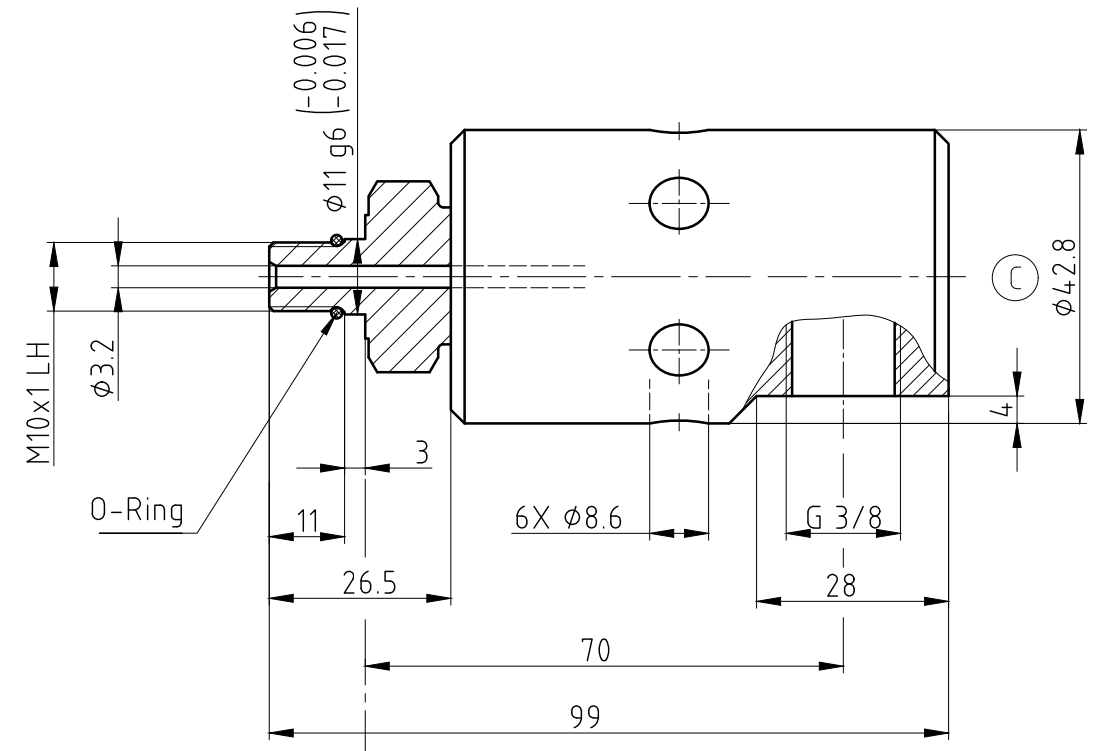
8 7 6 5 4 3 2 1

**CONFIDENTIAL**  
 The reproduction, distribution and utilization of this document as well as the communication of its contents to others without express authorization is prohibited. Offenders will be held liable for the payment of damages. All rights reserved in the event of the grant of a patent, utility model or design.

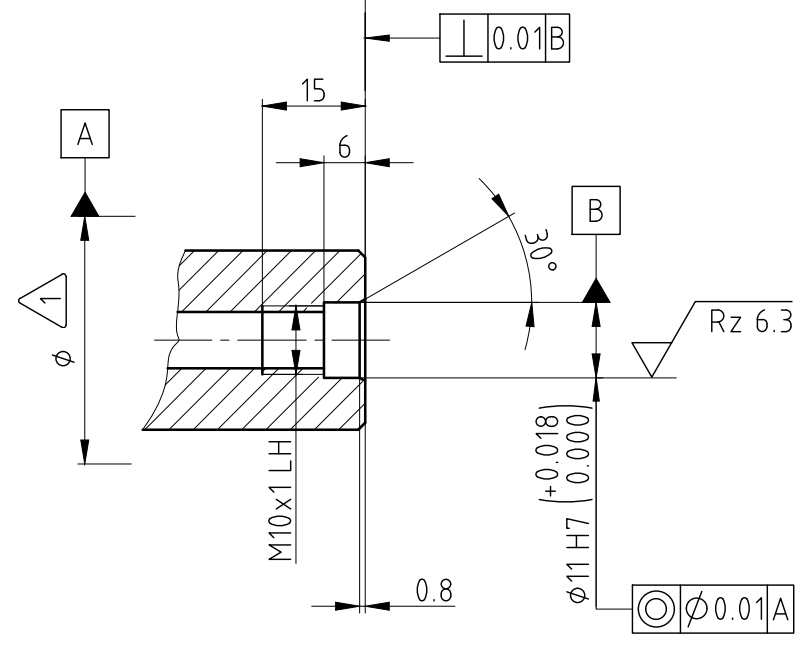
φ11	h8	0 0.006 -0.018	10.994 10.983
φ11	h8	+0.006 0.007	10.994 10.983
M10x1	B3	P 1.500000	

**NOTES:**

- 1 - CONTACT DEUBLIN OR VISIT WWW.DEUBLIN.COM FOR INSTRUCTION MANUAL: 040-552
- 2 - SPINDLE BEARING ARRANGEMENT.



ⓓ **CUSTOMER INTERFACE**



OPERATING DATA	
MEDIA	COOLANT
MAXIMUM PRESSURE	105 bar
MAXIMUM SPEED	15000 1/min
MAXIMUM TEMPERATURE	70 °C
MAXIMUM FLOW	15 L/min

				PROJECTION:			SCALE: 1:1
					MATERIAL: INTERFACE CONTROL DRAWING		
				DATE	NAME	TITLE: DEUBLIN ROTATING UNION DEUBLIN Drehdurchführung	
D	Was Welende des Kunden	054624	01/20	RM	DRN. 03.11.2003	WRS	
C	WAS Ø436	029960	03/15	RM	ENGR. 03.11.2003	Ch.Wolf	
B	SEE ECO	026072	03.12.12	HS			
a	MET/DWG/NO DRY RUN	06041	02.03.06	FD	UNLESS SPECIFICALLY TOLERANCED, ALL DIMENSIONS ARE CONSIDERED REFERENCE		
ISSUE	MODIFICATION	ECO	DATE	SIGN			NO. 1101-195-424
							SHEET A3

8 7 6 5