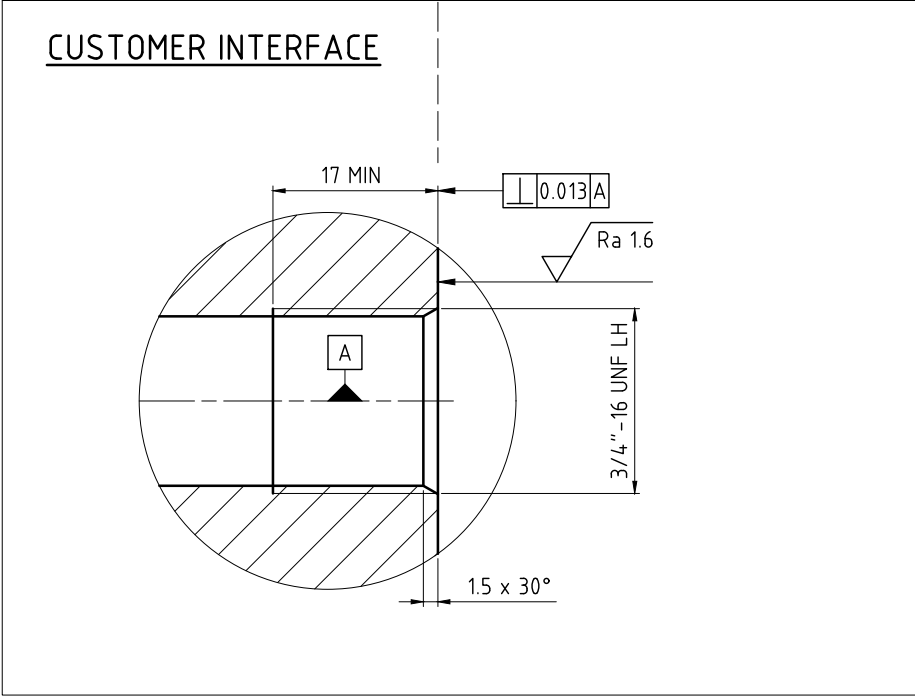
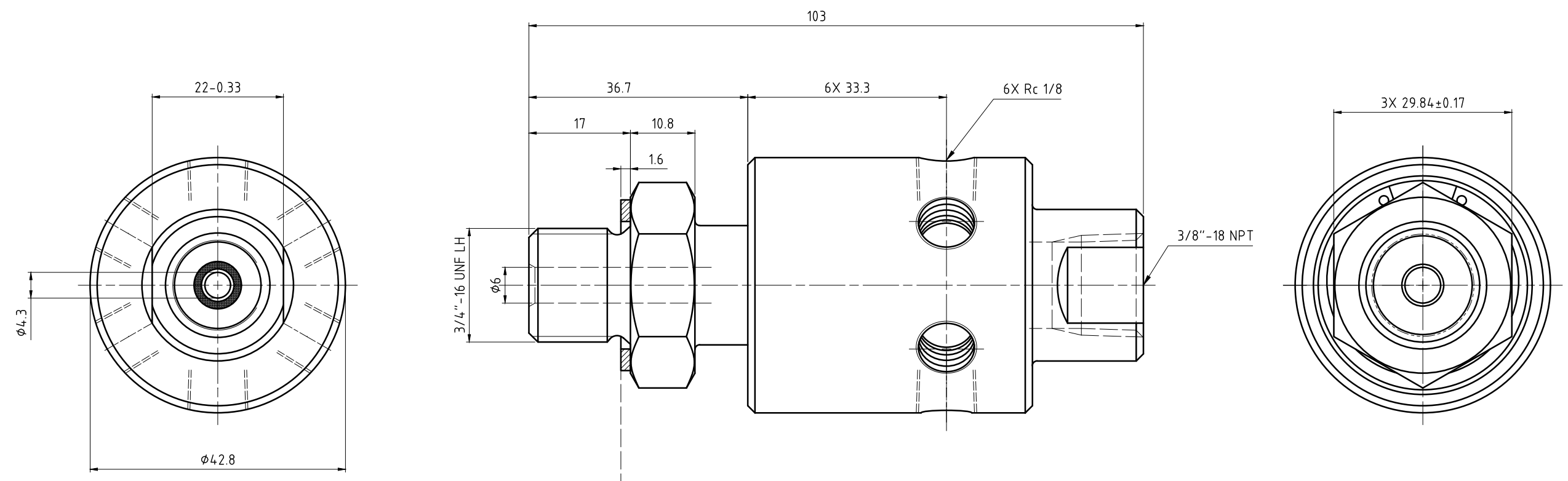


CONFIDENTIAL
 THIS DOCUMENT CONTAINS CONFIDENTIAL AND PROPRIETARY
 INFORMATION OF DEUBLIN COMPANY. COPYING, USE,
 TRANSMISSION, DISTRIBUTION, AND DISCLOSURE ARE SUBJECT
 TO THE TERMS AND CONDITIONS CONTAINED IN YOUR
 AGREEMENT WITH DEUBLIN COMPANY. ALL RIGHTS RESERVED.



OPERATING DATA		
MEDIA	WATER SERVICE	
UNION SERVICE LIFE	700 HOURS	460 HOURS
MAXIMUM PRESSURE	345 bar / 5000 psi	414 bar / 6000 psi
MAXIMUM SPEED	1500 RPM	
MAXIMUM TEMPERATURE	71°C / 160°F	

			SCALE: 2:1
NONE CUST APPRVD-PROD RED 32674 10/15 LG		DRN. 07/13/2015 lgalindo	MATERIAL: INTERFACE CONTROL DRAWING TITLE: DEUBLIN UNION, WATER SERVICE 3/4-16 UNF LH ROTOR
01 revised rotor 033929 10/15 LG		ENGR. L. Freed	
00 initial release to customer 033929 07/15 lg		APPD.	NO. 1101-247-022
ISSUE MODIFICATION ECO DATE SIGN		UNLESS SPECIFICALLY TOLERANCED, ALL DIMENSIONS ARE CONSIDERED REFERENCE	
			SHEET A2