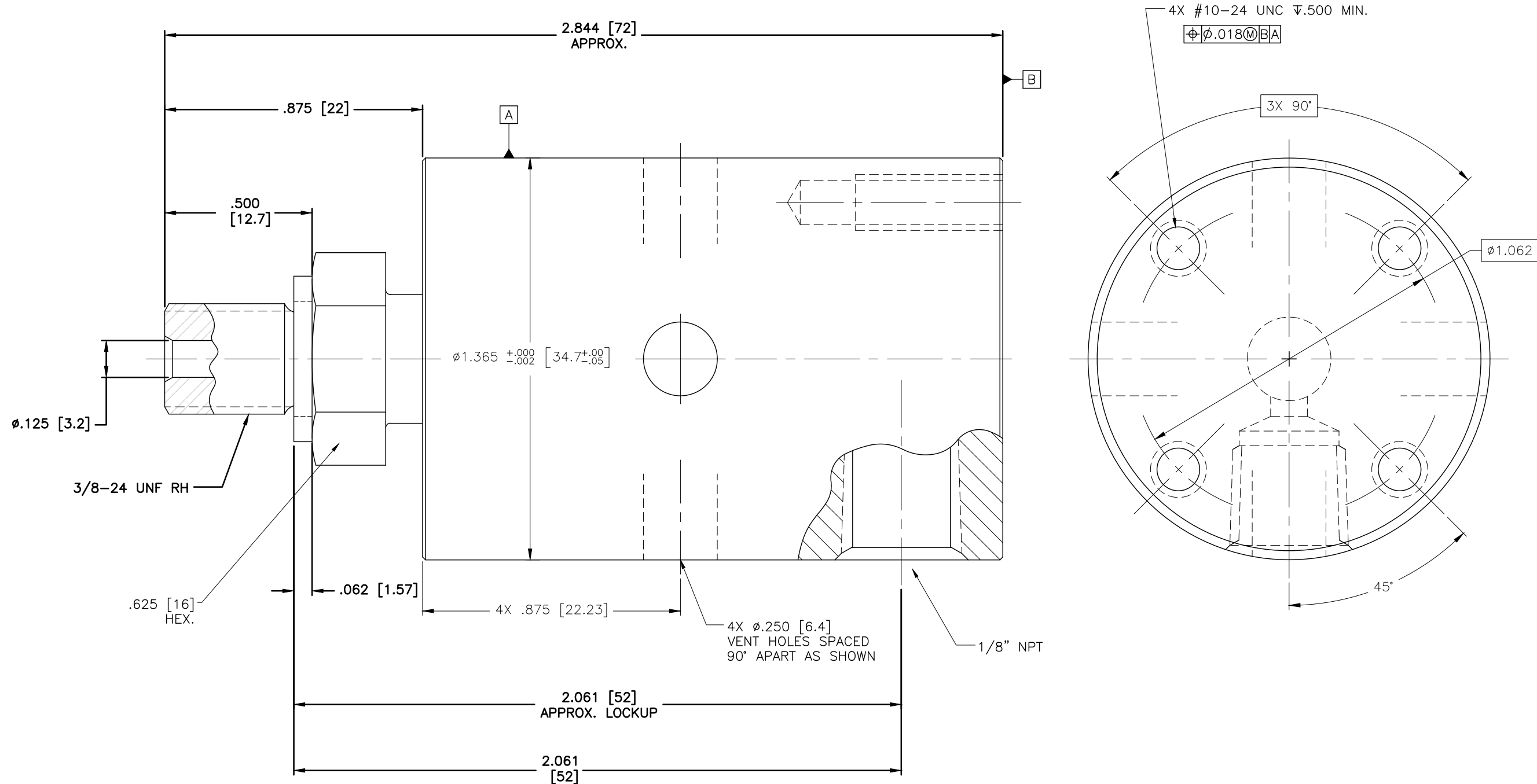


NOTES:

1 - WHEN ORDERING FROM DEUBLIN USE PART NUMBER: 1005-625-019.



OPERATING DATA		
MEDIA	AIR & HYDRAULIC	
MAX AIR PRESSURE	150 PSI	10 bar
MAX VACUUM	28" Hg	6.7 kPa
MAX HYD. PRESSURE	1000 PSI	70 bar
MAX SPEED	3500 RPM	3500/min
MAX TEMPERATURE	250°F	121°C

CONFIDENTIAL
 THIS DOCUMENT CONTAINS PROPRIETARY INFORMATION AND IS NOT TO BE TRANSMITTED, REPRODUCED, USED OR DISCLOSED TO ANYONE WITHOUT THE WRITTEN PERMISSION OF THE DEUBLIN COMPANY.

EQUIPMENT REF:				SCALE	4:1	DWG SIZE	C
ASSY/TEST FIXTURES REQUIRED:				DRN	LG	01/17/07	
				ENGR	TW	01/17/07	
				APPD			
				UNLESS OTHERWISE SPECIFIED TOLERANCES ±.010. DIMENSIONS IN [] ARE IN MILLIMETERS.		TITLE: INTERFACE CONTROL DRAWING FOR UNION 1005-625-019	
				NO. 1005-625-019-IC		C.A.D DRAWING	
LET.	REVISION	ECO	DATE	SIGN			

