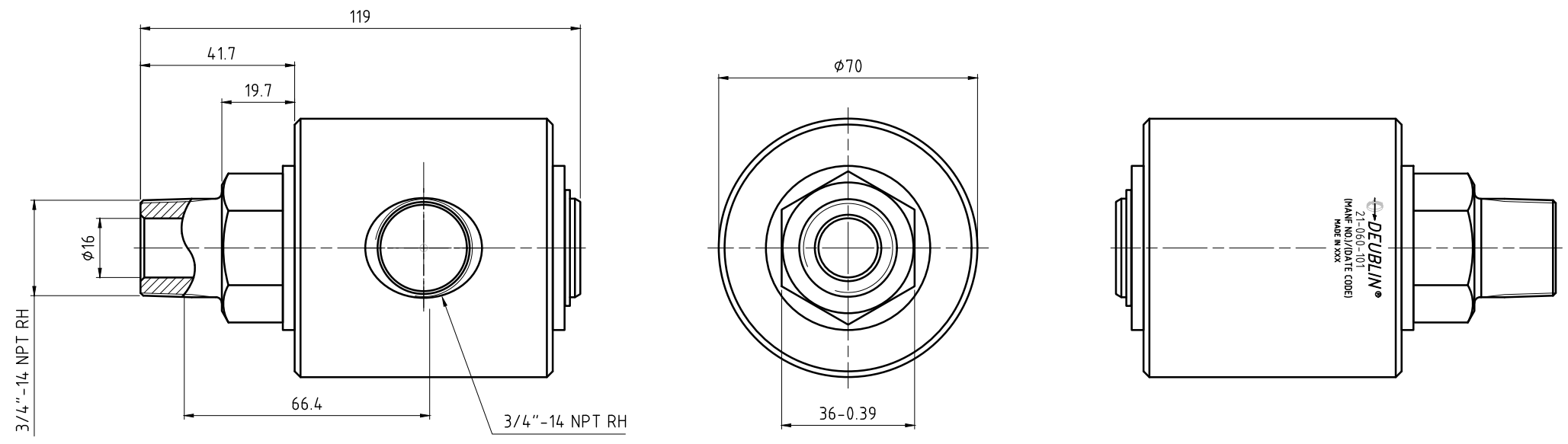


CONFIDENTIAL
 THIS DOCUMENT CONTAINS CONFIDENTIAL AND PROPRIETARY
 INFORMATION OF DEUBLIN COMPANY. COPYING, USE,
 TRANSMISSION, DISTRIBUTION, AND DISCLOSURE ARE SUBJECT
 TO THE TERMS AND CONDITIONS CONTAINED IN YOUR
 AGREEMENT WITH DEUBLIN COMPANY. ALL RIGHTS RESERVED.

NOTES:
 1 - OPERATION AT MAXIMUM PRESSURE COMBINED WITH MAXIMUM SPEED
 SHOULD BE AVOIDED.
 2 - USE INSTALLATION INSTRUCTION 040-513.



OPERATING DATA					
MEDIA		AIR	HYDRAULIC OIL	VACUUM	WATER
PRESSURE	MAXIMUM	10 bar	204 bar	6.7 kPa	103 bar
	MINIMUM	5 °C	5 °C	5 °C	5 °C
TEMPERATURE	MAXIMUM	121 °C	121 °C	121 °C	121 °C
	MINIMUM	5 °C	5 °C	5 °C	5 °C
SPEED	MAXIMUM	250 min ⁻¹	250 min ⁻¹	250 min ⁻¹	250 min ⁻¹

DEUBLIN Engineered for Performance		PROJECTION: 	SCALE: 1:1
		DATE	NAME
		DRN. 11/09/2009	galindolm
		ENGR. 04/06/2010	eloacker
		APPD.	
TITLE: INTERFACE CONTROL DRAWING UNION, 21, 3/4" NPT RH ROTOR			
NO. 21-060-101			SHEET A2
ISSUE	MODIFICATION	ECO	DATE
			SIGN

UNLESS SPECIFICALLY TOLERANCED, ALL DIMENSIONS ARE CONSIDERED REFERENCE