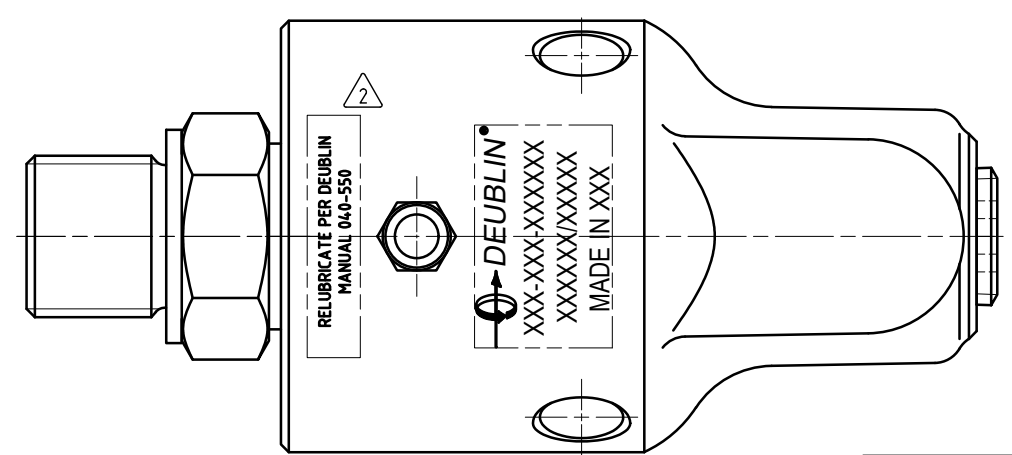
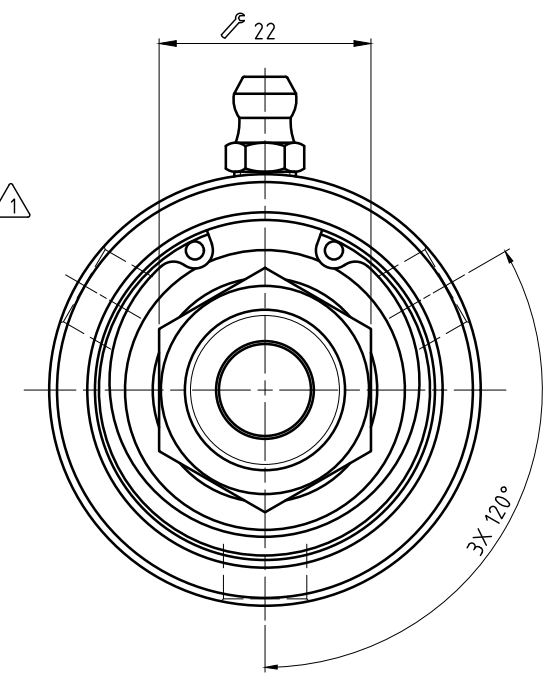
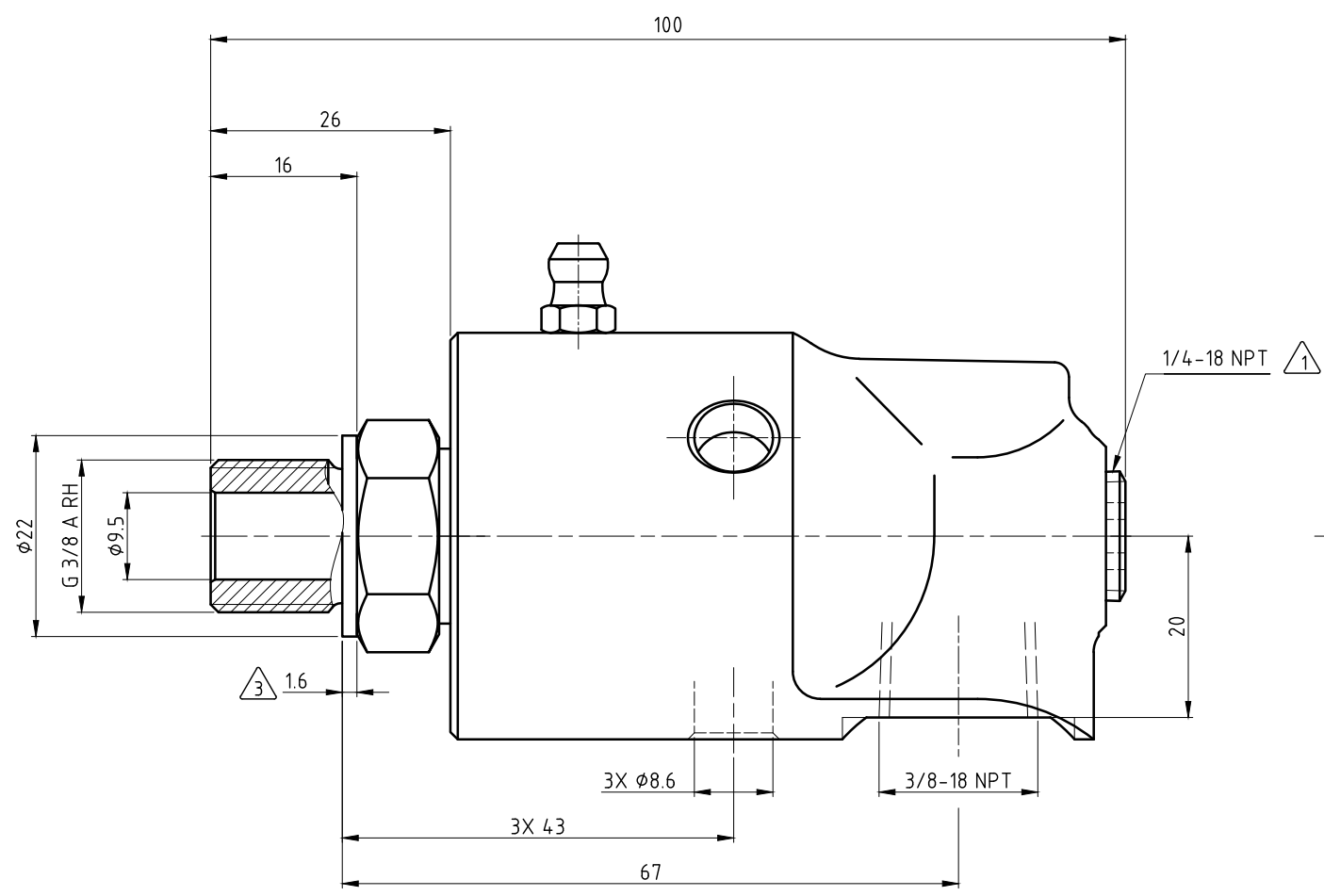
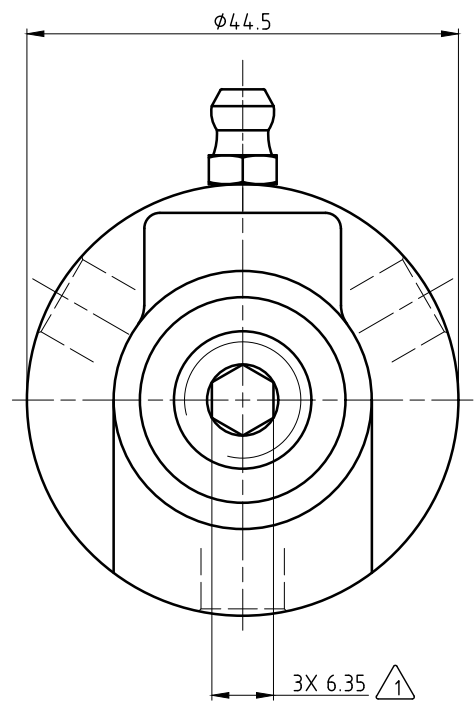


CONFIDENTIAL
 The reproduction, distribution and utilization of this document as well as the communication of its contents to others without express authorization is prohibited. Offenders will be held liable for the payment of damages. All rights reserved in the event of the grant of a patent, utility model or design.

- NOTES:
- ① - PLUG INSTALLED HAND TIGHT FROM FACTORY. IF PORT IS NOT UTILIZED, TIGHTEN BEFORE USE.
 - ② - CONTACT DEUBLIN OR VISIT WWW.DEUBLIN.COM FOR INSTRUCTION MANUAL: 040-550
 - ③ - GASKET THICKNESS.



OPERATING DATA	
MEDIA	WATER
PRESSURE MAX.	10 bar
SPEED MAX.	3500 min^{-1}
TEMPERATURE MAX.	90 °C
DRY RUN (WITHOUT ANY MEDIA)	NO
RECOMMENDED FILTRATION	60 micron

		PROJECTION:	SCALE: 2:1
			MATERIAL: INTERFACE CONTROL DRAWING
		DATE: 08/18/2020	NAME: MSveflecich
		ENGR. 10/16/2020	RMika
		APPD.	
		TITLE: DEUBLIN UNION	
		NO. 57-503-094	
A	RELEASE 05/23/20	08/20	MTS
ISSUE/MODIFICATION	ECO	DATE	SIGN
UNLESS SPECIFICALLY TOLERANCED, ALL DIMENSIONS ARE CONSIDERED REFERENCE			SHEET A2