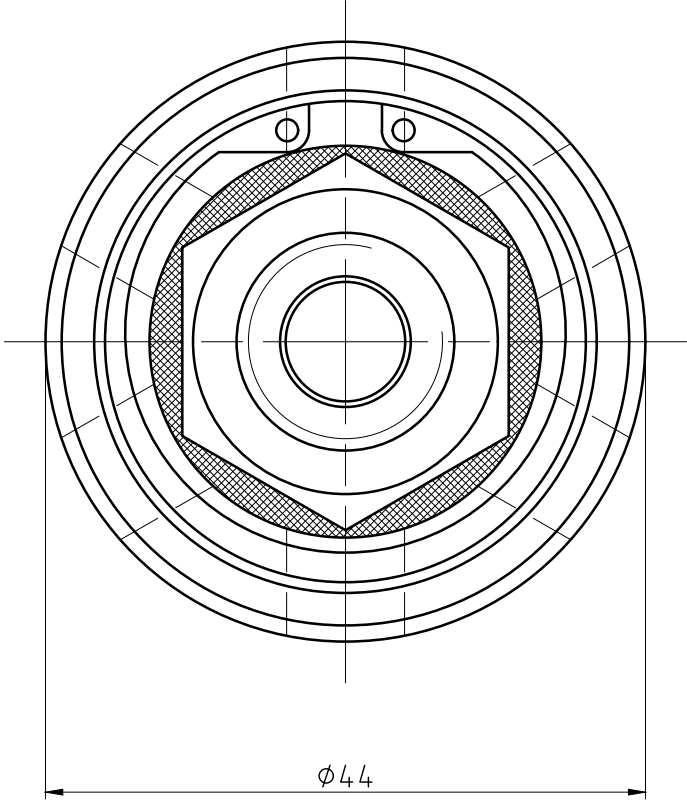
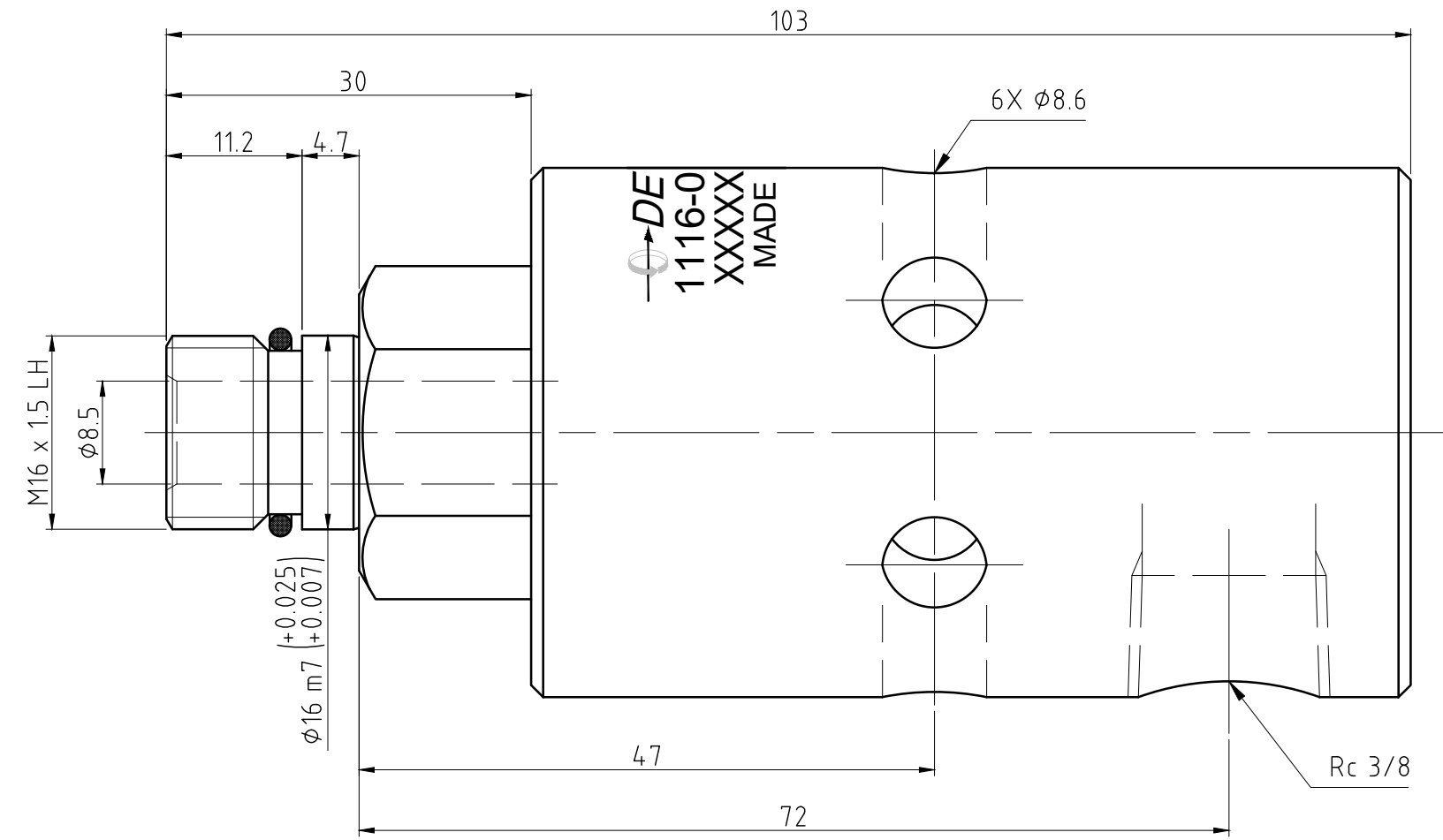
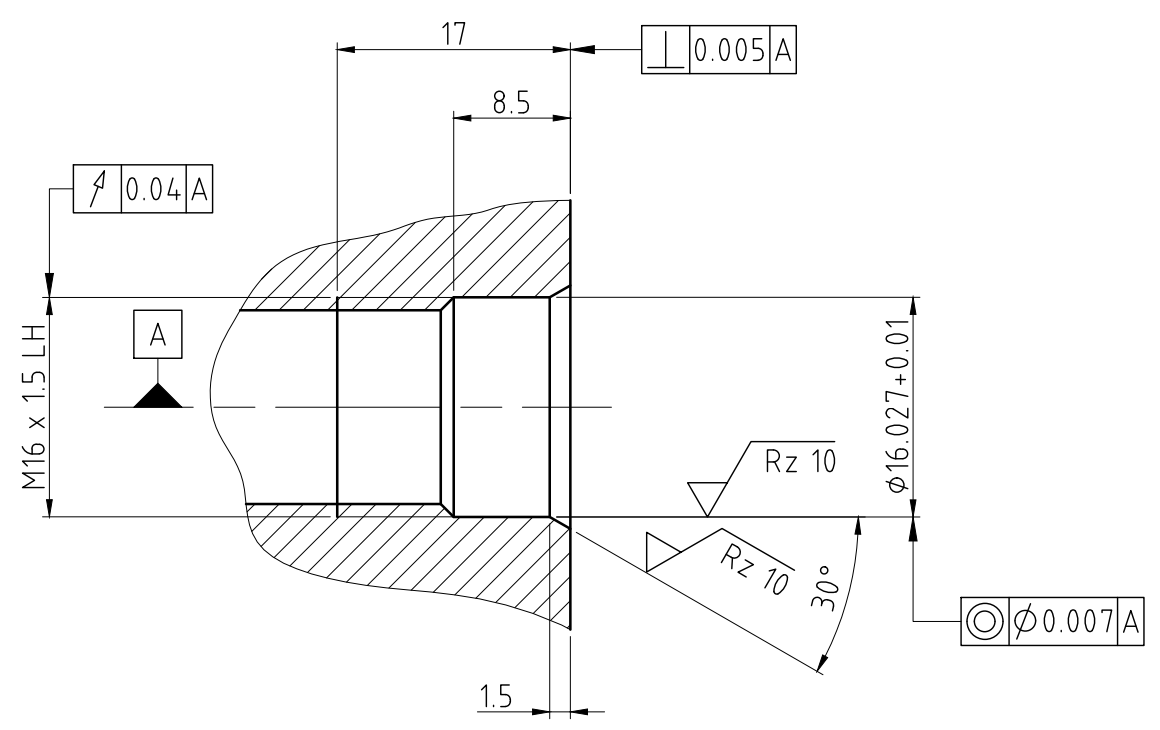


CONFIDENTIAL
 THIS DOCUMENT CONTAINS CONFIDENTIAL AND PROPRIETARY INFORMATION OF DEUBLIN COMPANY. COPYING, USE, TRANSMISSION, DISTRIBUTION, AND DISCLOSURE ARE SUBJECT TO THE TERMS AND CONDITIONS CONTAINED IN YOUR AGREEMENT WITH DEUBLIN COMPANY. ALL RIGHTS RESERVED.



CUSTOMER INTERFACE



		OPERATING DATA		
MEDIA		COOLANT	MQL	AIR
MEDIA PRESSURE	MAXIMUM	70 bar	10 bar	10 bar
	MINIMUM	-	-	-
FLOW RATE	MAXIMUM	82 L/min	3810 NL/min	3810 NL/min
	MINIMUM	-	-	-
TEMPERATURE	MAXIMUM	70 °C	70 °C	70 °C
	MINIMUM	5 °C	5 °C	5 °C
MAXIMUM SPEED		12000 min ⁻¹	12000 min ⁻¹	6000 min ⁻¹
DRY RUN		6000 min ⁻¹ MAX		
RECOMMENDED FILTRATION		ISO 4406 CLASS 17/15/12		

		PROJECTION:	SCALE: 2:1	MATERIAL: INTERFACE CONTROL DRAWING		
		DATE	NAME		TITLE:	
		DRN. 05/13/14	RA	DEUBLIN UNION		
		ENGR. 05/27/14	AL			
		APPD.				
A	REVISED OPERATING DATA	055160	02/20	NR	NO. 1116-029-143	SHEET A3
NONE	RELEASED	028474	05/14	AL		
ISSUE	MODIFICATION	ECO	DATE	SIGN	UNLESS SPECIFICALLY TOLERANCED, ALL DIMENSIONS ARE CONSIDERED REFERENCE	