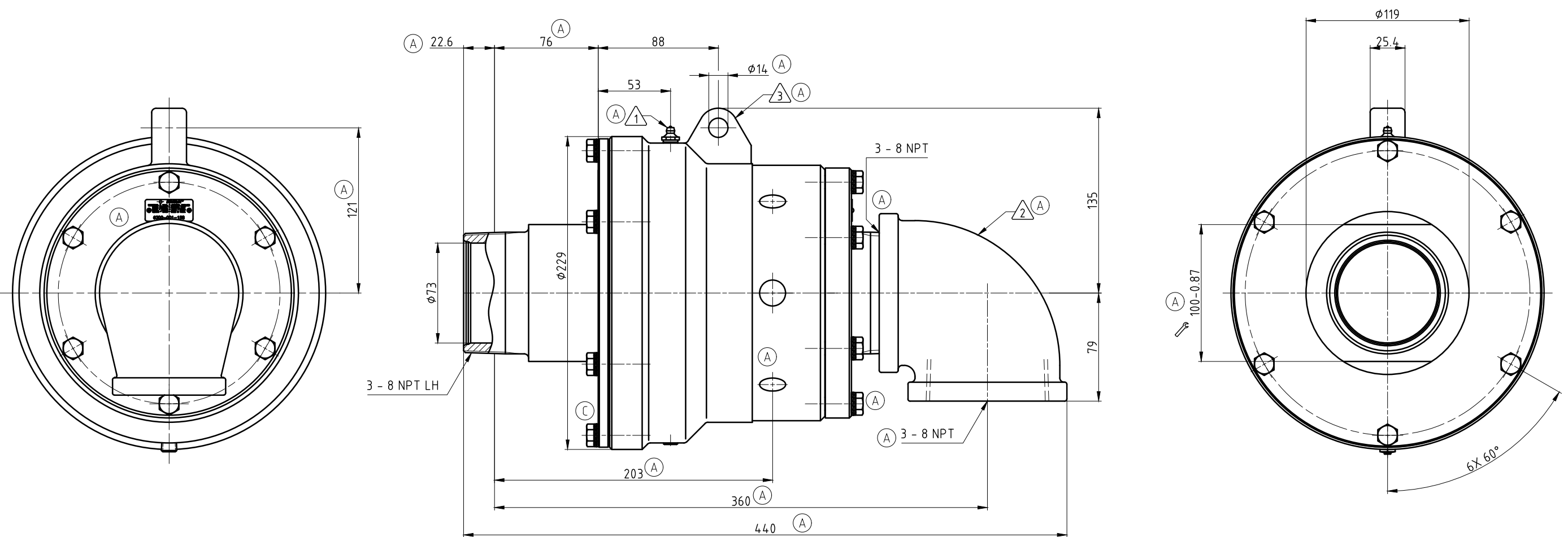


CONFIDENTIAL
 The reproduction, distribution and utilization of this document as well as the communication of its contents to others without express authorization is prohibited. Offenders will be held liable for the payment of damages. All rights reserved in the event of the grant of a patent, utility model or design.

NOTES:

- (A) 1 - CONTACT DEUBLIN OR VISIT WWW.DEUBLIN.COM FOR INSTRUCTION MANUAL: 040-561
- (A) 2 - ELBOW INCLUDED WITH UNION UNASSEMBLED.
- (A) 3 - TORQUE LUG PROVIDED FOR ANTI-ROTATION. DO NOT RESTRICT MOVEMENT OF UNION.



(A)

OPERATING DATA	
MEDIA	WATER
PRESSURE MAX.	10 bar
SPEED MAX.	750 min ⁻¹
TEMPERATURE MAX.	121 °C
DRY RUN (WITHOUT ANY MEDIA)	NO
RECOMMENDED FILTRATION	60 micron
FLOW MAX	1514 L/min
TORQUE	10.9 Nm

		PROJECTION:		SCALE: 1:2
		MATERIAL: INTERFACE CONTROL DRAWING		TITLE: DEUBLIN UNION
DRN.	09/05/02	NAME	LMG	NO. 6300-001-158
ENGR.				SHEET A2
APPD.				
A	SECD	62551	07/22	MTS
ISSUE	MODIFICATION	ECO	DATE	SIGN

UNLESS SPECIFICALLY TOLERANCED, ALL DIMENSIONS ARE CONSIDERED REFERENCE