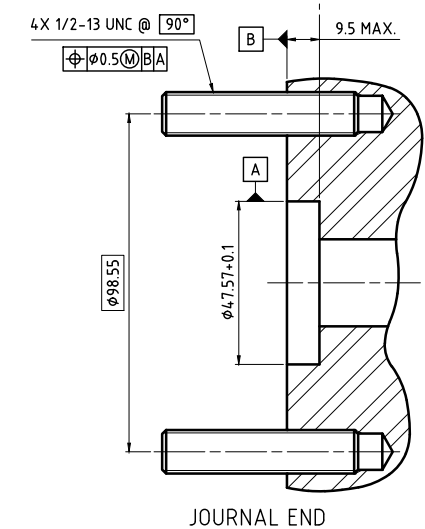
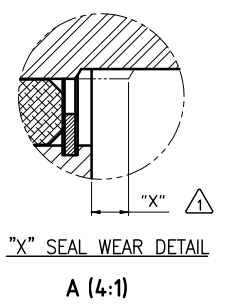
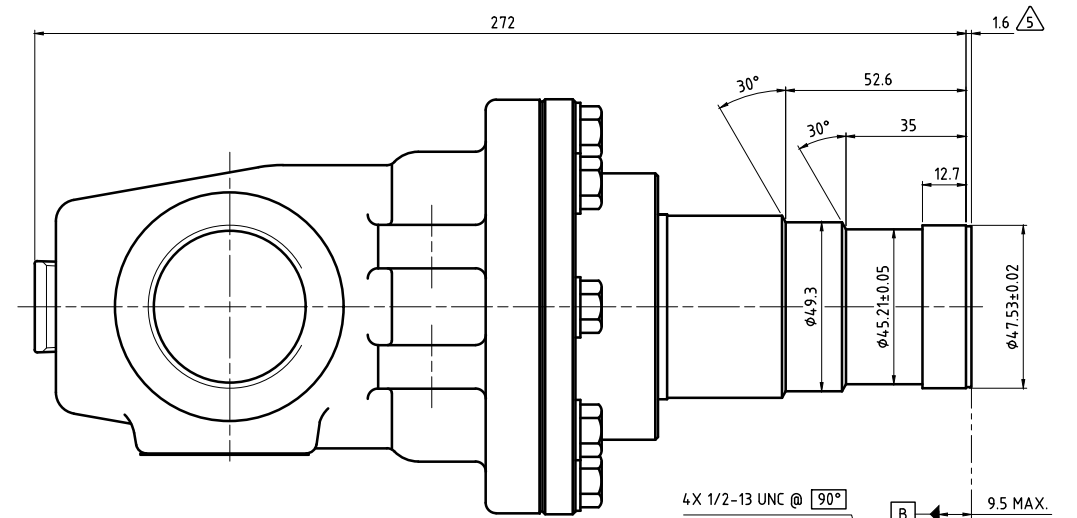
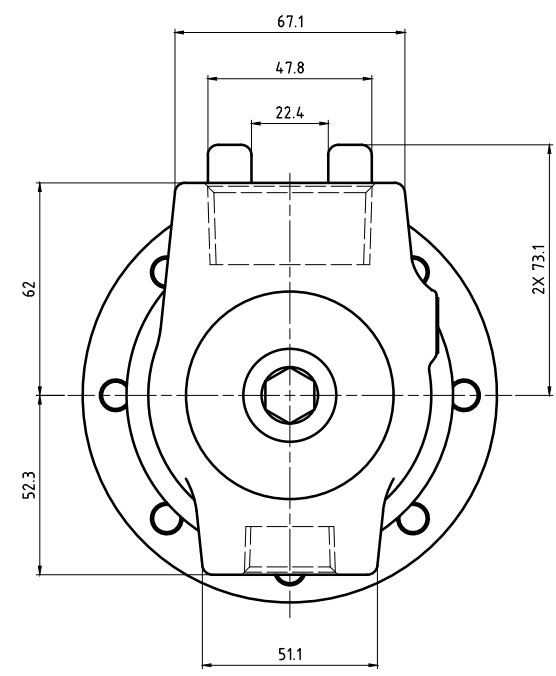
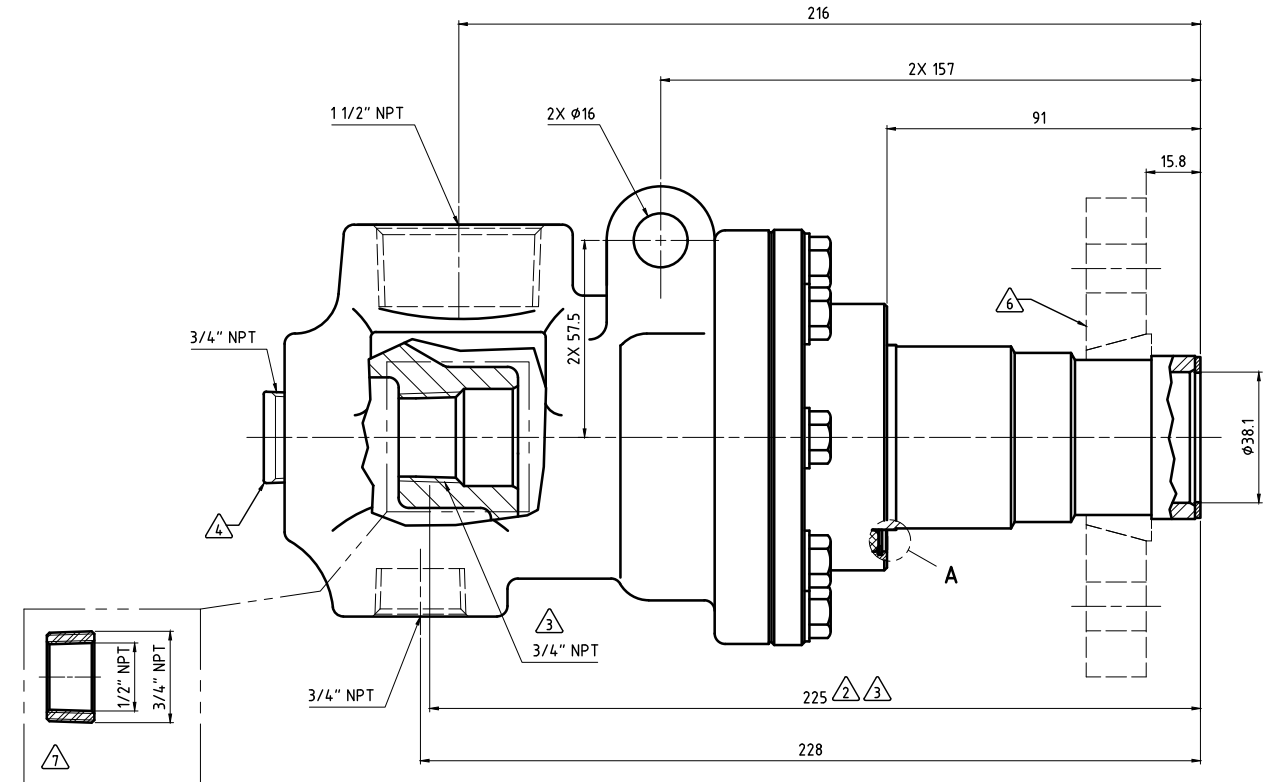
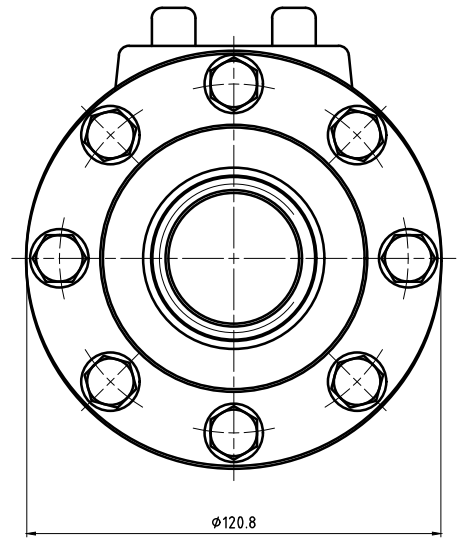


- NOTES:
- ⚠ - SEAL MUST BE REPLACED WHEN "X" DIMENSION EXCEEDS 6.3 mm. CONTACT DEUBLIN FOR APPROPRIATE SERVICE KIT.
 - ⚠ - PIPE LENGTH INTO UNION.
 - ⚠ - PIPE SUPPLIED BY CUSTOMER.
 - ⚠ - PLUG INSTALLED HAND TIGHT FROM FACTORY. IF PORT IS NOT UTILIZED, TIGHTEN BEFORE USE.
 - ⚠ - GASKET THICKNESS.
 - ⚠ - FLANGE PARTS SUPPLIED BY CUSTOMER; FLANGE KIT 10-64035-43 MAY BE PURCHASED SEPARATELY.
 - ⚠ - OPTIONAL SIPHON INSERT INCLUDED.



OPERATING DATA		
MEDIA		STEAM
PRESSURE	MAXIMUM	17.2 bar
TEMPERATURE	MAXIMUM	208 °C
SPEED	MAXIMUM	400 min ⁻¹
DRY RUN		NO

DEUBLIN
 Engineered for Performance

PROJECTION:	SCALE: 1:1
MATERIAL:	INTERFACE CONTROL DRAWING
TITLE:	UNION TYPE C FIXED SIPHON NPT PORTS 1 1/2" QC ROTOR
NO.:	BC-54000-24-62

UNLESS SPECIFICALLY TOLERANCED, ALL DIMENSIONS ARE CONSIDERED REFERENCE

DATE	NAME
11/07/17	N. Reyna
11/07/17	L. Freed

ISSUE/MODIFICATION ECD DATE SIGN