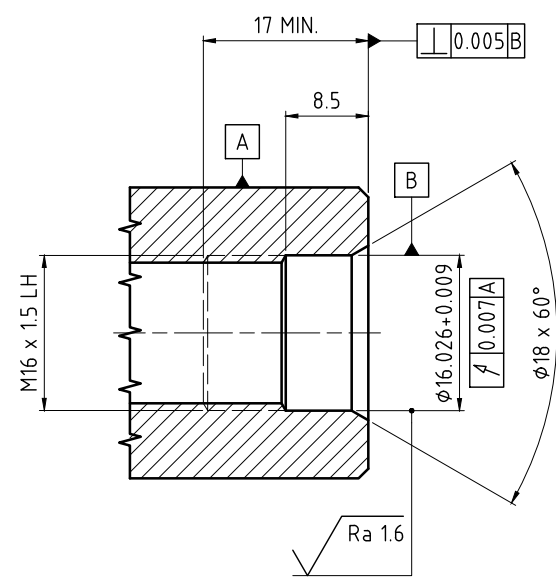
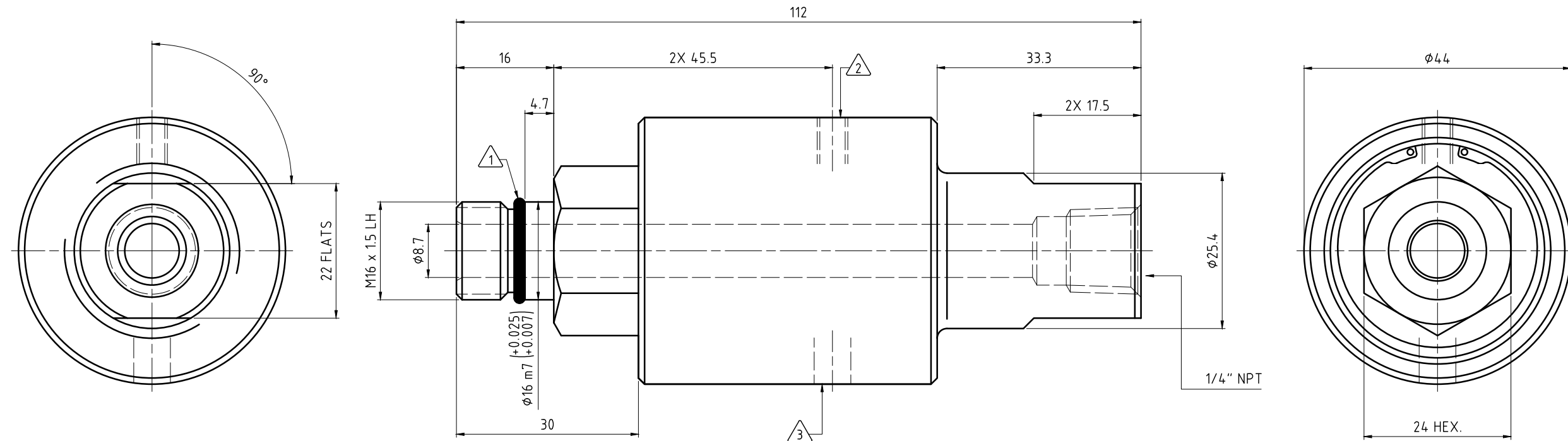


CONFIDENTIAL  
 THIS DOCUMENT CONTAINS CONFIDENTIAL AND PROPRIETARY  
 INFORMATION OF DEUBLIN COMPANY. COPYING, USE,  
 TRANSMISSION, DISTRIBUTION, AND DISCLOSURE ARE SUBJECT  
 TO THE TERMS AND CONDITIONS CONTAINED IN YOUR  
 AGREEMENT WITH DEUBLIN COMPANY. ALL RIGHTS RESERVED.

NOTES:

- ① - O-RING SEAL.
- ② - M5 x 0.8 VENT HOLE.
- ③ - Ø6 VENT HOLE.



OPERATING DATA	
MEDIA	COOLANT
MAX.PRESSURE	70 bar
MAX. SPEED	12000 1/min
MAX. TEMPERATURE.	70 °C
FILTRATION	60 µm

		PROJECTION: 	SCALE: 2:1 MATERIAL:
DATE: 01/27/10 NAME: GA		TITLE: <b>INTERFACE CONTROL DRAWING          DEUBLIN UNION 1116-315-143</b>	
NO. 1116-315-143		SHEET A2	
A ISSUE MODIFICATION	UPDATED TO MS 008758 ECO	1/10 DATE	GA SIGN
UNLESS SPECIFICALLY TOLERANCED, ALL DIMENSIONS ARE CONSIDERED REFERENCE			