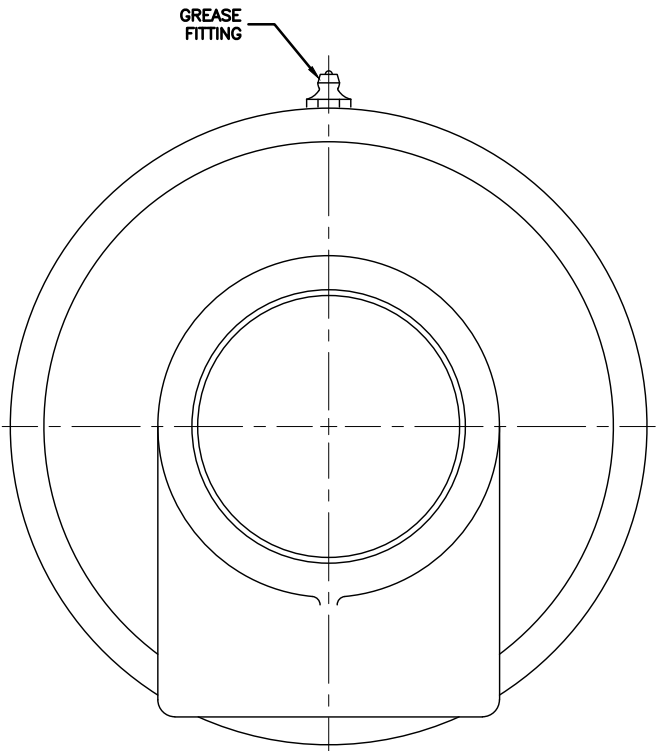
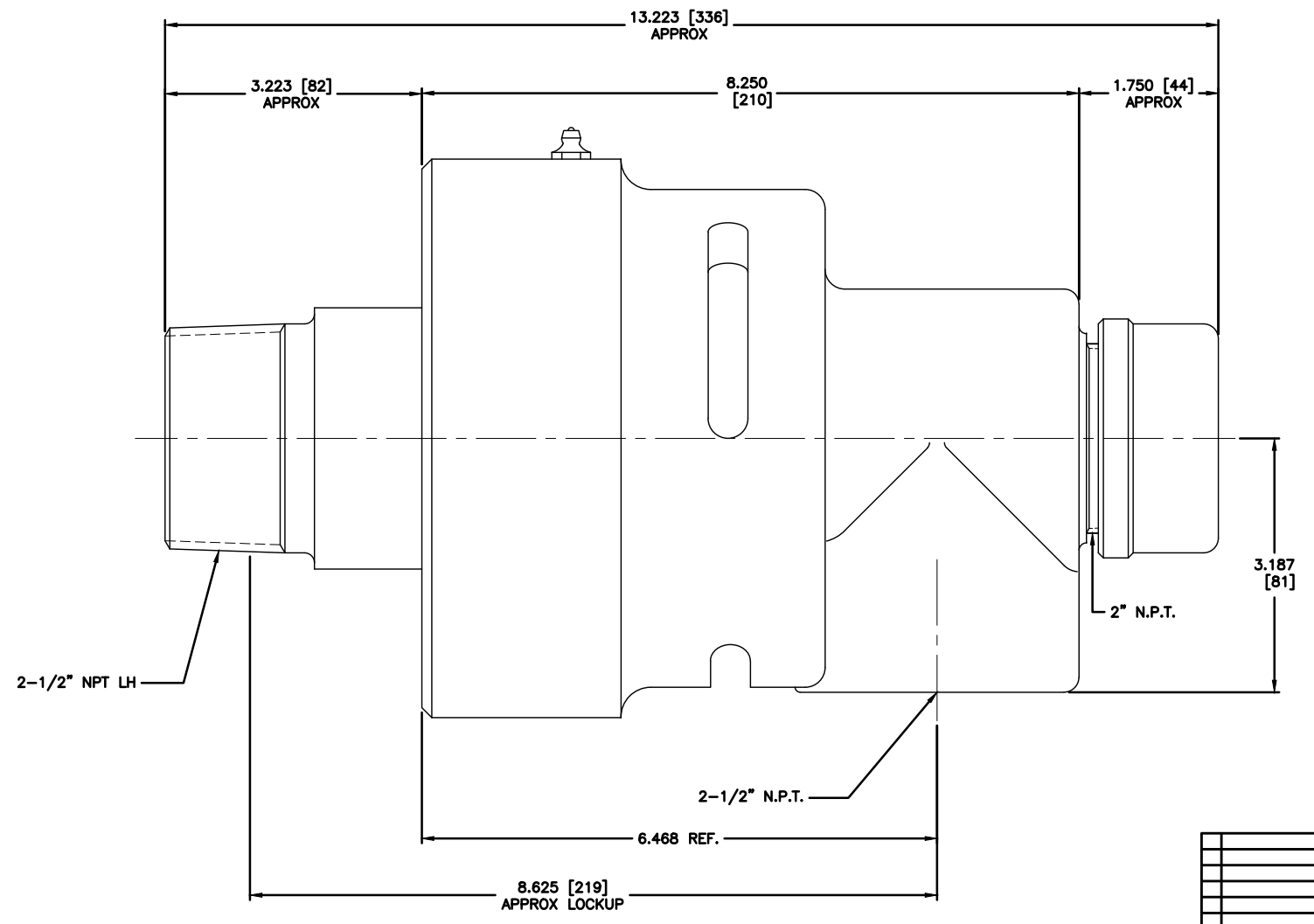
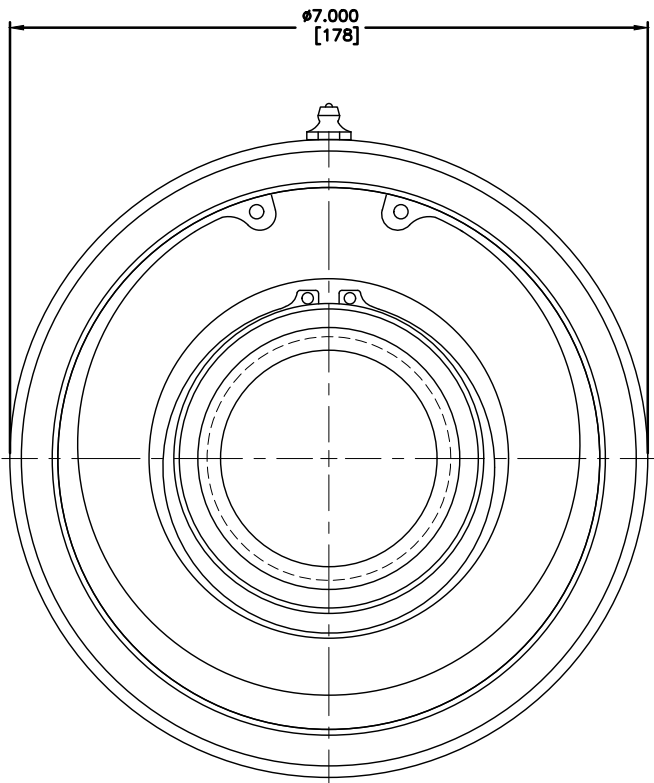
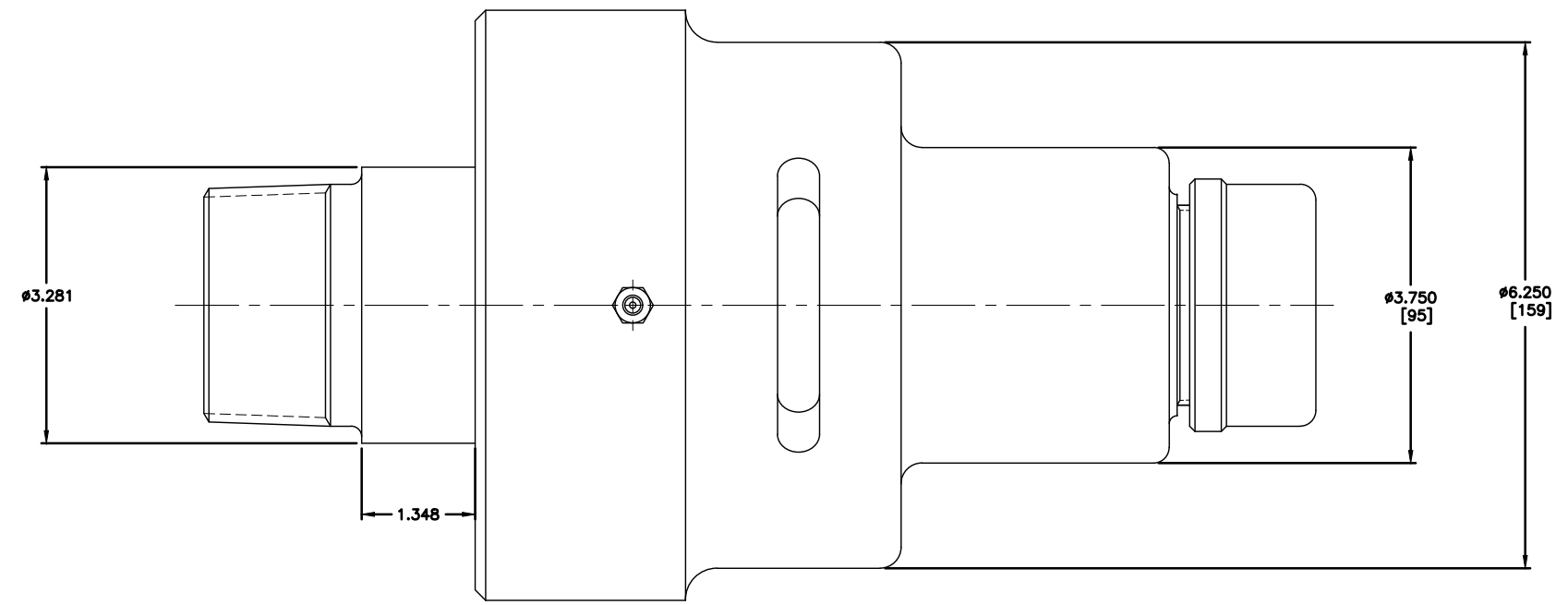


NOTES:  
1 - WHEN ORDERING FROM DEUBLIN USE PART NUMBER 755-700-415.



CONFIDENTIAL  
THIS DOCUMENT CONTAINS PROPRIETARY INFORMATION AND IS NOT TO BE TRANSMITTED, REPRODUCED, USED OR DISCLOSED TO ANYONE WITHOUT THE WRITTEN PERMISSION OF THE DEUBLIN COMPANY.

DEUBLIN COMPANY  
WAUKEGAN, ILLINOIS, U.S.A.

INTERFACE CONTROL  
DRAWING FOR DEUBLIN  
UNION 755-700-415

CAD DRAWING  
755-700-415-IC

| REV | DATE | BY | CHK | APP | DESCRIPTION |
|-----|------|----|-----|-----|-------------|
|     |      |    |     |     |             |
|     |      |    |     |     |             |
|     |      |    |     |     |             |
|     |      |    |     |     |             |
|     |      |    |     |     |             |
|     |      |    |     |     |             |
|     |      |    |     |     |             |
|     |      |    |     |     |             |
|     |      |    |     |     |             |
|     |      |    |     |     |             |
|     |      |    |     |     |             |
|     |      |    |     |     |             |

EQUIPMENT REF:  
ASSY/TEST FIXTURES REQUIRED:  
UNTOLERANCED DIMENSIONS ±.010  
DIMENSIONS AS SPECIFIED.  
DIMENSIONS IN [ ] ARE IN MILLIMETERS.