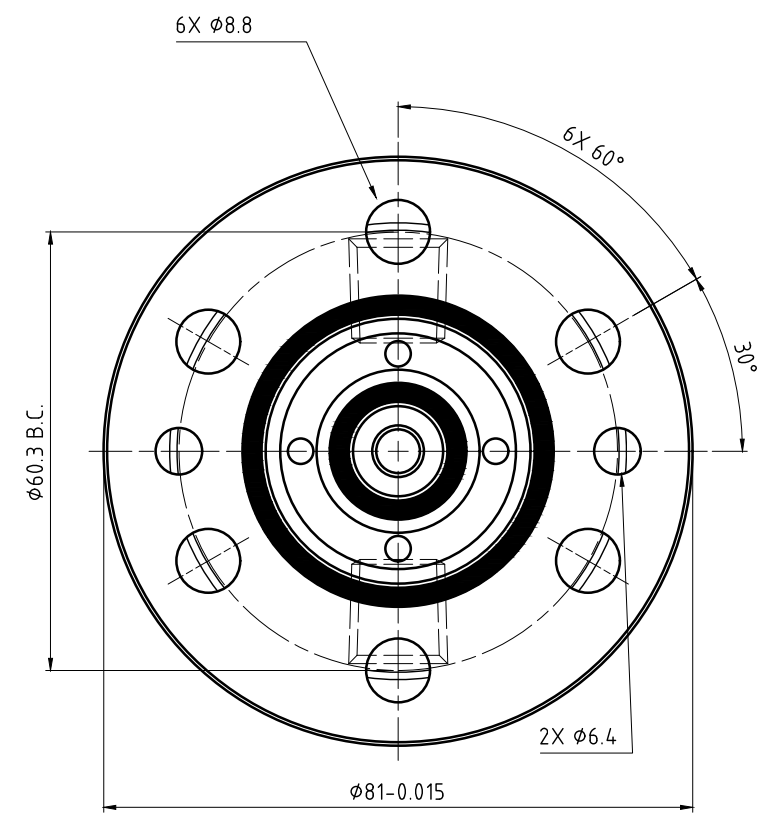
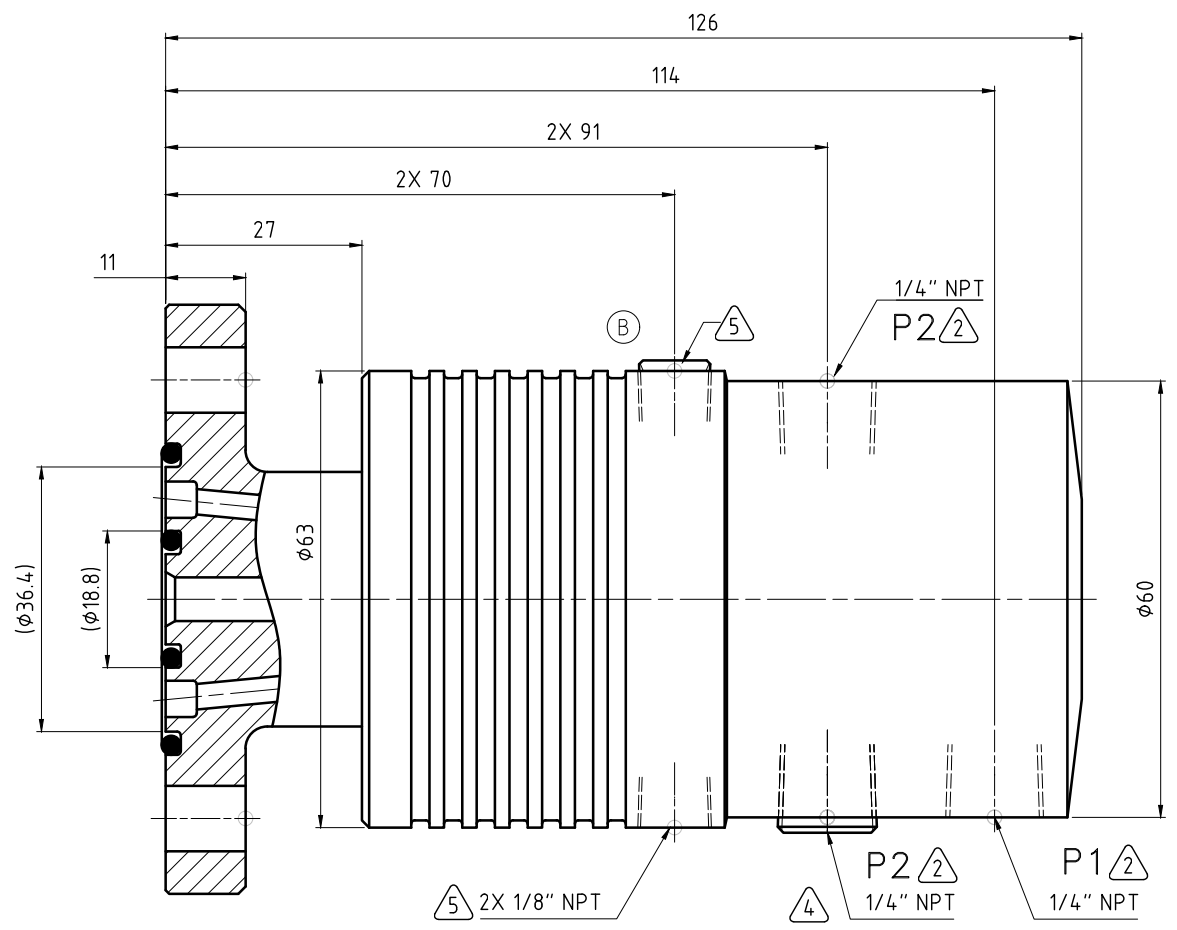


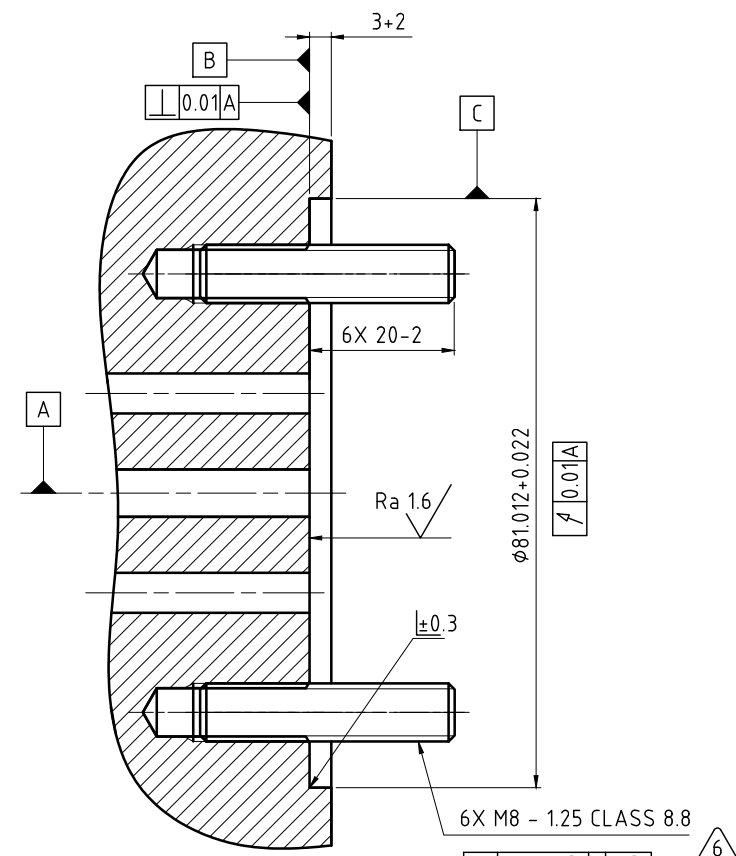
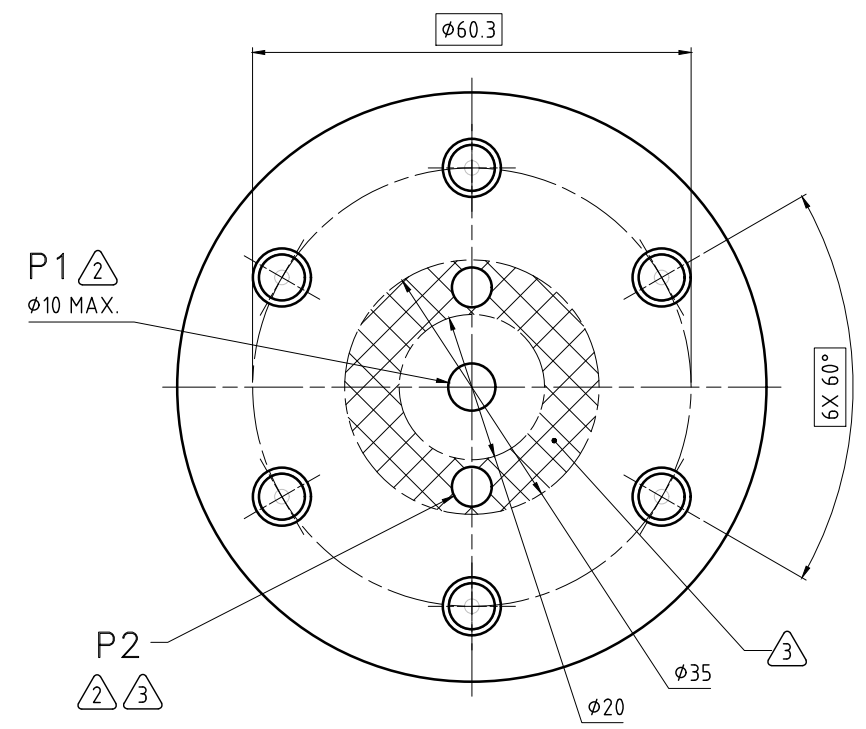
CONFIDENTIAL  
 THIS DOCUMENT CONTAINS CONFIDENTIAL AND PROPRIETARY  
 INFORMATION OF DEUBLIN COMPANY. COPYING, USE,  
 TRANSMISSION, DISTRIBUTION, AND DISCLOSURE ARE SUBJECT  
 TO THE TERMS AND CONDITIONS CONTAINED IN YOUR  
 AGREEMENT WITH DEUBLIN COMPANY. ALL RIGHTS RESERVED.

NOTES:

- 1 - WHEN ORDERING FROM DEUBLIN USE PART NUMBER: 2620-460-157.
- 2- SEE OPERATING DATA CHART FOR P1 AND P2 PASSAGE MEDIA.
- 3- P2 PASSAGES TO BE WITHIN AREA INDICATED AND SHOULD BE SYMMETRICAL. 2X  $\phi 4$  MIN. RECOMMENDED.
- 4- ALTERNATE P2 PASSAGE (PLUGGED).
- 5- DRAIN PORTS (QTY. 2)
- 6- TIGHTEN MOUNTING NUTS USING A CROSS PATTERN TIGHTENING SEQUENCE TO 30  $\pm 5$  N-m.



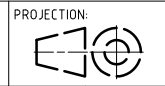
CUSTOMER INTERFACE



(C) OPERATING DATA

PASSAGE		P1 - INNER	P2 - OUTER
MEDIA		AIR	COOLANT
PRESSURE	MAXIMUM	10 bar	70 bar
	MINIMUM	-	-
FLOW RATE	MAXIMUM	30 L/sec	69 L/min
	MINIMUM	-	-
TEMPERATURE	MAXIMUM	71 °C	71 °C
	MINIMUM	5 °C	5 °C
MAXIMUM SPEED		12000/min	
DRY RUN		NO	

DEUBLIN COMPANY  
 WAUKEGAN, ILLINOIS, U.S.A.



SCALE: 1.5:1  
 MATERIAL:

ISSUE	MODIFICATION	ECO	DATE	SIGN	DRN.	ENGR.	APPD.	DATE	NAME
C	CORRECTED LIMITS	8735	11/07	JK	09/05/07				galindolm
B	ADDED DRAIN PLUG	8122	10/07	LG					
A	REV. & REDRAWN	8121	10/07	LG					

TITLE: DEUBLIN UNION 2-PASSAGE  
 AIR INNER / COOLANT OUTER

NO. 2620-460-157-IC

SHEET  
 A2

UNLESS SPECIFICALLY TOLERANCED, ALL DIMENSIONS ARE CONSIDERED REFERENCE