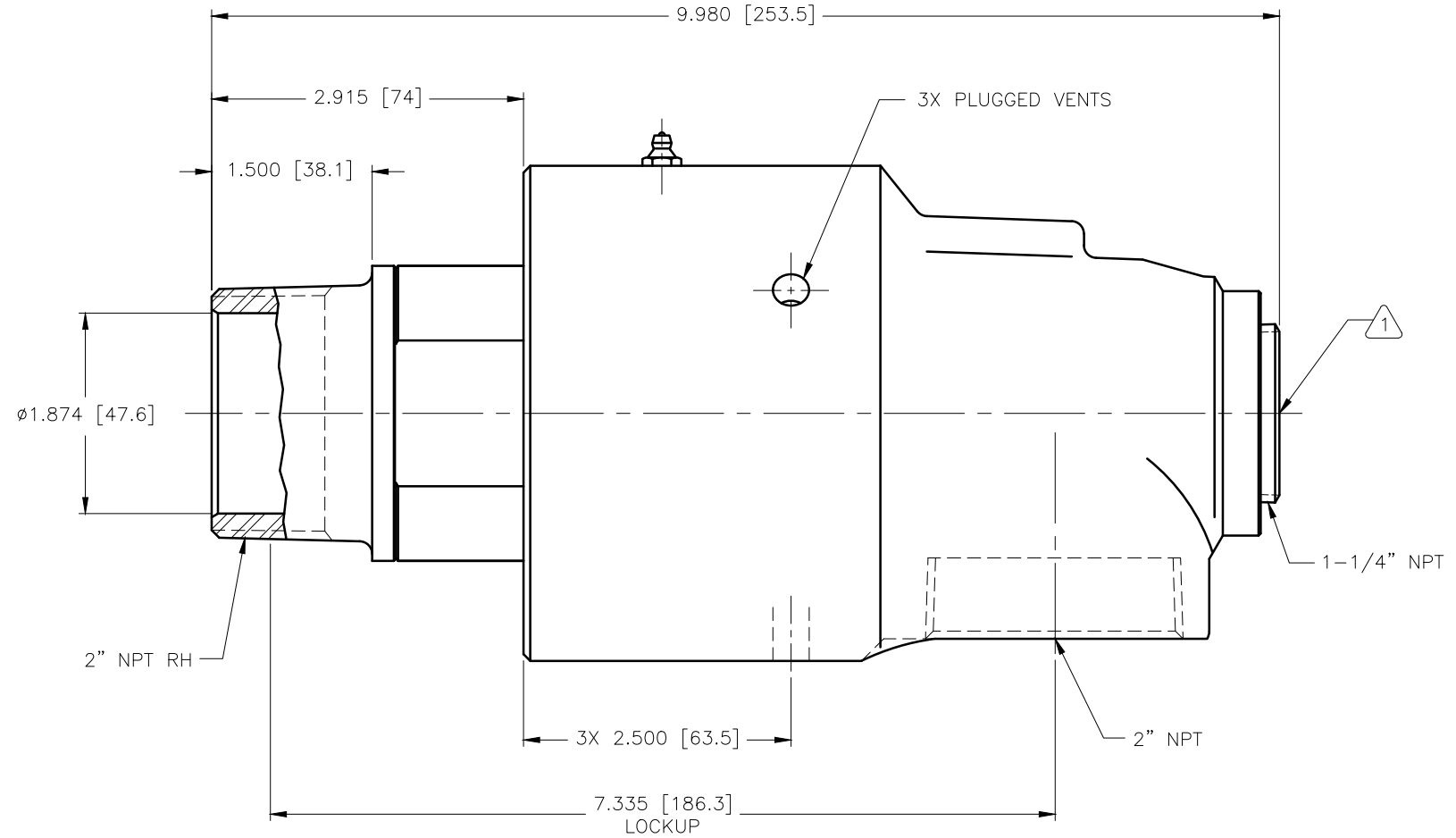
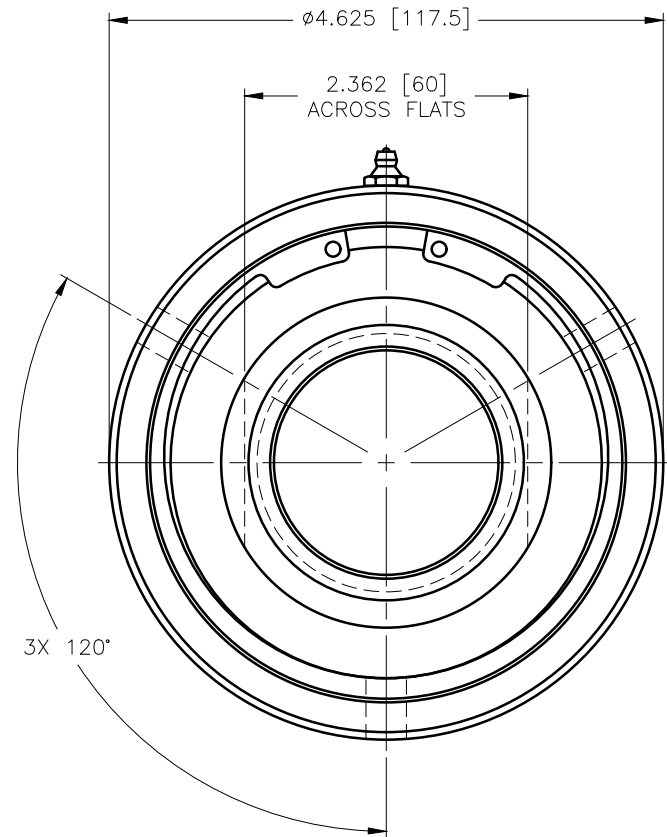
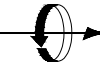


NOTES:

① - PLUG INSTALLED HAND TIGHT FROM FACTORY. IF PORT IS NOT UTILIZED, TIGHTEN BEFORE USE.

CONFIDENTIAL  
 THIS DOCUMENT CONTAINS CONFIDENTIAL AND PROPRIETARY INFORMATION OF DEUBLIN COMPANY. COPYING, USE, TRANSMISSION, DISTRIBUTION, AND DISCLOSURE ARE SUBJECT TO THE TERMS AND CONDITIONS CONTAINED IN YOUR AGREEMENT WITH DEUBLIN COMPANY. ALL RIGHTS RESERVED.



SCALE	1 = 1	DWG SIZE		UNLESS SPECIFICALLY TOLERANCED, ALL DIMENSIONS ARE REFERENCE	 <b>DEUBLIN COMPANY</b> WAUKEGAN, ILLINOIS, U.S.A.
DRN	NR	08/31/10			
ENGR	TW	08/31/10			
APPD	TW	08/31/10			
PART NO.	655-515-116			DIMENSIONS IN [ ] ARE IN MILLIMETERS.	TITLE: INTERFACE CONTROL DRAWING OF DEUBLIN UNION 655-515-116
CUSTOMER					
LET.	REVISION	ECO	DATE	SIGN	DWG NO. 655-515-116