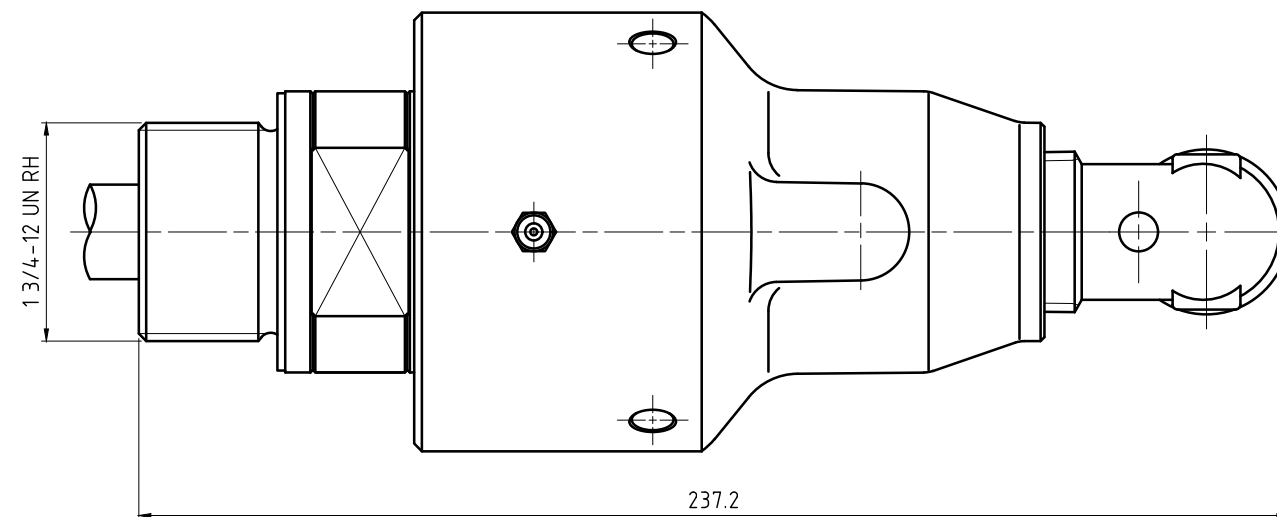
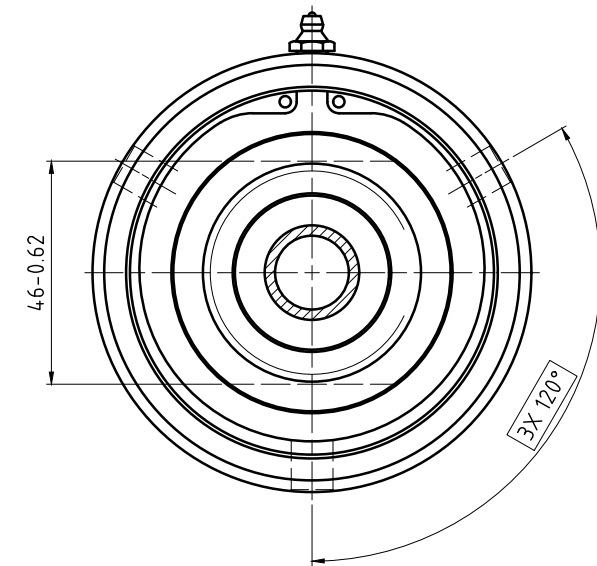
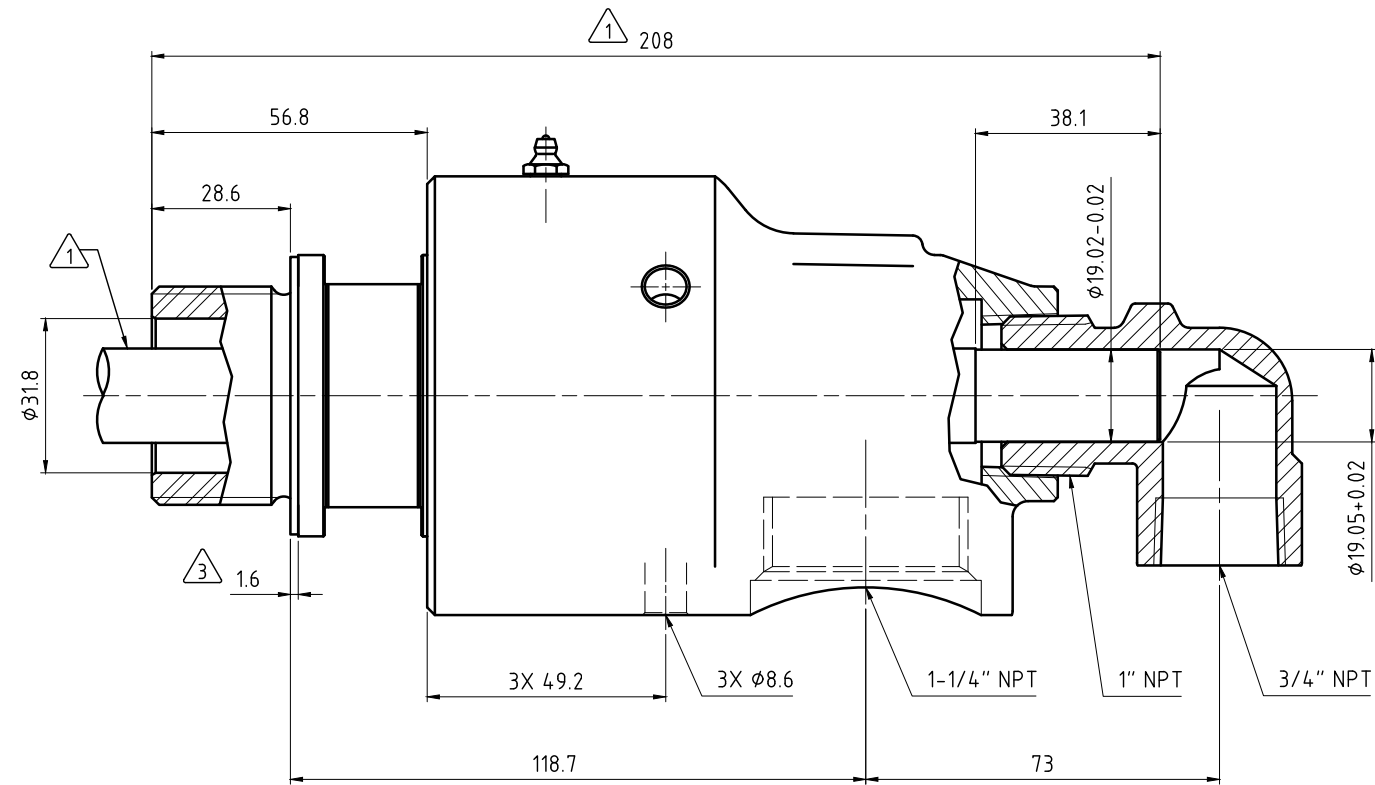
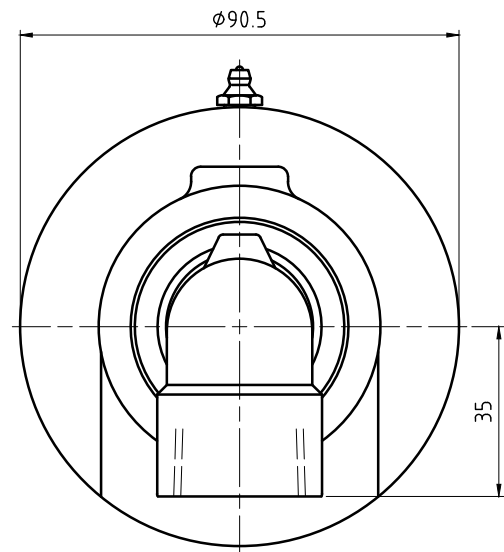


CONFIDENTIAL  
 THIS DOCUMENT CONTAINS CONFIDENTIAL AND PROPRIETARY INFORMATION OF DEUBLIN COMPANY. COPYING, USE, TRANSMISSION, DISTRIBUTION, AND DISCLOSURE ARE SUBJECT TO THE TERMS AND CONDITIONS CONTAINED IN YOUR AGREEMENT WITH DEUBLIN COMPANY. ALL RIGHTS RESERVED.

NOTES:

- ① - TUBE SUPPLIED BY CUSTOMER. TUBE SIZE: 3/4"
- ② - TUBE LENGTH.
- ③ - GASKET THICKNESS.



OPERATING DATA		
MEDIA	WATER	
MAX WATER PRESSURE	750 PSI	51 bar
MAX WATER TEMP.	250°F	121°C
MAX SPEED	1000 RPM	1000/min



PROJECTION:  SCALE: 1:1  
 MATERIAL: INTERFACE CONTROL DRAWING

DATE	NAME	TITLE
DRN. 03/06/12	N. Reyna	DEUBLIN UNION
ENGR. 03/06/12	S. Stasi	
APPD.		

ISSUE	MODIFICATION	ECO	DATE	NR	SIGN
A	REVISED OPERATING DATA	031835	02/15	NR	

NO. 525-000-026104 SHEET A2

UNLESS SPECIFICALLY TOLERANCED, ALL DIMENSIONS ARE CONSIDERED REFERENCE