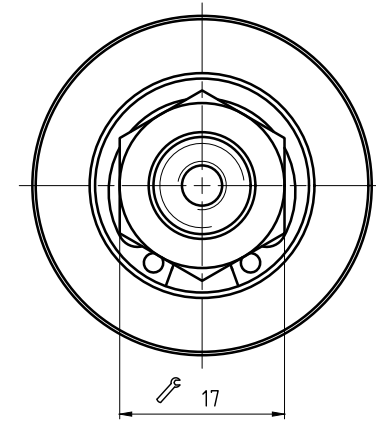
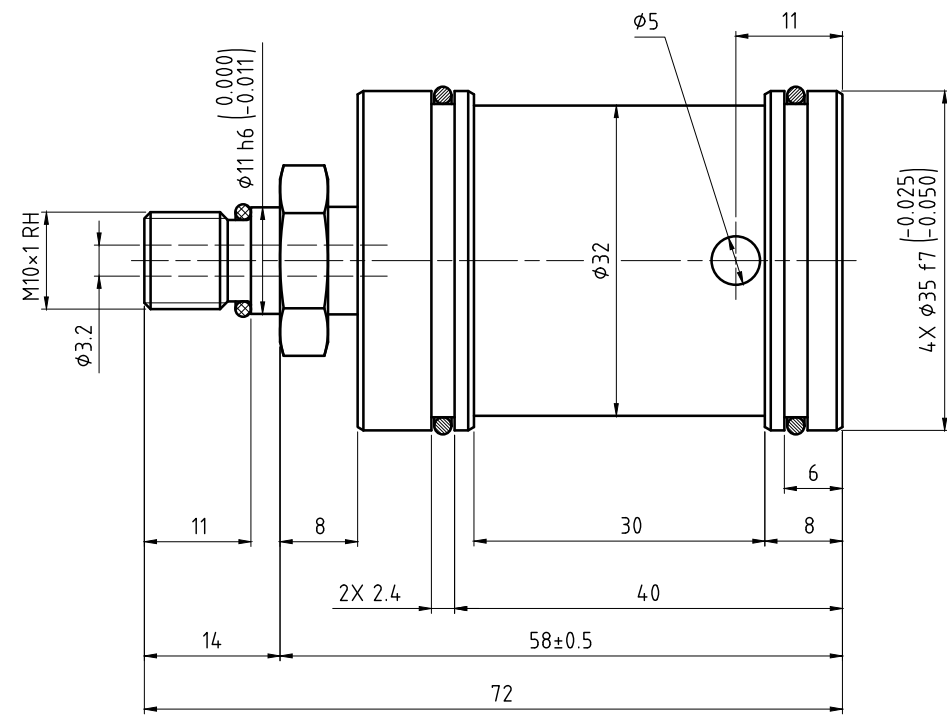
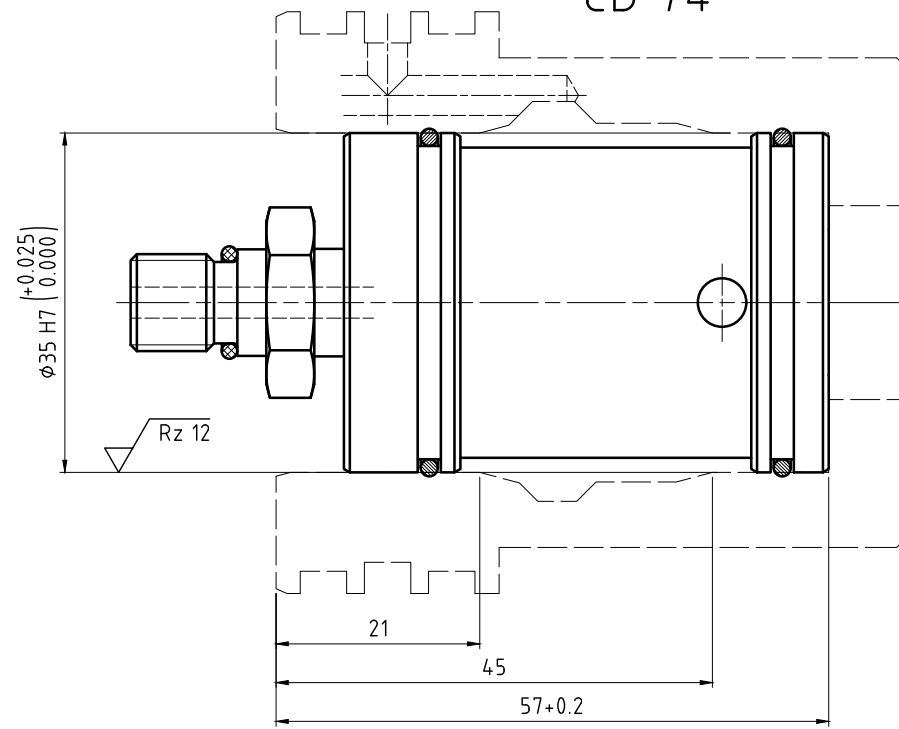


CONFIDENTIAL
 THIS DOCUMENT CONTAINS CONFIDENTIAL AND PROPRIETARY
 INFORMATION OF DEUBLIN COMPANY. COPYING, USE,
 TRANSMISSION, DISTRIBUTION, AND DISCLOSURE ARE SUBJECT
 TO THE TERMS AND CONDITIONS CONTAINED IN YOUR
 AGREEMENT WITH DEUBLIN COMPANY. ALL RIGHTS RESERVED.

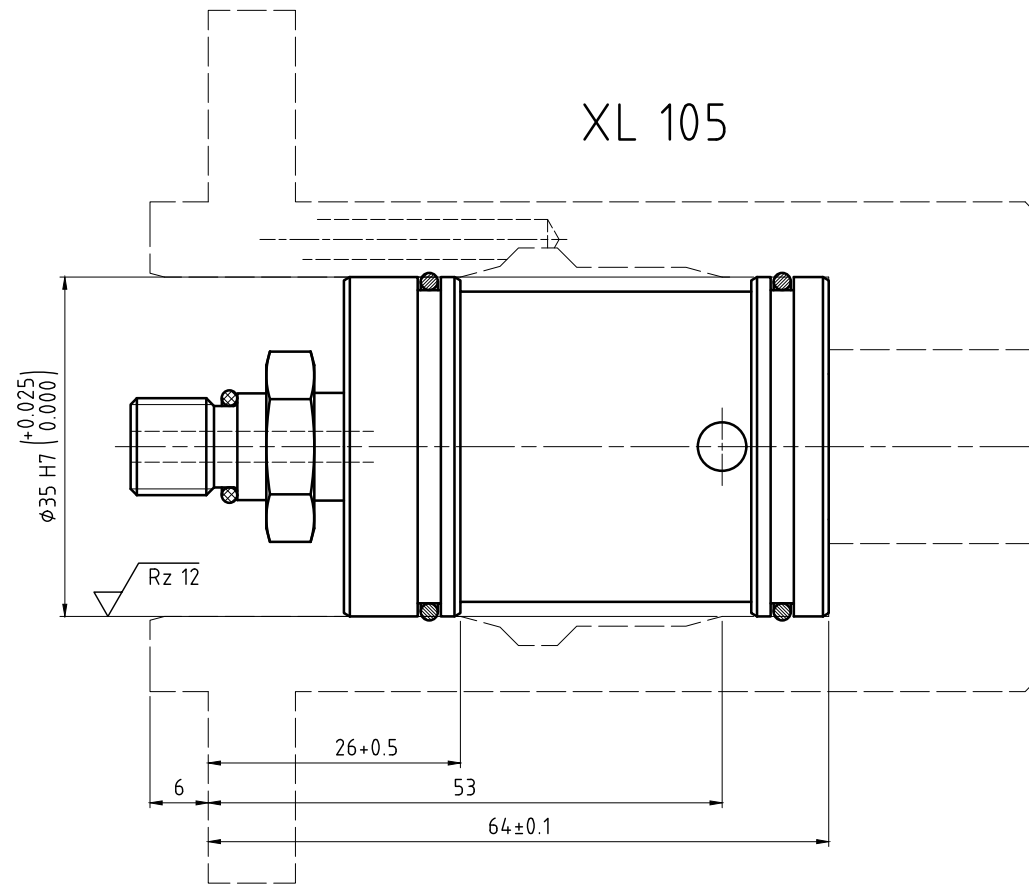
φ35	f7	+0.025 -0.050	34.975 34.950
φ35	H7	+0.025 0.000	35.025 35.000
φ11	h6	0.000 -0.011	11.000 10.989
Dimen.	Fit		

CUSTOMERS INTERFACE

CD 74



XL 105



OPERATING DATA	
MEDIA	DRY AIR
MAX. PRESSURE	7 bar
MAX. SPEED	1000 1/min
MAX. TEMPERATURE	80 °C
FILTRATION	40 μm



PROJECTION:		SCALE:	2:1
MATERIAL:	INTERFACE CONTROL DRAWING		
DATE	NAME	TITLE:	
DRN. 04/04/17	N. Reyna	DEUBLIN UNION	
ENGR. 04/04/17	T. Wilson		
APPD.			
UNLESS SPECIFICALLY TOLERANCED, ALL DIMENSIONS ARE CONSIDERED REFERENCE		NO.	1005-635-539
ISSUE	MODIFICATION	ECO	DATE
			SIGN
			SHEET A2