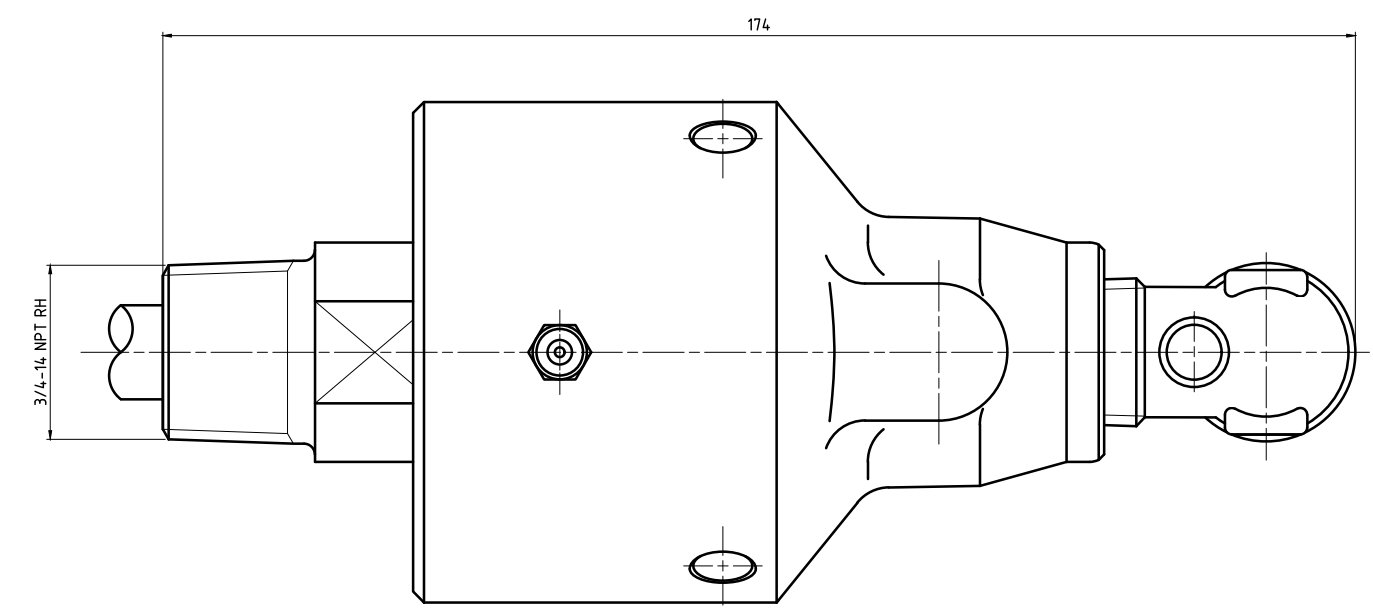
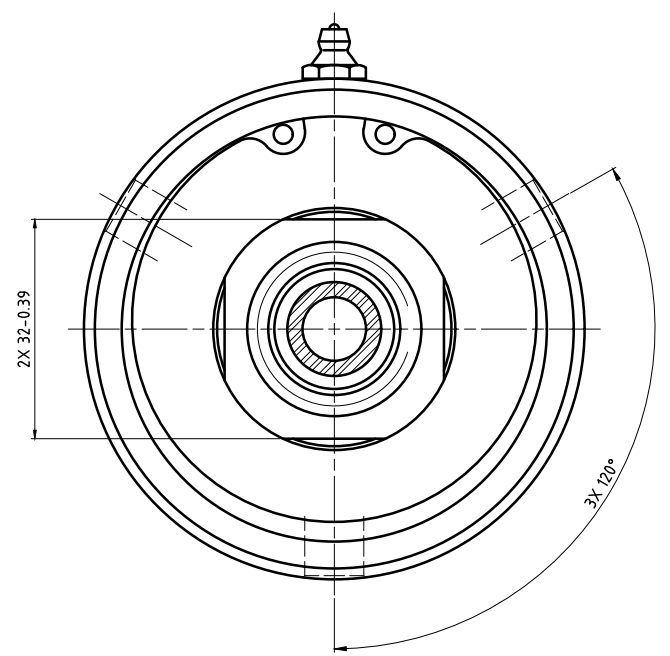
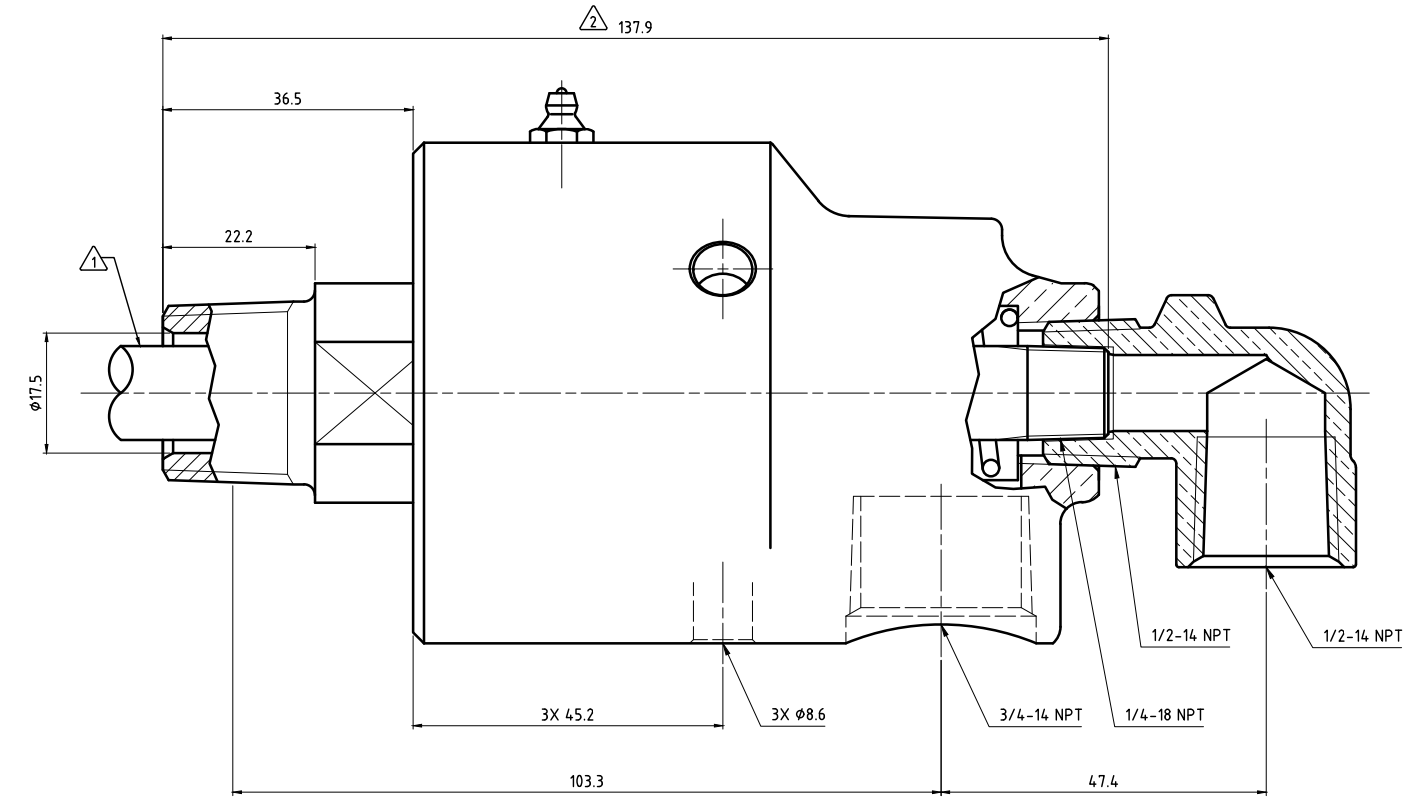
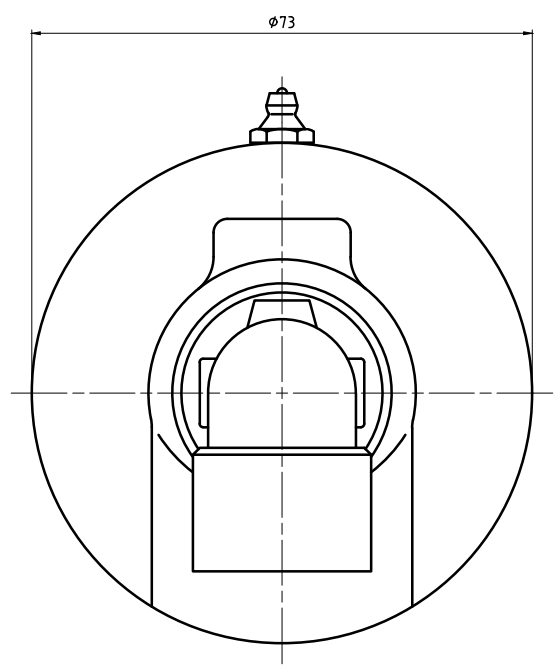


CONFIDENTIAL
 THIS DOCUMENT CONTAINS CONFIDENTIAL AND PROPRIETARY INFORMATION OF DEUBLIN COMPANY. COMPANY, USER, AND ALL RIGHTS RESERVED. THIS DOCUMENT IS TO BE USED IN ACCORDANCE WITH THE TERMS AND CONDITIONS CONTAINED IN YOUR AGREEMENT WITH DEUBLIN COMPANY. ALL RIGHTS RESERVED.

NOTES:
 1 - PIPE SUPPLIED BY CUSTOMER. PIPE SIZE: 1/8
 2 - PIPE LENGTH.



OPERATING DATA		
MEDIA	WATER	
MAX WATER PRESSURE	750 PSI	51 bar
MAX WATER TEMP.	250°F	121°C
MAX SPEED	1000 RPM	1000/min

	PROJECTION	SCALE: 2:1	
	MATERIAL: INTERFACE CONTROL DRAWING	TITLE: DEUBLIN UNION	
DRN: 02/11/15 N. Reyna	DATE	NAME	NO. 255-230-020043
ENGR: 02/11/15 T. Wilson			SHEET A2
APPD.			
UNLESS SPECIFICALLY TOLERANCED, ALL DIMENSIONS ARE CONSIDERED REFERENCE			
ISSUE/	MODIFICATION	ECO	DATE
			SIGN