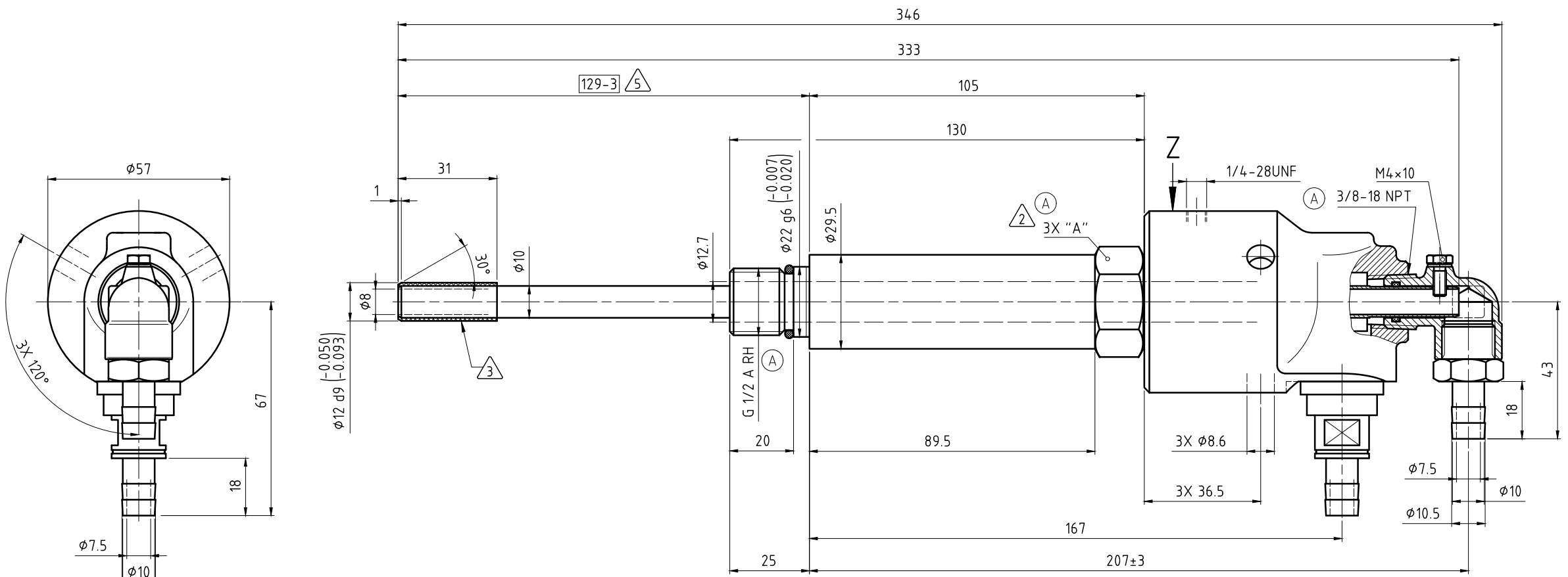
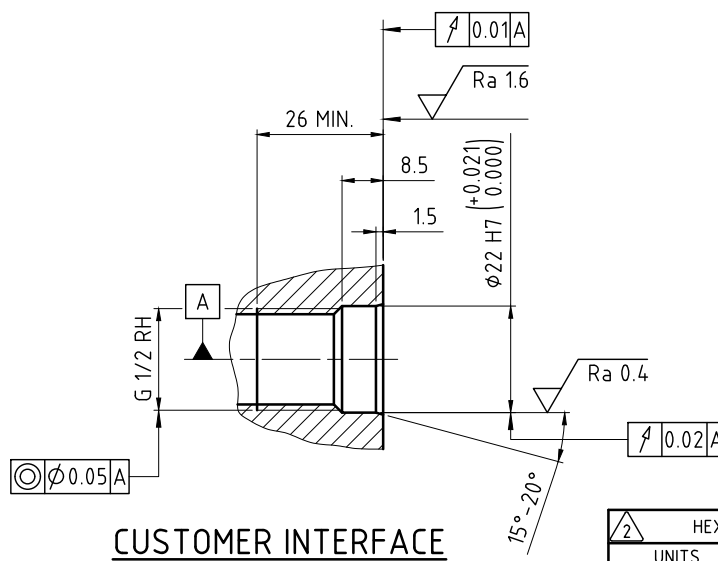
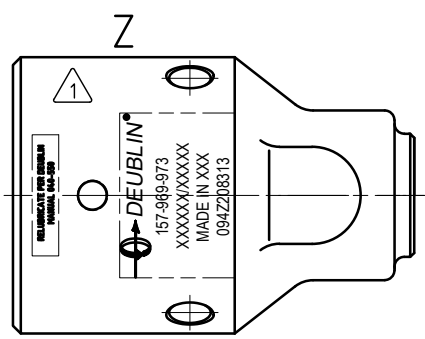


NOTES:

- 1 - CONTACT DEUBLIN OR VISIT WWW.DEUBLIN.COM FOR INSTRUCTION MANUAL: 040-550
- 2 - DEPENDING ON COUNTRY OF ORIGIN, HEX STOCK MAY VARY AS NOTED. SEE TABLE FOR ACCEPTABLE WRENCH SIZES.
- 3 - FLEXIBLE SIPHON PIPE WITH POLYAMID COATING.
- 4 - ELBOW AND TUBE FITTINGS SEALED WITH LOCTITE READY FOR INSTALLATION.
- 5 - CHECK DIMENSION BY ASSEMBLY.



MAN-Nr. 094Z208313 rolled up.



CUSTOMER INTERFACE

(A) OPERATING DATA	
MEDIA	WATER
PRESSURE MAX.	10 bar
SPEED MAX.	500 min <sup>-1</sup>
TEMPERATURE MAX.	90 °C
DRY RUN (WITHOUT ANY MEDIA)	NO
RECOMMENDED FILTRATION	60 micron

HEX SIZES		WRENCHES	
UNITS	"A"	30mm	1 1/8"
METRIC [mm]	30-0.13	✓	☒
IMPERIAL [in]	.125-0.006	✓	✓



PROJECTION:	SCALE: 1:1	MATERIAL:	INTERFACE CONTROL DRAWING
DATE	NAME	TITLE:	(A) DEUBLIN ROTATING UNION DEUBLIN Drehdurchführung
DRN: 03.06.2020	MSK	NO.	157-969-973
ENGR: 03.06.2020	RMika	SHEET	A2
APPD:			
UNLESS SPECIFICALLY TOLERANCED, ALL DIMENSIONS ARE CONSIDERED REFERENCE			

A	SEE ECO	60371	03/21	NR
ISSUE/MODIFICATION	ECO	DATE	DATE	SIGN